

## FEATURES & SPECIFICATIONS

### INTENDED USE

Ideal for a wide variety of low- to medium-height ceiling applications including commercial, retail and hospitality spaces where a baffled fixture is required.

### CONSTRUCTION

Utilizes an extruded socket housing that attaches to the reflector via keyhole mount, which provides superior heat dissipation and extended lamp life. Socket housing also adjusts to accommodate varying lamp lengths.

Galvanized steel mounting frame with mechanical trim retention (clips) ensures secure and flush reflector mounting to ceiling. Mounting frame has cutout section for remodel applications when installation from below is necessary.

Galvanized bar hangers span up to 24" o.c. and feature built-in T-bar clips and nailers for T-bar or wood joist installation.

Frames equipped with galvanized junction box UL Listed for through wire applications.

Maximum 1-1/2" ceiling thickness.

### OPTICS

Aluminum full reflectors are optically designed to maximize lumen output and to provide superior glare control. The black or white baffled reflectors have a semi-specular upper finish with a white painted flange standard.

### ELECTRICAL

Electronic ballast with end of lamp life protection standard. Class P thermally protected ballast protects against improper contact with insulation. Minimum starting temperature is 0°F/-18°C.

Rated for #12 AWG conductor thru-branch wiring. Minimum 90° supply wire. Ground wire provided.

### Lamp Socket Base:

DTT 4-pin lamps – 18W (G24Q-2); 26W (G24Q-3)

TRT 4-pin lamps – 18W (GX24Q-2); 26W & 32W (GX24Q-3); 42W (GX24Q-4); 57W (GX24Q-5)

### LISTINGS

Fixtures are UL Listed for thru-branch wiring, Non-IC recessed mounting, damp location, and to U.S. and Canadian Safety Standards.

Catalog Number
Notes
Type

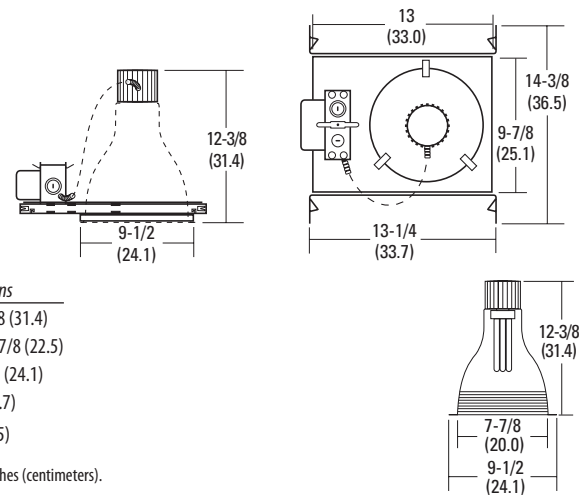
### Compact Fluorescent Downlighting

# 8" 8VF



### BAFFLE

Vertical 1-Lamp, Double Twin-Tube (DTT) or Triple-Tube (TRT)



### Specifications

- Max. height: 12-3/8 (31.4)
- Ceiling opening: 8-7/8 (22.5)
- Overlap trim: 9-1/2 (24.1)
- Length: 13-1/4 (33.7)
- Width: 14-3/8 (36.5)

All dimensions are inches (centimeters).

### ORDERING INFORMATION

For shortest lead times, configure products using **bolded options**.

**Example: 8VF 26-42TRT 8B3 MVOLT**

8VF Series	Wattage/Lamp	Reflector <sup>3</sup>	Voltage	Options <sup>6</sup>
<b>8VF</b>	18DTT 26DTT 18TRT <b>26-42TRT<sup>1</sup></b> 26TRT 32TRT 42TRT 57TRT <sup>2</sup>	<b>8B3 Black baffle</b> <b>8B3W White baffle</b>	<b>MVOLT<sup>4</sup></b> 120 277 347 <sup>5</sup>	ADEZ Advance Mark 10™ electronic dimming ballast, 120V or 277V. Minimum dimming level 5%. Must be voltage specific. ECOS Lutron EcoSystem electronic dimming ballast, 120V-277V. Must be wattage specific. Minimum dimming level 5%. <b>EL Emergency PSDL3 DL battery pack with integral test switch<sup>7</sup></b> <b>ELR Emergency PSDL3 DL battery pack with remote test switch<sup>7</sup></b> ELHL IOTA I-420-R high lumen output emergency battery pack. Integral test switch provided. Maximum average lumen output 1300 (42W). <sup>8</sup> ELRHL IOTA I-420-EM-B high lumen output emergency battery pack. Remote test switch provided. Maximum average lumen output 1300 (42W). <sup>8</sup> GMF Single slow-blow fuse, must specify voltage BDP Ballast disconnect plug (meets codes that require in-fixture disconnect) <sup>5</sup> WLP 35K lamp (shipped separately) RIF1 Radio interference filter

Accessories: Order as separate catalog number.	
SCA8	Sloped ceiling adaptor. Degree of slope must be specified (10D, 15D, 20D, 25D, 30D) Ex: SCA8 10D.
CTE8	Ceiling thickness extender is used when ceiling thickness is greater than 1-1/2 (3.8). Maximum thickness 2 (5.1).

### Notes

- Not available with ECOS or WLP.
- Not available with 347V, ECOS, EL or ELR.
- White painted flange standard.
- Electronic multi-volt ballast capable of operating any line voltage from 120-277V, 50 or 60Hz.
- Not available with EL or ELR.
- For **additional options**, see [www.lithonia.com](http://www.lithonia.com).
- Add 3" (7.6) to width and 4-1/2" (11.4) to length.
- Not recommended for field installation.

# 8" 8VF Vertical 1-Lamp, Double Twin-Tube (DTT) or Triple Tube (TRT), Baffle

Distribution Curve	Distribution Data	Output Data	Coefficient of Utilization	Illuminance Data at 30" Above Floor for a Single Luminaire															
<b>8VF 32TRT 8B3 MVOLT, (1) 32W TRT lamp, .93 s/mh, 2400 rated lumens, test no. LTL9954</b>																			
	From 0°	cp.	Zone	Lumens	%lamp	rf	20%												
						rc	80%		70%		50%								
						rvw	50%	30%	50%	30%	50%	30%	Mount height	Initial fc at beam center	50% Beam angle 49.7°		10% Beam angle 87.1°		
															Beam diameter	fc at beam edge	Beam diameter	fc at beam edge	
		0°	1101	0°-30°	734	30.6	0	.62	.62	.60	.60	.57	.57	8'	36.4	5.1'	18.2	10.5'	3.6
		5°	1167	0°-40°	1053.1	43.9	1	.57	.56	.56	.55	.54	.53	10'	19.6	6.9'	9.8	14.3'	2.0
		15°	1026	0°-60°	1237.5	51.6	2	.53	.50	.52	.50	.50	.48	12'	12.2	8.8'	6.1	18.1'	1.2
		25°	733	0°-90°	1241.7	51.7	3	.49	.46	.48	.45	.47	.45	14'	8.3	10.7'	4.2	21.9'	0.8
		35°	513	90°-180°	0	0.0	4	.45	.42	.45	.42	.43	.41	16'	6.0	12.5'	3.0	25.7'	0.6
		45°	235	0°-180°	1241.7	51.7*	5	.42	.39	.24	.38	.41	.38						
		55°	5	* Efficiency			6	.39	.36	.39	.36	.38	.35						
	65°	2				7	.36	.33	.36	.33	.35	.33							
	75°	1				8	.34	.31	.34	.31	.33	.30							
	85°	1				9	.32	.29	.32	.29	.31	.28							
	90°	0				10	.30	.27	.30	.27	.29	.26							



8VF-BAFFLE-1-TRT-DTT