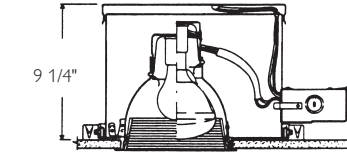
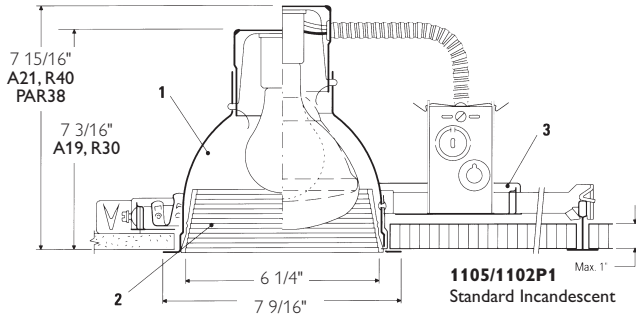
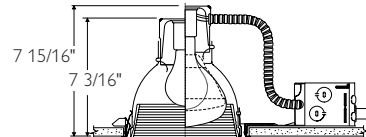


6 3/4" Aperture Step Baffle Reflector Trim



1105/1100 DEEP IC Series
Incandescent Insulated Ceiling



1105/1103R
LyteFining™
Non-IC Remodeler Ring

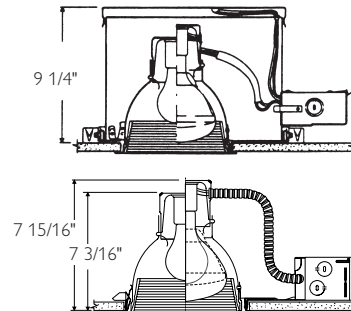
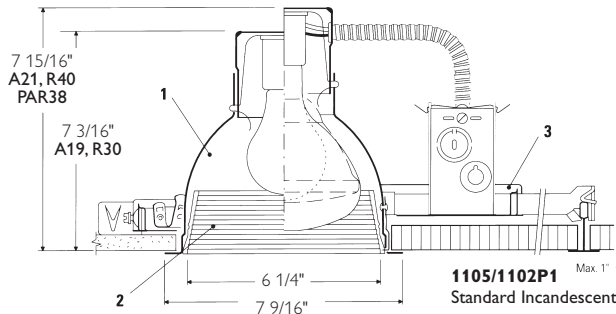
Complete Fixture consists of Reflector Trim & Frame-In Kit. Select each separately.

Reflector Trim	Frame-In Kit — See Individual Frame-In Kit Specification Sheets							
1105 Matte Black	LED				Incandescent			
	Frame-In Kit	Installation Type	Lamping	Height	Frame-In Kit	Ceiling Type	Lamping	Height
1105BNM Natural Metal™ baffle Natural Metal flange	1101LED	Non-IC	LED	7 1/2"	1104IC/N 1104ICR	AirSeal® IC IC Remodeler	40W A19	7 1/2"
	1101LEDEM	Non-IC EM	LED	7 1/2"			75W PAR38, BR30	7 1/2"
1105NM Matte Black with Natural Metal™ flange	1100LEDREM	Non-IC Remodeler	LED	7 1/2"	1104IC/N 1104ICR	Non-IC Non-IC Remodeler	75W A19	7 1/2"
	L56LED	Non-IC Retrofit	LED	7 1/2"			90W PAR38	7 1/2"
1105WH Matte White	Incandescent				Fluorescent			
	Frame-In Kit	Installation Type	Lamping	Height	Frame-In Kit	Installation Type	Lamping	Height
	1102P1 1103R	Non-IC Non-IC Remodeler	100W A19	7 3/16"	1101F18U Series	UniFrame™ Non-IC	(1) Quad/Triple 18W (GX24q-2)	7 1/16" max.
			150W A21, PAR38 BR40	7 15/16"				
	1100DICM	Deep IC	60W A19	9 1/4"	Fluorescent continued on page 2			
	1100DAICM	Deep AirSeal®	100W PAR38	9 1/4"				
1100IC	IC	100W BR40	7 5/16"					
1100AICM	IC AirSeal® IC		7 1/2"					
1104ICX/N	AirSeal® IC	100W PAR38 100W BR40 60W A19	7 1/4"					

† Use Upper Slot for 26W Quad Lamp

Job Information	Type:
Job Name:	
Cat. No.:	
Notes:	

6 3/4" Aperture Step Baffle Reflector Trim



1105/1100 DEEP IC Series
Incandescent Insulated Ceiling

1105/1103R
Lyte[®]ning™
Non-IC Remodeler Ring

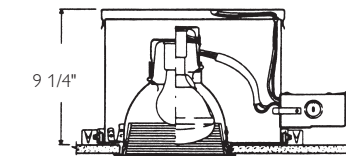
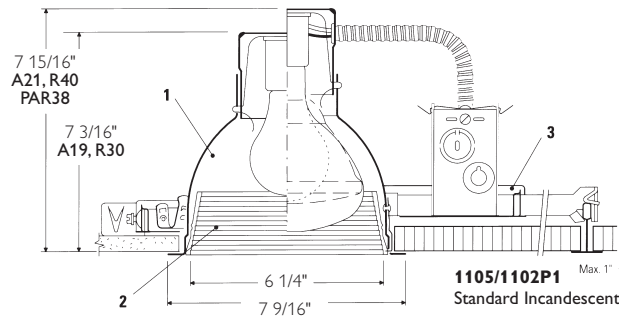
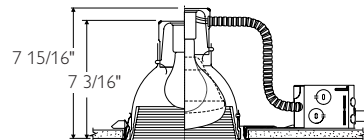
Complete Fixture consists of Reflector Trim & Frame-In Kit. Select each separately.

Reflector Trim	Frame-In Kit — See Individual Frame-In Kit Specification Sheets			
	Fluorescent			
1105 Matte Black	Frame-In Kit	Installation Type	Lamping	Height
1105BNM Natural Metal™ baffle Natural Metal flange	1101F2642U Series	UniFrame™ Non-IC	(1) Triple 26/32W (GX24q-3)	7 1/16" max. 7 3/16"
	1100FTU Series	Non-IC		
1105NM Matte Black with Natural Metal™ flange	1104F13 Series	IC	(1) Quad/Triple 13W (GX24q-1)	7 1/2"
	1104F13 Series	IC	(1) Quad/Triple 13W (GX24q-1)	7 1/2"
1105WH Matte White	1104F18 Series	IC	(1) Quad/Triple 18W (GX24q-2)	7 1/2"
	1104F26† Series	IC	(1) Quad/Triple 26W (GX24q-3)	7 1/2"
	1100AICMFT	AirSeal® IC	(1) Triple 26/32W (GX24q-3)	6 7/8"
	1101F18ICU/N	Performance IC	(1) Quad/Triple 18W (GX24q-2)	7 1/4"
	1101F2642ICU	Performance IC	(1) Triple 26W (GX24q-3)	7 1/4"
	1101F2642IUN			
	1101FDICMX1/N	Performance IC Advance Mark10 Dimming 120v	(1) Triple 26W (GX24q3)	7 1/4"
	1101FDICMX2/N	Performance IC Advance Mark10 Dimming 277v	(1) Triple 26W (GX24q-3)	7 1/4"
	1910XFH1	Conversion Kit	(1) Quad 13W (GX23-2)	7 3/16"
	1910XDH1	Conversion Kit	(2) Quad 13W (GX23-2)	7 3/16"

Job Information Type:

6 3/4" Aperture Step Baffle Reflector Trim

Page 3 of 4

1105/1100 DEEP IC Series
Incandescent Insulated Ceiling1105/1103R
LyteKning™
Non-IC Remodeler Ring**Features**

- 1. Reflector:** Hydroformed aluminum, .040" minimum thickness; anobrite semi-specular finish for permanent reflectivity; matte white or Natural Metal™ trim flange.
- 2. Step Baffle:** Aluminum step baffle, painted or anodized finish.
- 3. Frame-In Kit:** (1102P1 standard frame shown). Other frames listed above and shown on the right. See Frame-In Kit specification sheets for more details.

Options & Accessories

Lytegems®: See or 1500 Series specification sheets.

Retaining Clips: 1955 - For Installing in Existing Ceiling

Extra Wide Flange Trim Ring: 1954 - 8-5/8" O.D

Spread Lens: L56WWLENS - Proprietary spread lens for use with combination of wall washer optics and LED Frame-In Kits.

Labels

UL (Suitable for Damp Locations), I.B.E.W.

Job Information	Type:
------------------------	--------------

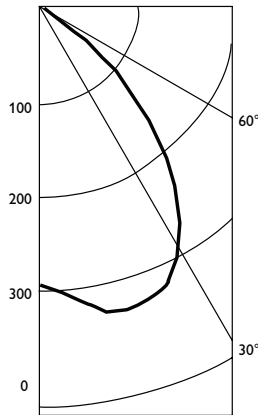
PHILIPS

LIGHTOLIER

6 3/4" Aperture Step Baffle Reflector Trim

Certified Test Report No. 2183

Computed by LSI Program **TEST-LITE** Recessed Lytecaster Downlight 6 1/2" Dia. Aperture, Matte Black Step Baffle Two 13W DTT Lamps, Lumen Rating = 860 LMS.



Angle	Mean CP
0	298
5	308
10	326
15	335
20	330
25	318
30	293
35	256
40	207
45	156
50	109
55	67
60	32
65	10
70	2
75	0
80	0
85	0
90	0

Zonal lumens and percentages			
Zone	Lumens	%Lamp	%Luminaire
0-30	269	15.65	43.00
0-40	428	24.89	68.38
0-60	611	35.57	97.73
0-90	626	36.40	100

****Efficiency = 36.4%**

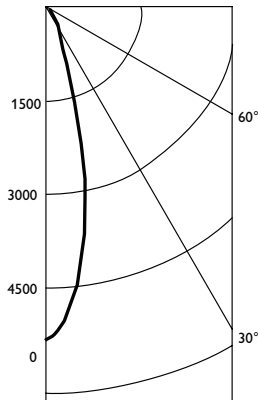
Tested according to IES Procedures.
Test distance exceeds five times the greatest luminous opening of luminaire.

		Coefficients of utilization									
		80%			70%			50%		0%	
Ceiling	Wall	50	30	10	50	30	10	50	30	10	0
20% Floor Cavity Reflectance											
Room Cavity Ratio	1	.40	.39	.38	.39	.38	.38	.38	.37	.36	.34
	2	.37	.35	.34	.36	.35	.34	.35	.34	.33	.31
	3	.34	.32	.30	.33	.32	.30	.32	.31	.30	.28
	4	.31	.29	.27	.31	.29	.27	.30	.28	.27	.28
	5	.29	.26	.24	.28	.26	.24	.28	.26	.24	.23
	6	.26	.24	.22	.26	.24	.22	.25	.23	.22	.21
	7	.24	.21	.20	.24	.21	.20	.23	.21	.20	.19
	8	.22	.20	.18	.22	.19	.18	.21	.19	.18	.17
	9	.20	.18	.16	.20	.18	.16	.20	.17	.16	.15
	10	.18	.16	.14	.18	.16	.14	.18	.16	.14	.14

Conversion Factors: 2 Lt. 13W Quad Tube:White, C.U. x 1.25. 1 Lt. 13W Quad Tube: Black, C.U. x 1.3; White, C.U. x 1.5. 150W A21: Black, C.U. x 1.25; White, C.U. x 1.7. 100W A19: Black, C.U. x 1.25; White C.U. x 1.7.
The coefficients of utilization remain the same.

Certified Test Report No. 2108

Computed by LSI Program **TEST-LITE** Recessed Lytecaster Downlight 6 1/4" Dia. Aperture, Matte Black, Black Step Baffle One 150W PAR38 Flood Lamp. Lumen Rating = 1740 LMS.



Angle	Mean CP
0	5295
5	4790
10	3537
15	2043
20	1014
25	544
30	351
35	207
40	94
45	22
50	3
55	0
60	0
65	0
70	0
75	0
80	0
85	0
90	0

Zonal lumens and percentages			
Zone	Lumens	%Lamp	%Luminaire
0-30	1335	77	89.13
0-40	1470	84.48	98.13
0-60	1498	86.10	100
0-90	1498	86.10	100

****Efficiency = 86.1%**

Tested according to IES Procedures. Test distance exceeds five times the greatest luminous opening of luminaire.

		Coefficients of utilization									
		80%			70%			50%		0%	
Ceiling	Wall	50	30	10	50	30	10	50	30	10	0
20% Floor Cavity Reflectance											
Room Cavity Ratio	1	.98	.96	.95	.96	.95	.93	.93	.92	.91	.84
	2	.94	.92	.89	.92	.90	.89	.90	.88	.87	.82
	3	.90	.88	.85	.89	.87	.85	.87	.85	.84	.80
	4	.87	.84	.82	.87	.84	.82	.85	.83	.81	.78
	5	.85	.81	.79	.84	.81	.79	.82	.80	.78	.76
	6	.82	.79	.77	.82	.79	.76	.80	.78	.76	.74
	7	.80	.76	.74	.79	.76	.74	.78	.75	.74	.72
	8	.77	.74	.72	.77	.74	.72	.76	.73	.71	.70
	9	.75	.72	.70	.75	.72	.70	.74	.71	.69	.68
	10	.73	.70	.68	.73	.70	.68	.72	.69	.68	.66

Conversion Factors: 150W PAR38 FL: White, C.U. x 1.1. 150W BR40FL: Black, C.U. x 0.95; White C.U. x 1.1.



Philips Lightolier
e: lol.webmaster@philips.com
t: (508) 679-8131
w: www.lightolier.com

1105 November 14, 2011

Specifications are subject to change without notice.
© Koninklijke Philips Electronics N.V., 2011. All rights reserved.

Job Information Type: