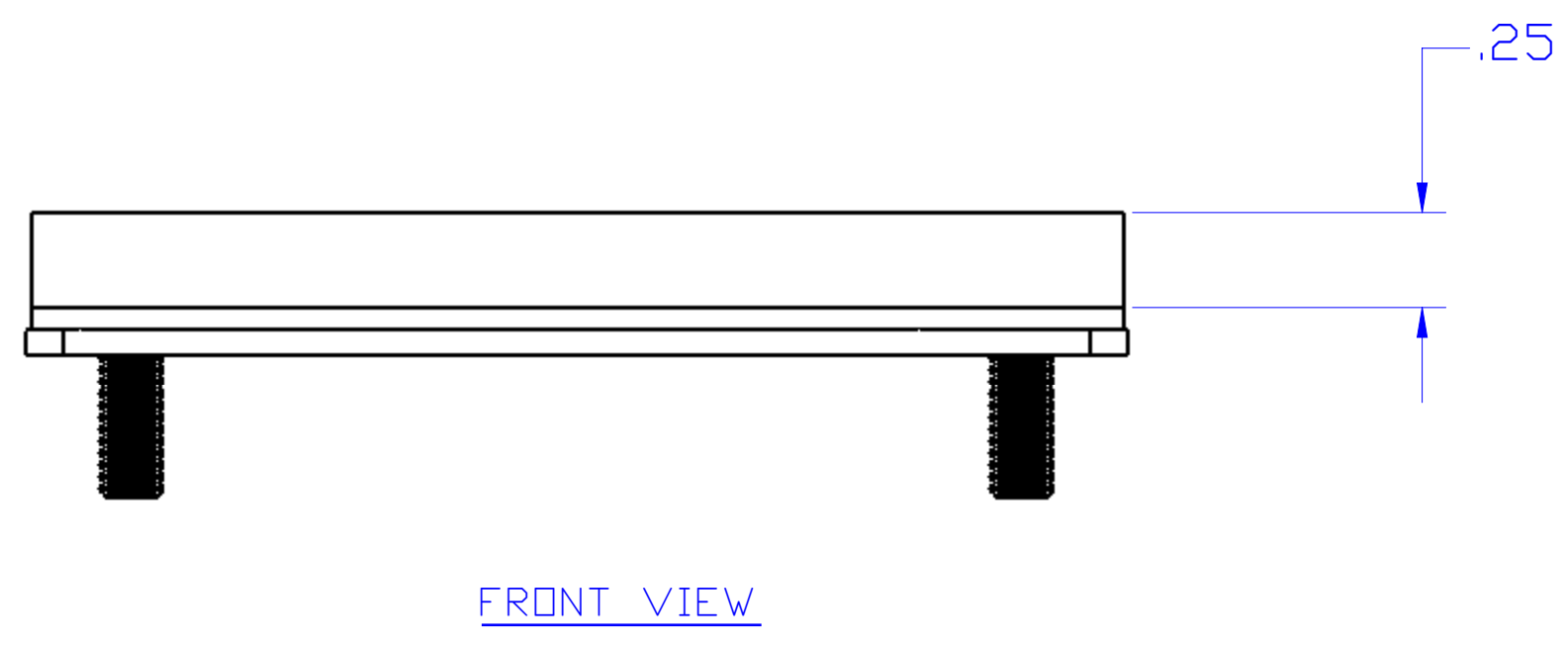
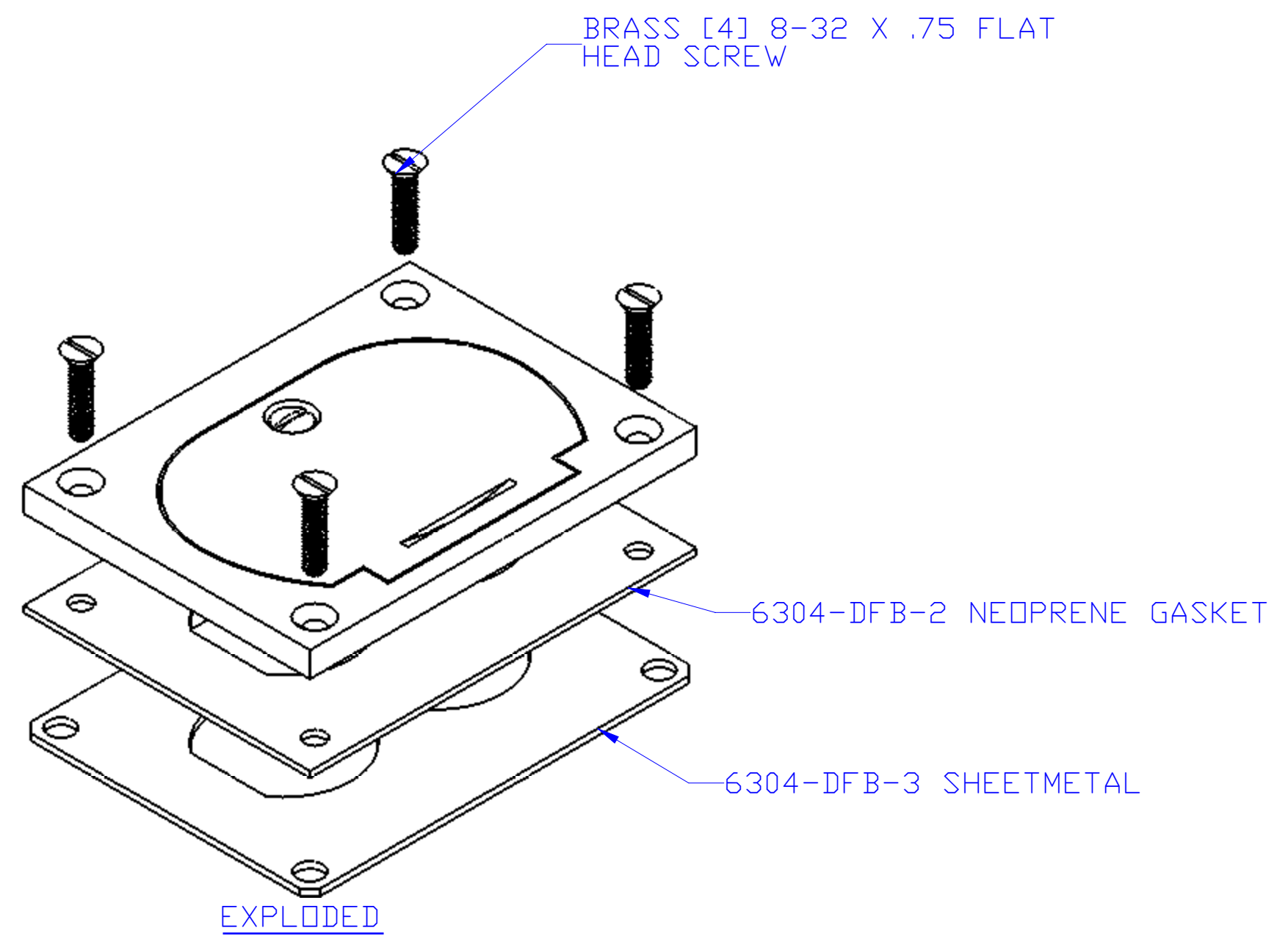
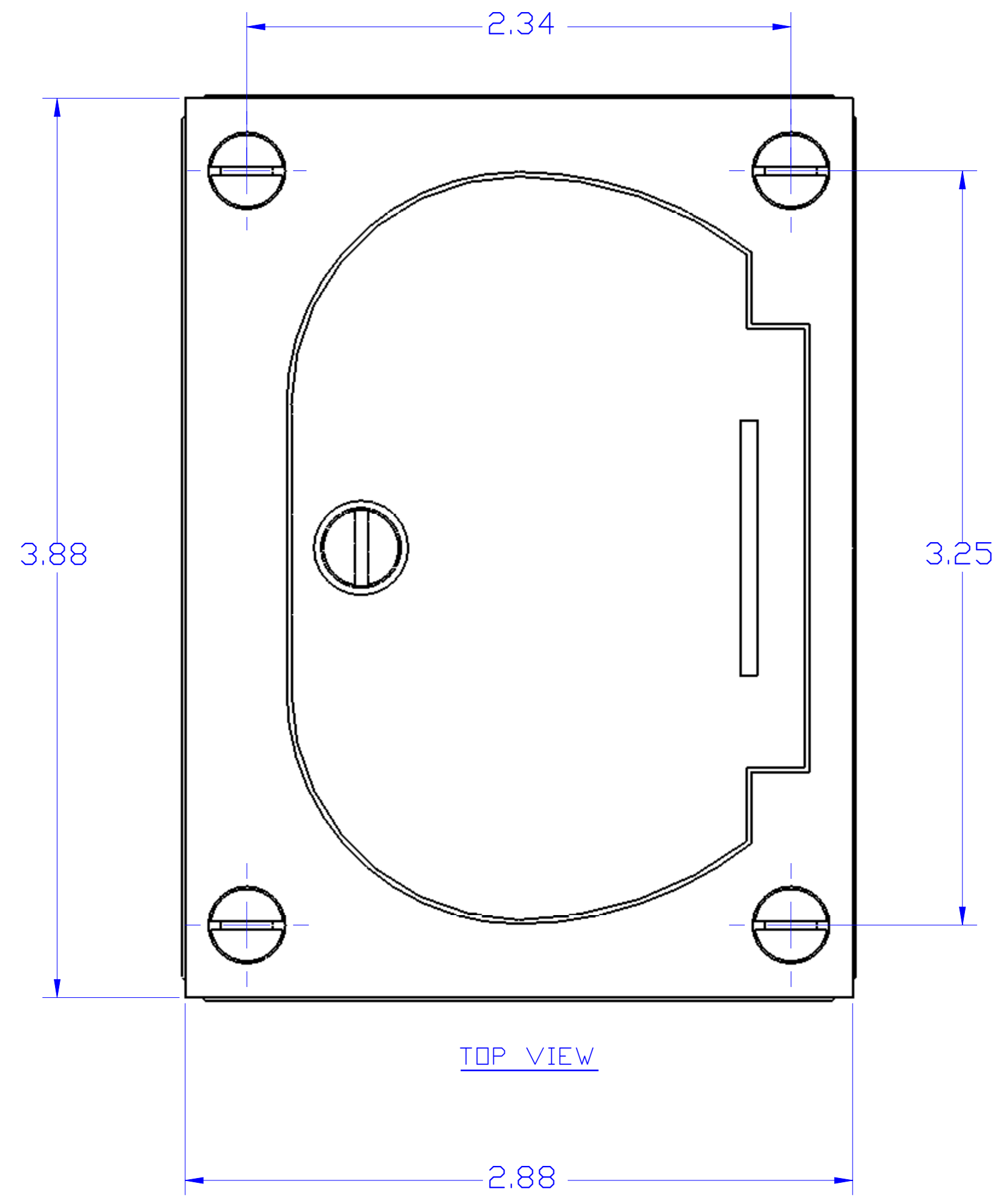
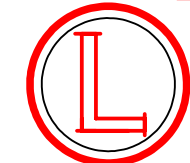


DESCRIPTION:  
BRASS, HINGED 2 7/8" X 3 7/8" COVER  
(1/4" THICK) FOR DUPLEX





**LEW ELECTRIC**  
**FITTINGS COMPANY**  
SERVING THE ELECTRICAL INDUSTRY SINCE 1901

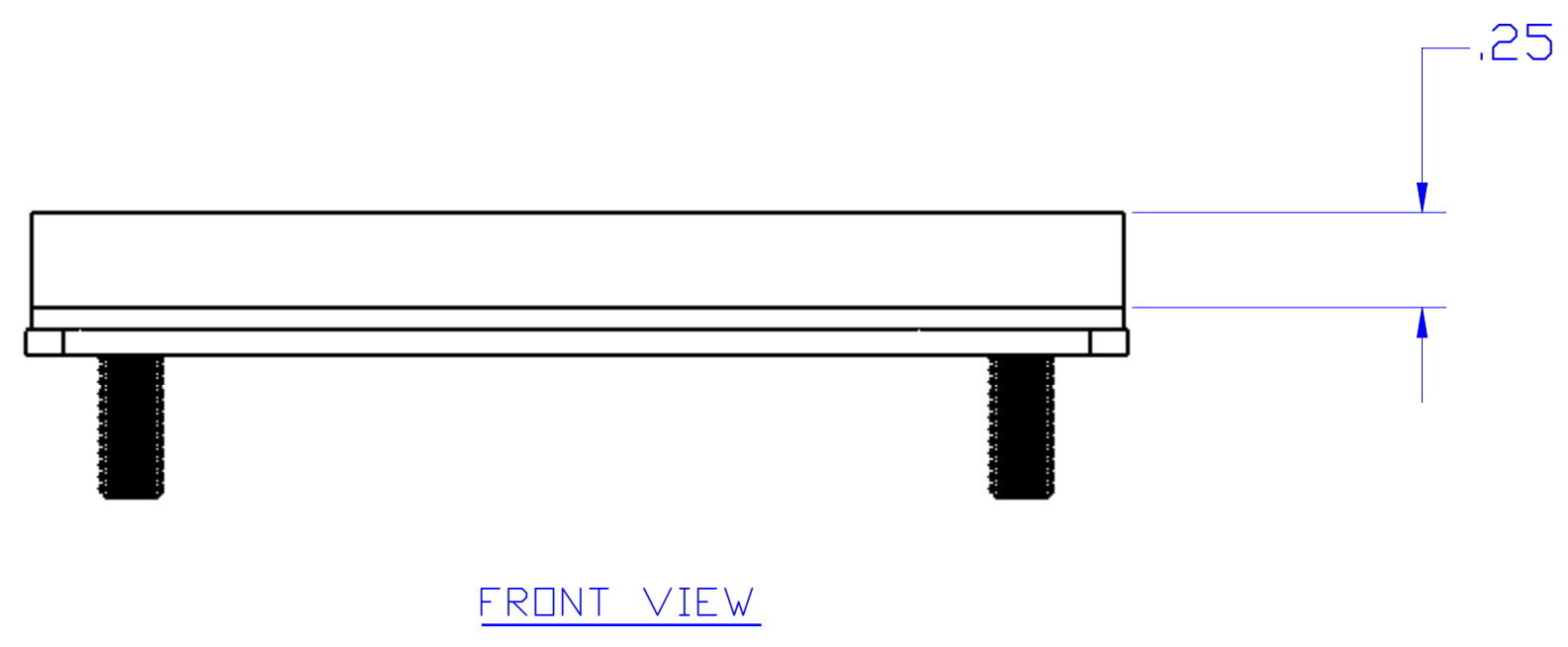
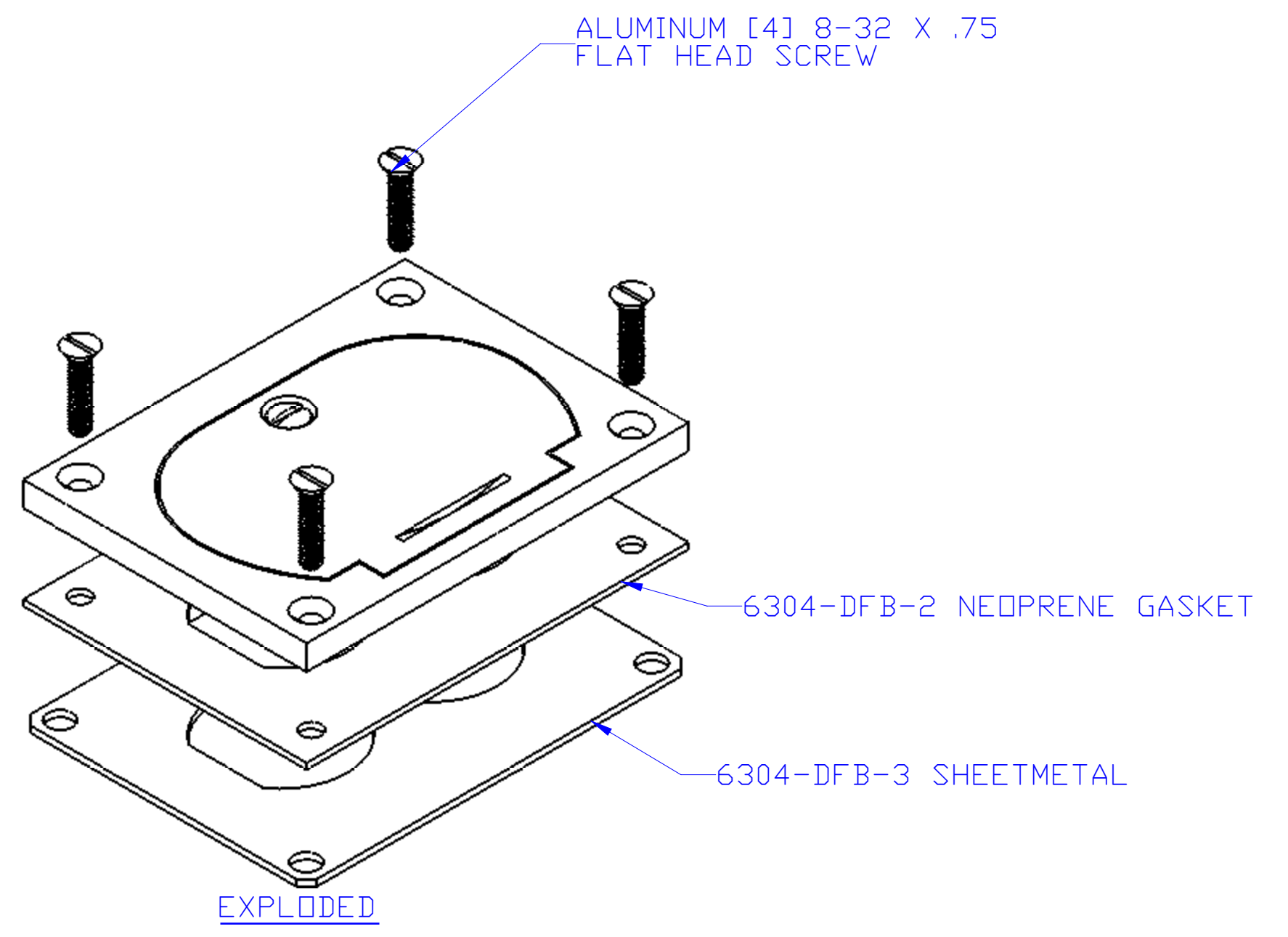
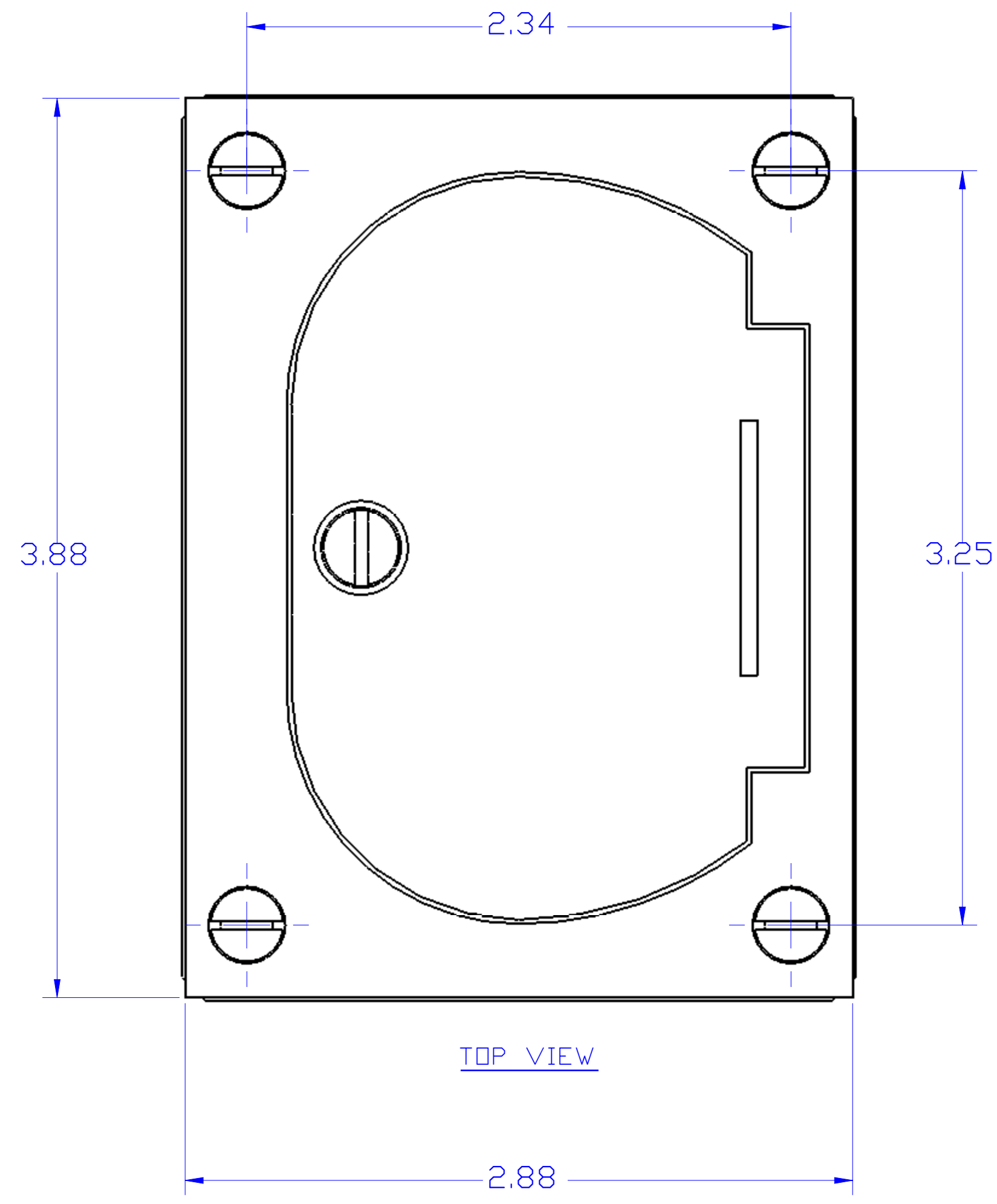
1801 W. St. Charles Rd. Maywood, IL 60153  
PHONE: 708-345-2075

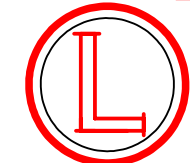
UNLESS OTHERWISE SPECIFIED:		NAME	DATE
DIMENSIONS ARE IN INCHES		DRAWN	PJG 11/7/2007
TOLERANCES:			
FRACTIONAL: ±			
ANGULAR: MACH ± BEND ±			
TWO PLACE DECIMAL ±			
THREE PLACE DECIMAL ±			
INTERPRET GEOMETRIC TOLERANCING PER:		COMMENTS:	
MATERIAL			
FINISH			
DO NOT SCALE DRAWING			

TITLE: **6304-DFB-1**

SIZE <b>C</b>	DWG. NO. 1001510	REV <b>A</b>
WEIGHT:		SHEET 1 OF 8

DESCRIPTION:  
 ALUMINUM, HINGED 2 7/8" X 3 7/8" COVER  
 (1/4" THICK) FOR DUPLEX



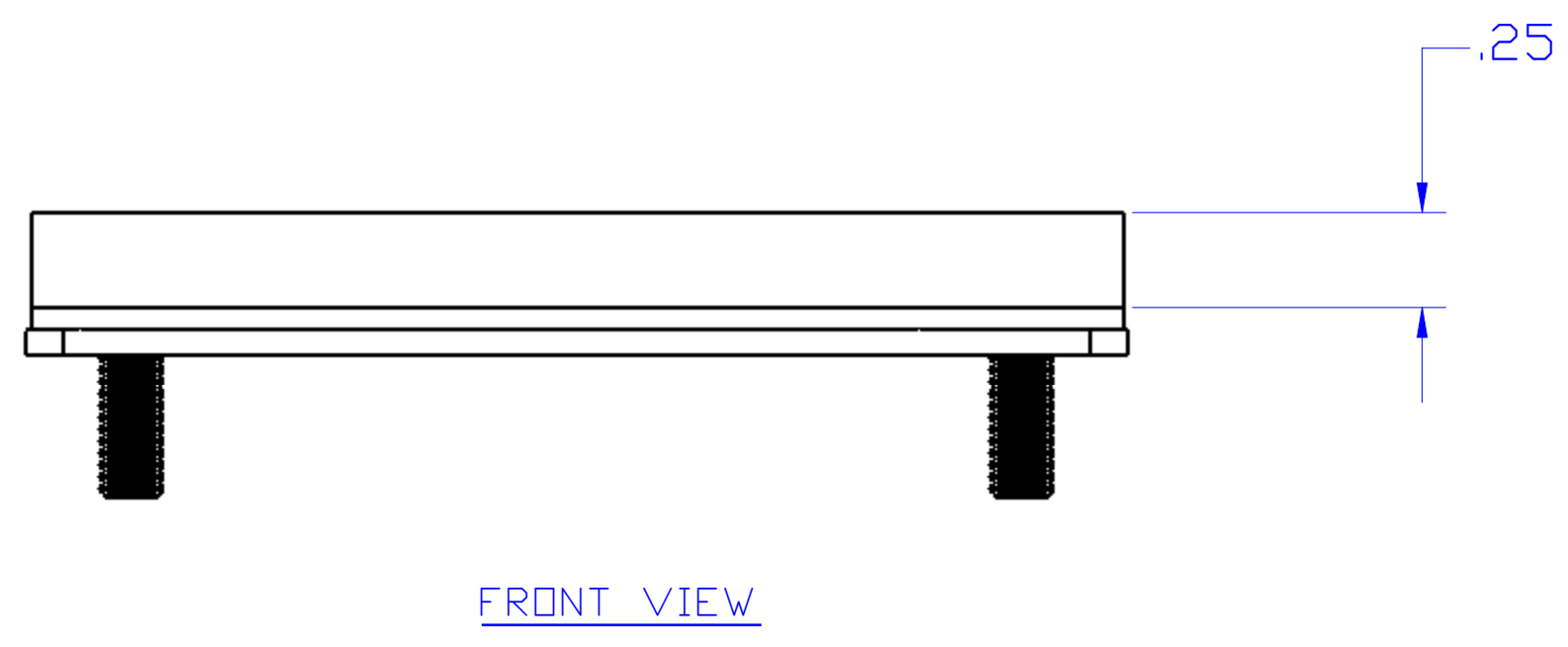
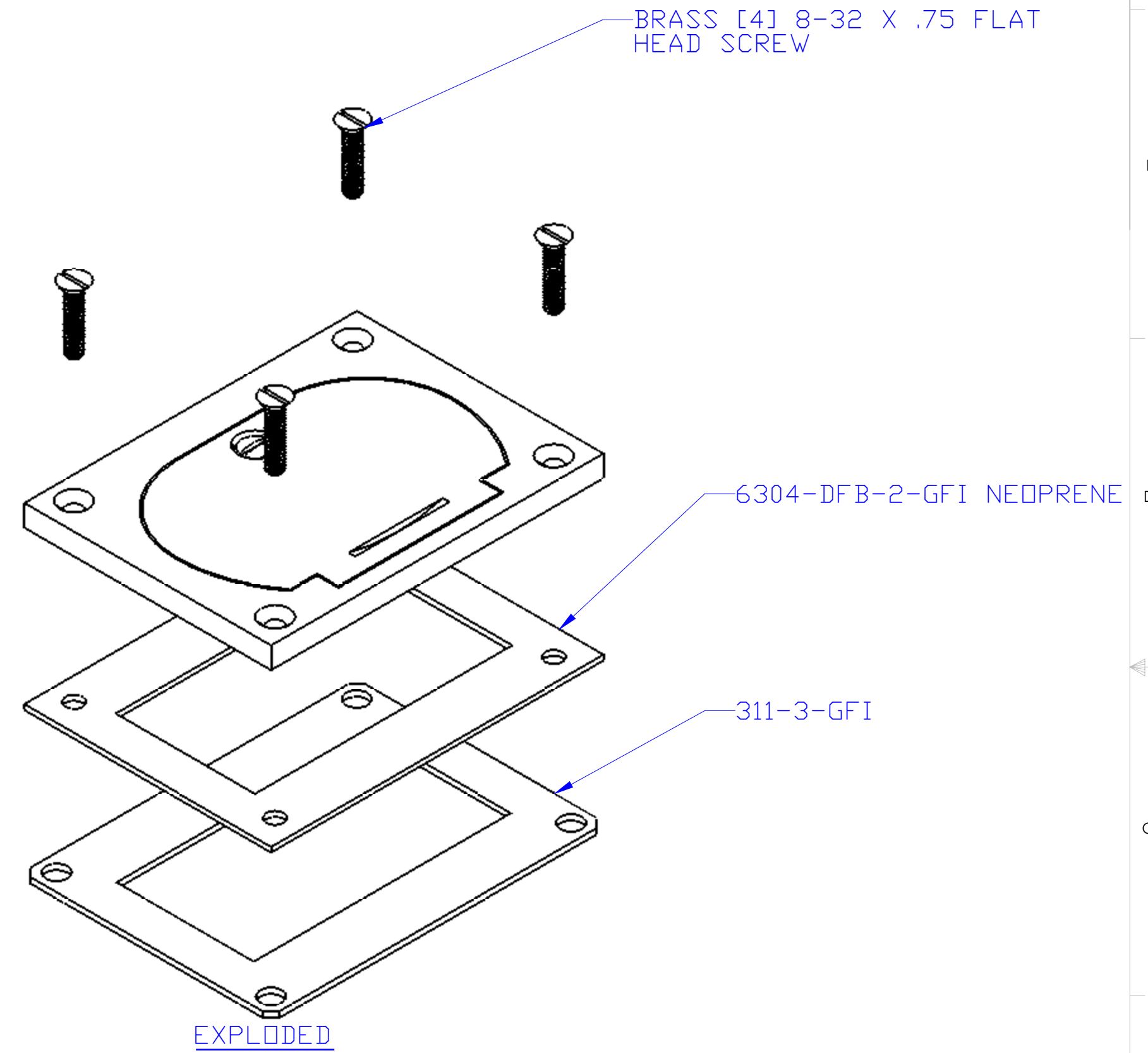
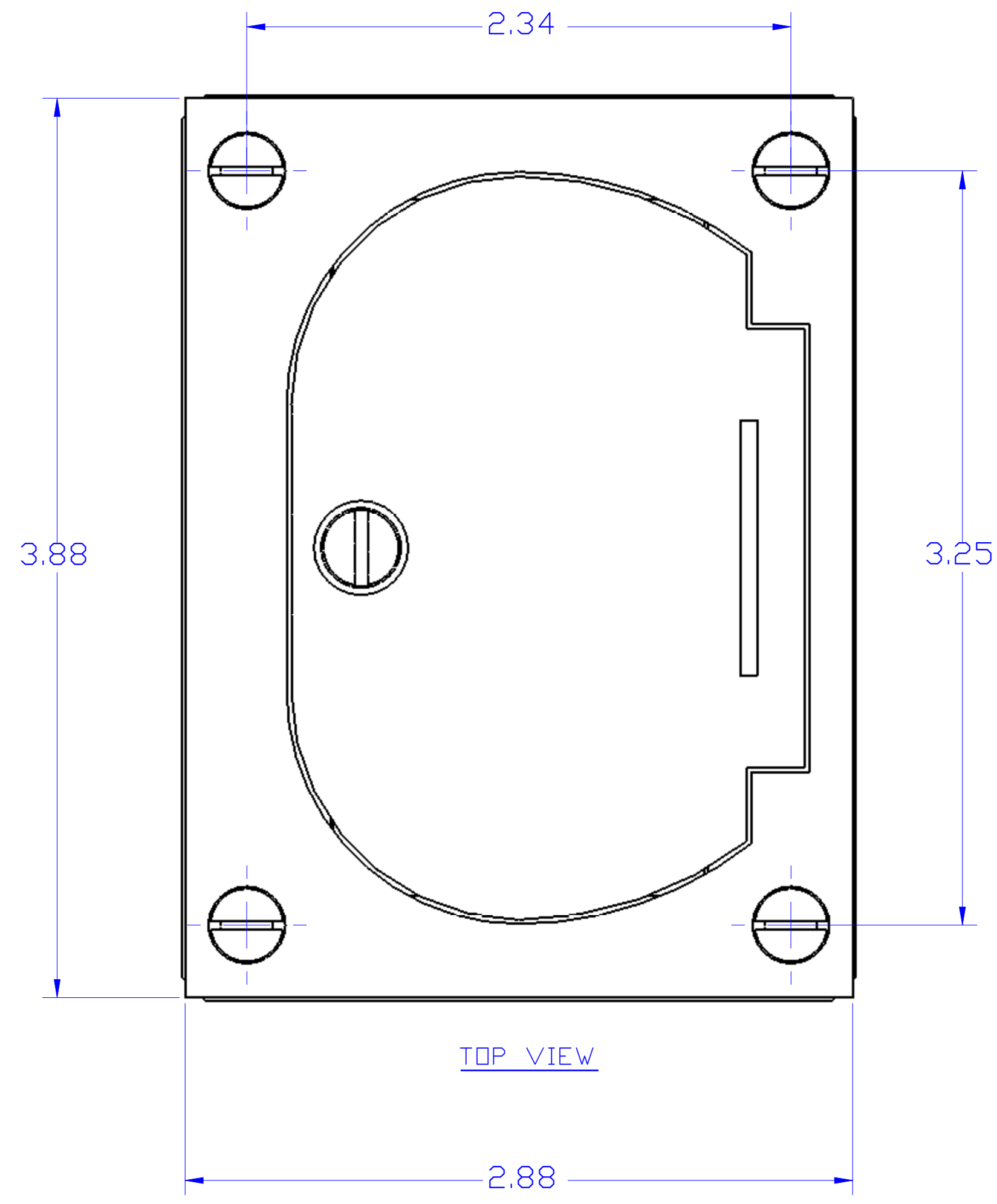


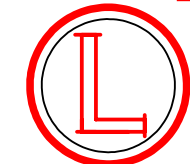
**LEW ELECTRIC  
 FITTINGS COMPANY**  
 SERVING THE ELECTRICAL INDUSTRY SINCE 1901

1801 W. St. Charles Rd. Maywood, IL 60153  
 PHONE: 708-345-2075

UNLESS OTHERWISE SPECIFIED:		NAME	DATE	TITLE: <b>6304-DFB-1-A</b>
DIMENSIONS ARE IN INCHES		DRAWN	P.J.G.	
TOLERANCES:				
FRACTIONAL: ±				
ANGULAR: MACH ± BEND ±				
TWO PLACE DECIMAL ±				
THREE PLACE DECIMAL ±				
INTERPRET GEOMETRIC TOLERANCING PER:		COMMENTS:		
MATERIAL				
FINISH				
DO NOT SCALE DRAWING		SIZE	DWG. NO.	REV
		<b>C</b>	1001520	<b>A</b>
		WEIGHT:	SHEET 2 OF 8	

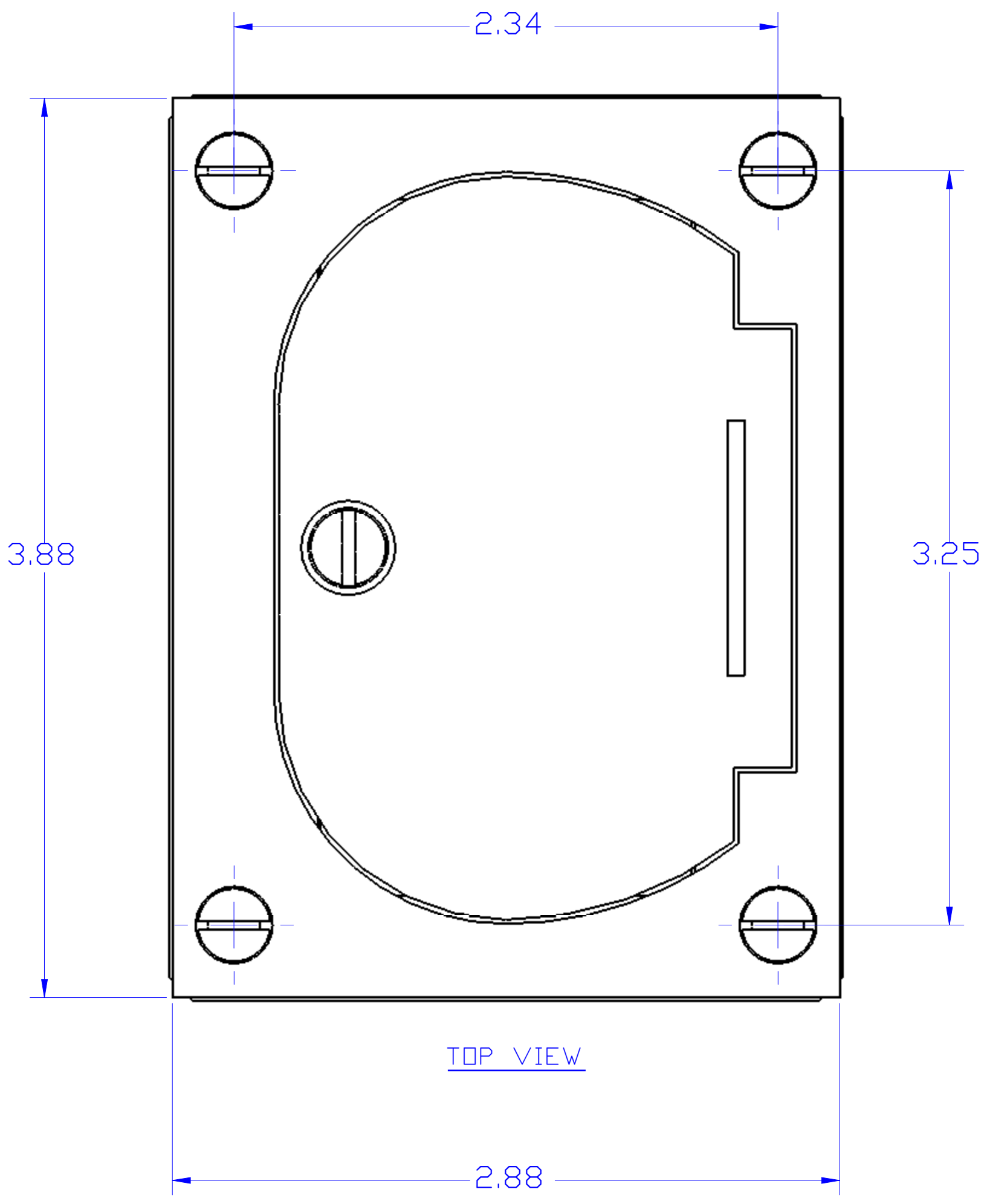
DESCRIPTION:  
 BRASS, HINGED 2 7/8" X 3 7/8" COVER  
 (1/4" THICK) FOR DECORA RECEPTACLE



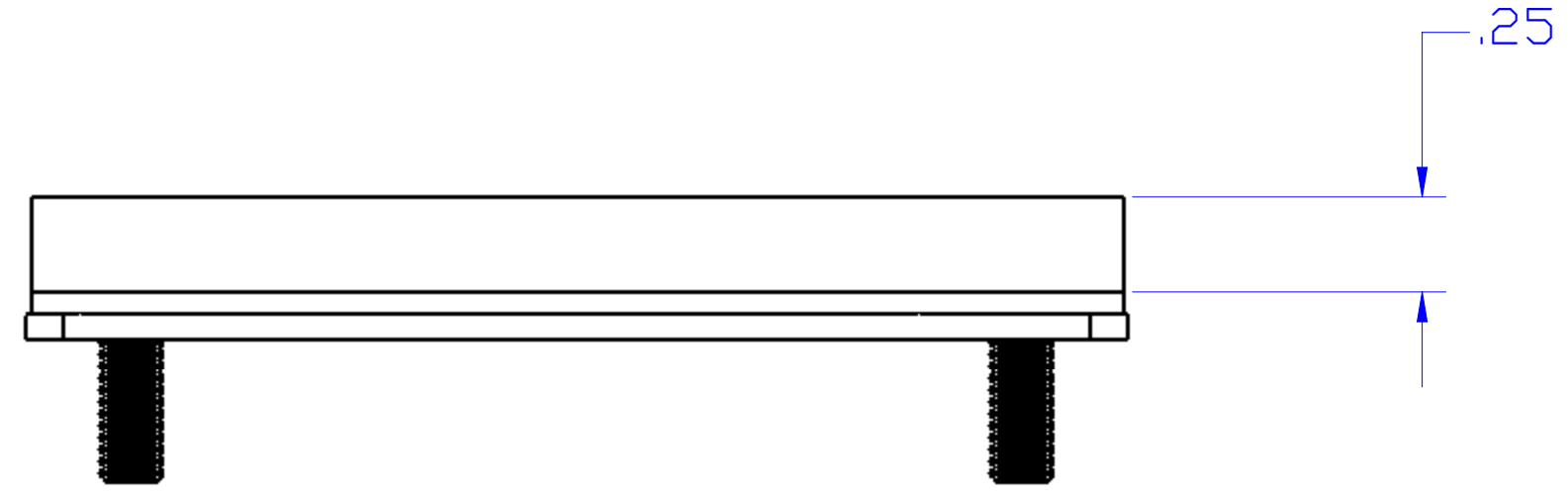


**LEW ELECTRIC  
 FITTINGS COMPANY**  
 SERVING THE ELECTRICAL INDUSTRY SINCE 1901  
 1801 W. St. Charles Rd. Maywood, IL 60153  
 PHONE: 708-345-2075

UNLESS OTHERWISE SPECIFIED:		NAME	DATE	TITLE: <b>6304-DFB-1-GFI</b>
DIMENSIONS ARE IN INCHES		DRAWN	P.J.G.	
TOLERANCES:				SIZE DWG. NO. REV <b>C</b> 1001550 <b>A</b>
FRACTIONAL ±				
ANGULAR: MATCH ± BEND ±				
TWO PLACE DECIMAL ±				
THREE PLACE DECIMAL ±				WEIGHT: SHEET 3 OF 8
INTERPRET GEOMETRIC TOLERANCING PER:		COMMENTS:		
MATERIAL				
FINISH				
DO NOT SCALE DRAWING				

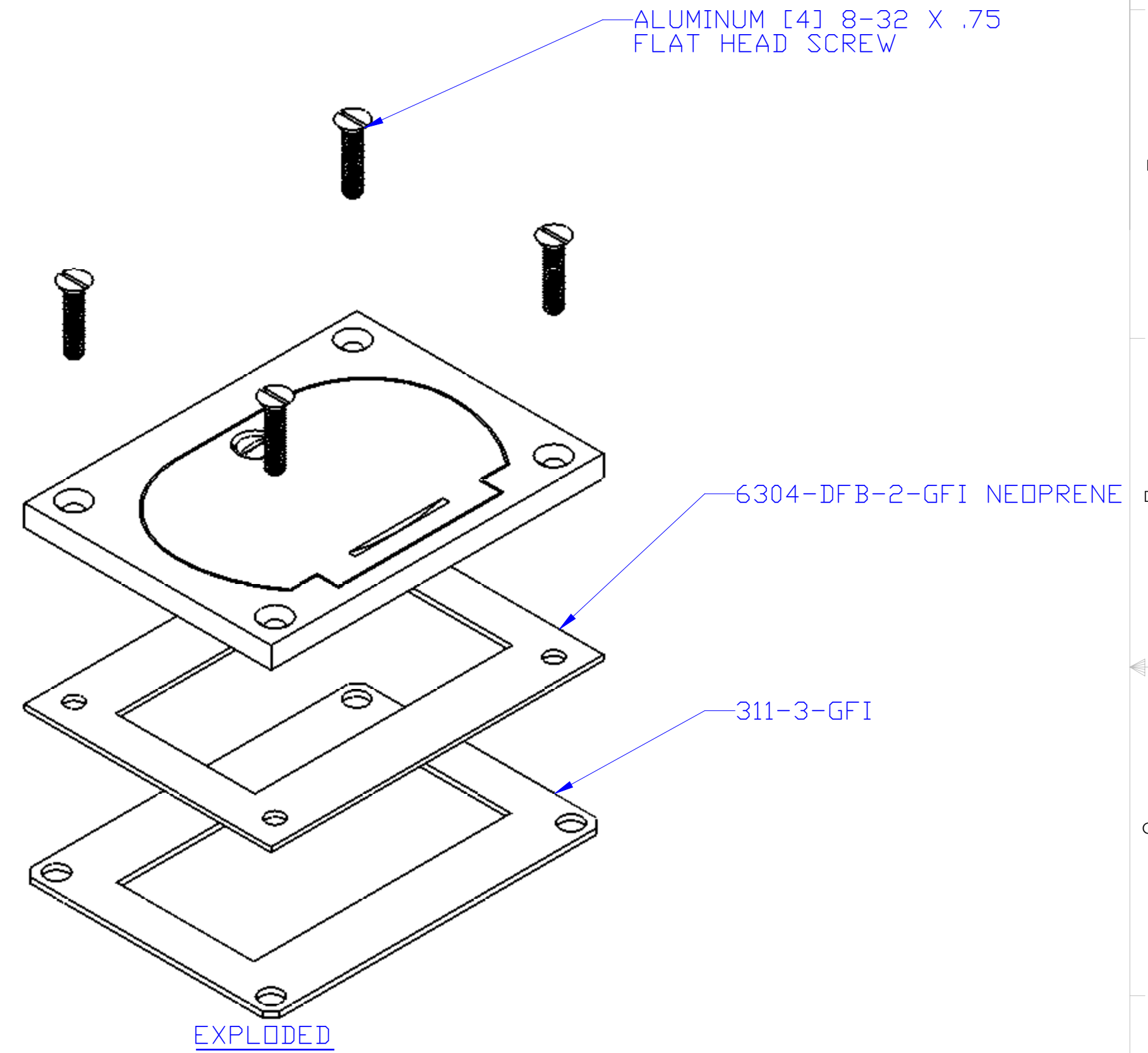


TOP VIEW



FRONT VIEW

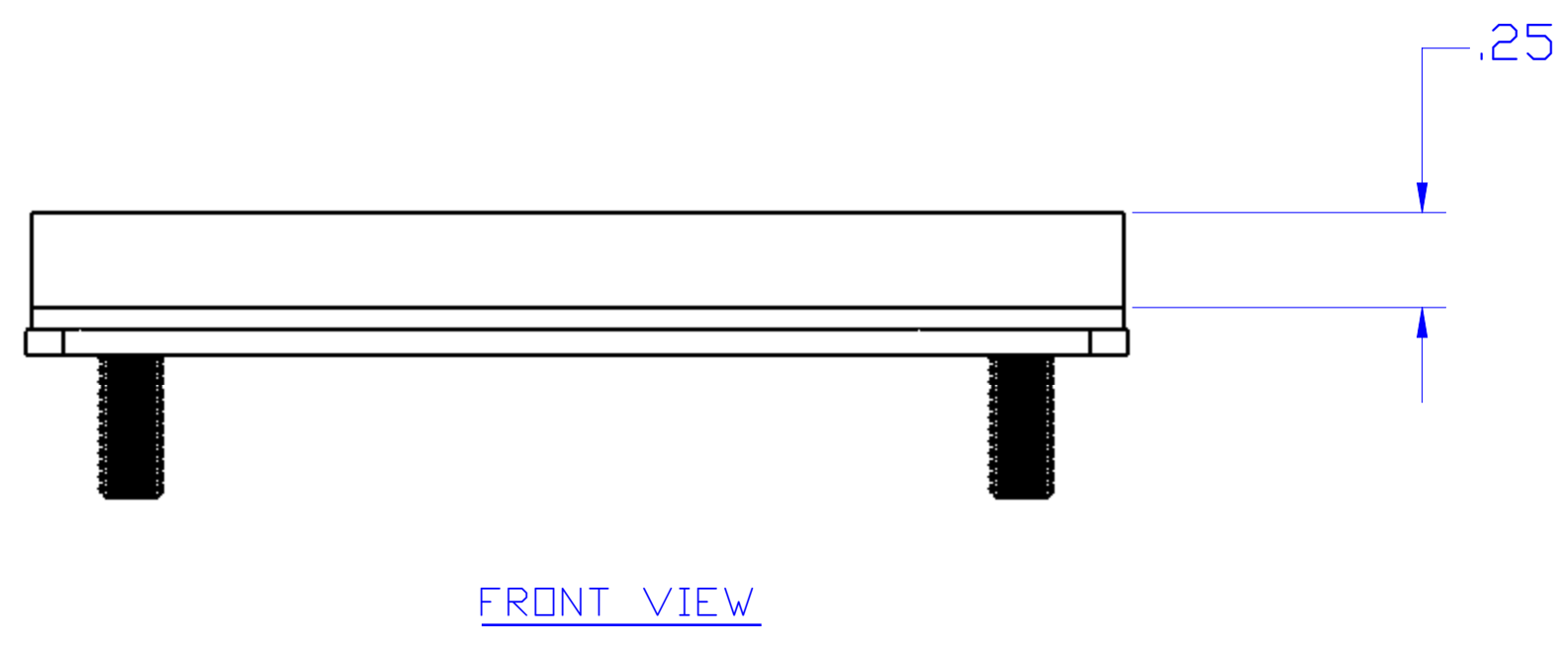
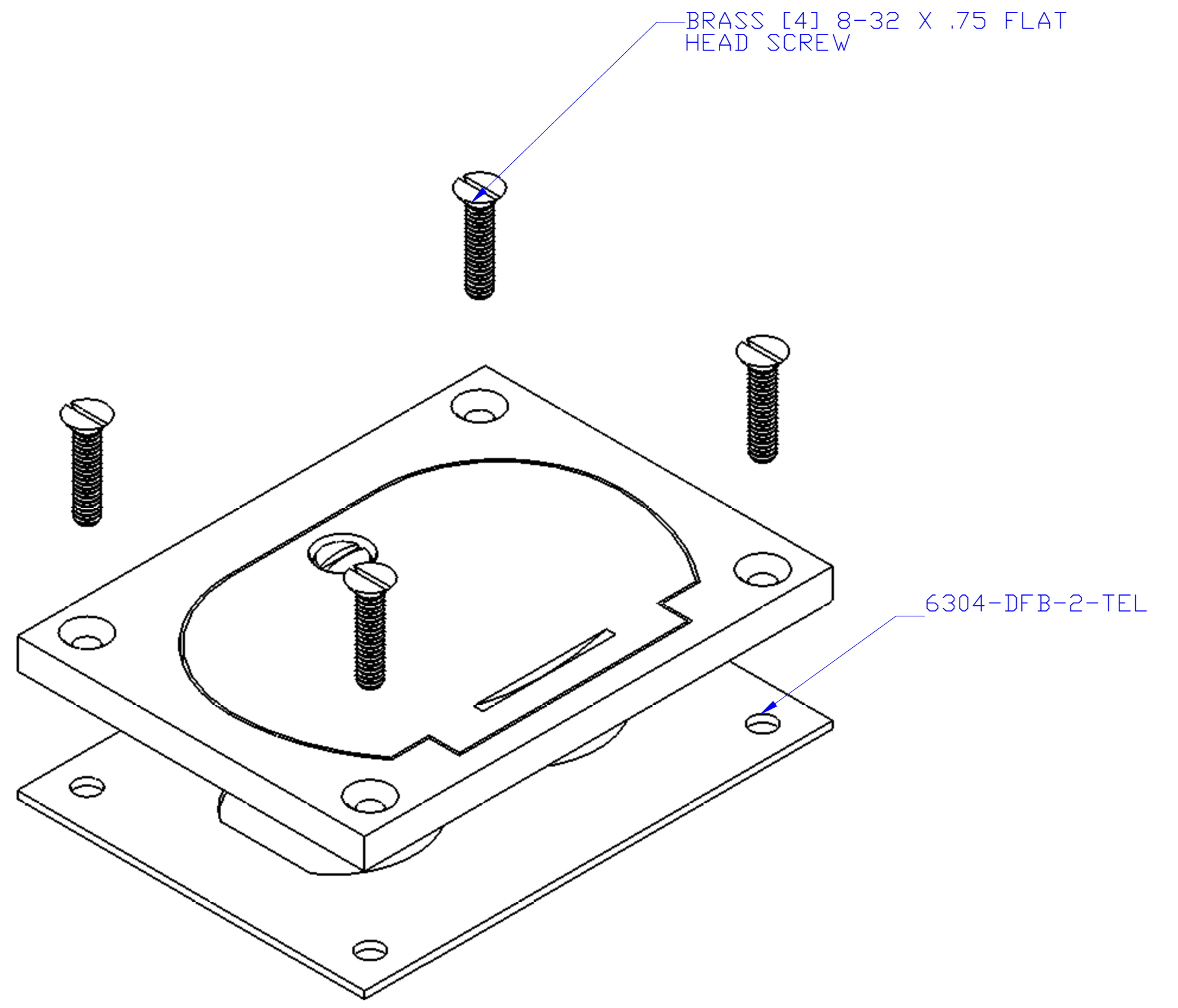
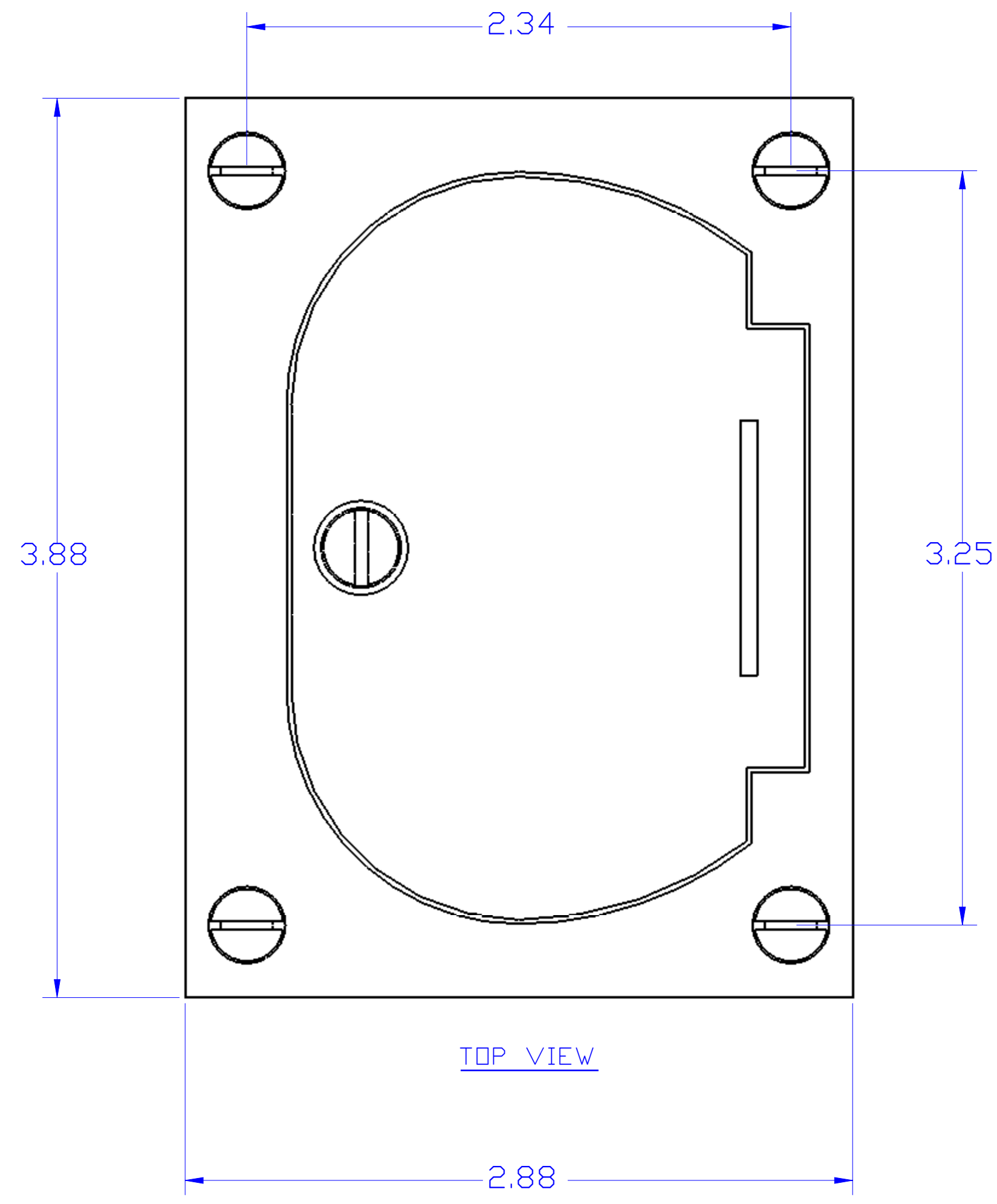
DESCRIPTION:  
ALUMINUM, HINGED 2 7/8" X 3 7/8" COVER  
(1/4" THICK) FOR DECORA RECEPTACLE

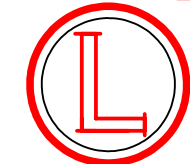


**LEW ELECTRIC**  
**FITTINGS COMPANY**  
SERVING THE ELECTRICAL INDUSTRY SINCE 1901  
1801 W. St. Charles Rd. Maywood, IL 60153  
PHONE: 708-345-2075

UNLESS OTHERWISE SPECIFIED:		NAME	DATE	TITLE: <b>6304-DFB-GF1-A</b>
DIMENSIONS ARE IN INCHES		DRAWN	P.J.G.	
TOLERANCES:				
FRACTIONAL ±				
ANGULAR: MACH ± BEND ±				
TWO PLACE DECIMAL ±				
THREE PLACE DECIMAL ±				
INTERPRET GEOMETRIC TOLERANCING PER:		COMMENTS:		
MATERIAL				
FINISH				
DO NOT SCALE DRAWING		SIZE	DWG. NO.	REV
		<b>C</b>	1001560	<b>A</b>
		WEIGHT:	SHEET 4 OF 8	

DESCRIPTION:  
 BRASS, HINGED 2 7/8" X 3 7/8" COVER  
 (1/4" THICK) FOR COMM./DATA



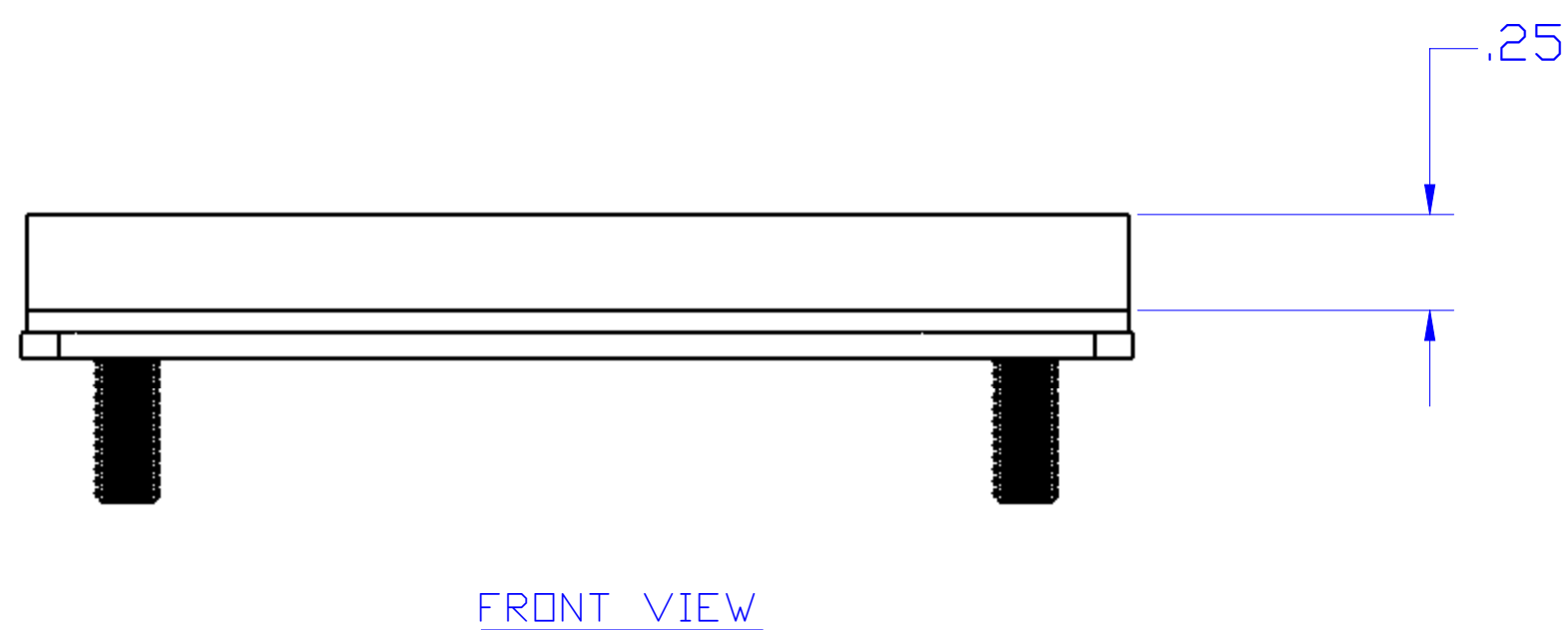
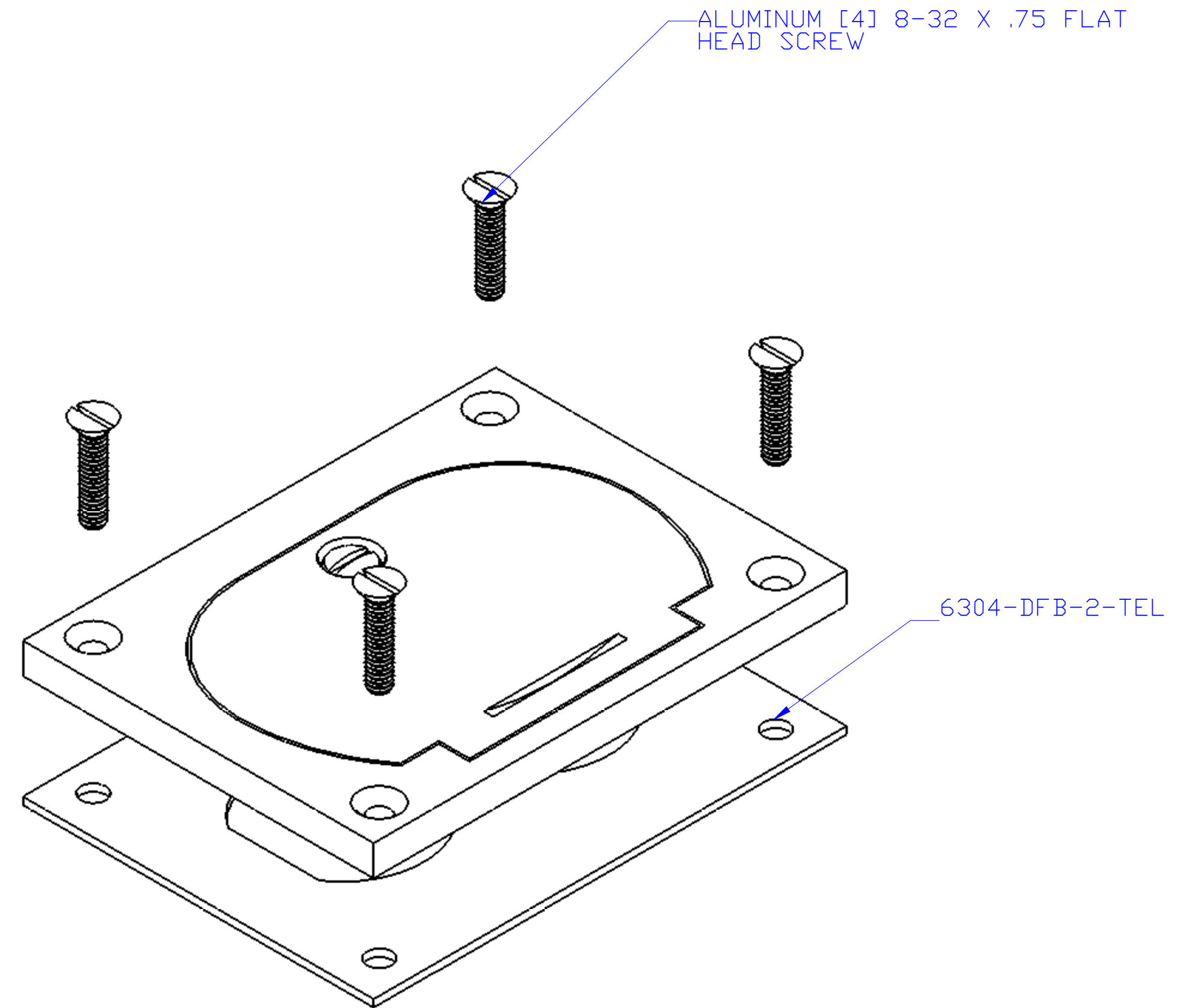
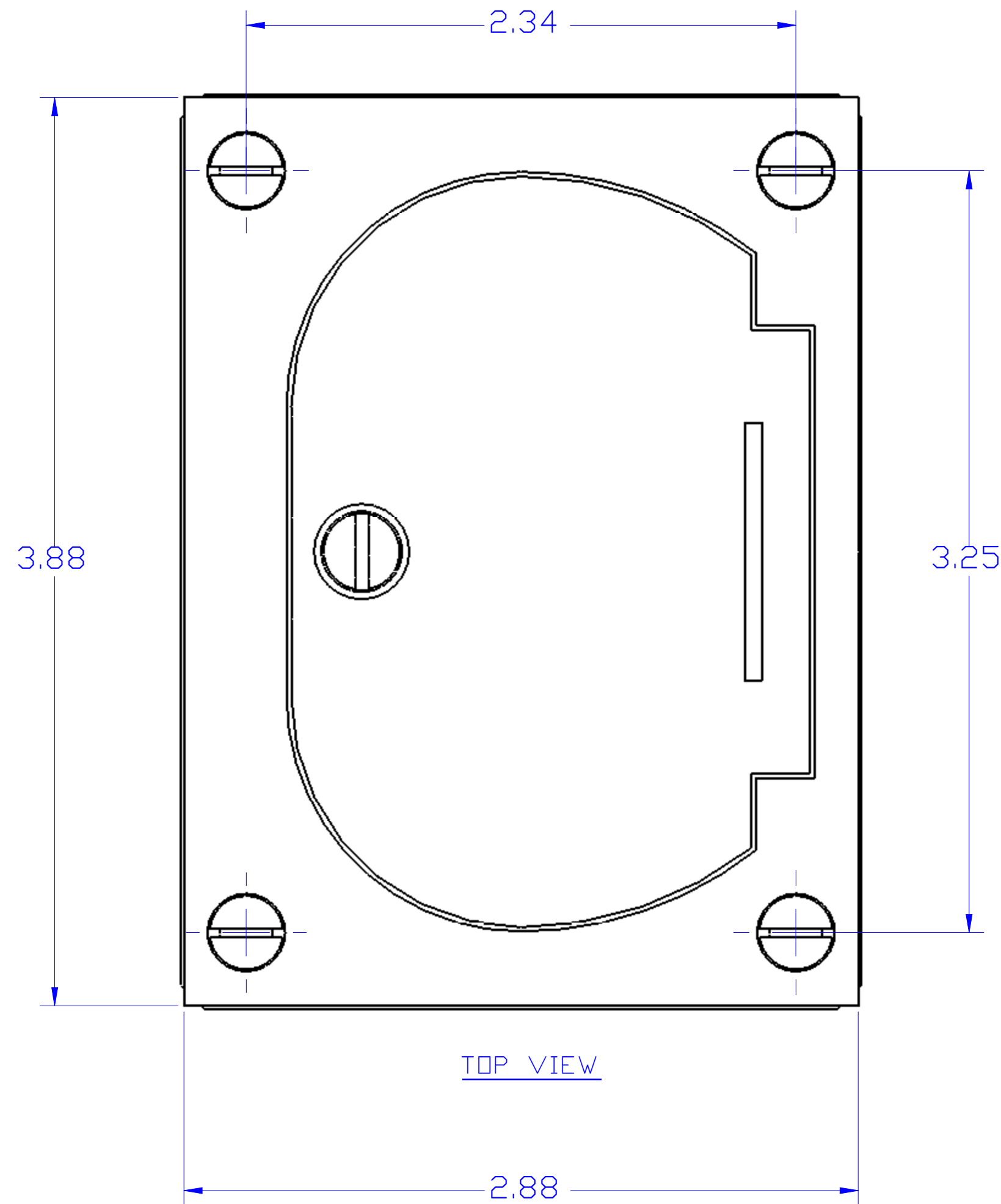


**LEW ELECTRIC  
 FITTINGS COMPANY**  
 SERVING THE ELECTRICAL INDUSTRY SINCE 1901

1801 W. St. Charles Rd. Maywood, IL 60153  
 PHONE: 708-345-2075

UNLESS OTHERWISE SPECIFIED:	NAME	DATE	TITLE: <b>6304-DFB-1-TEL</b>
DIMENSIONS ARE IN INCHES	DRAWN	P.J.G	
TOLERANCES:			REV <b>A</b>
FRACTIONAL: ±			
ANGULAR: MACH ± BEND ±			
TWO PLACE DECIMAL ± THREE PLACE DECIMAL ±			
INTERPRET GEOMETRIC TOLERANCING PER:	COMMENTS:		SIZE DWG. NO.
MATERIAL			<b>C</b> 1001530
FINISH			WEIGHT: SHEET 5 OF 8
DO NOT SCALE DRAWING			

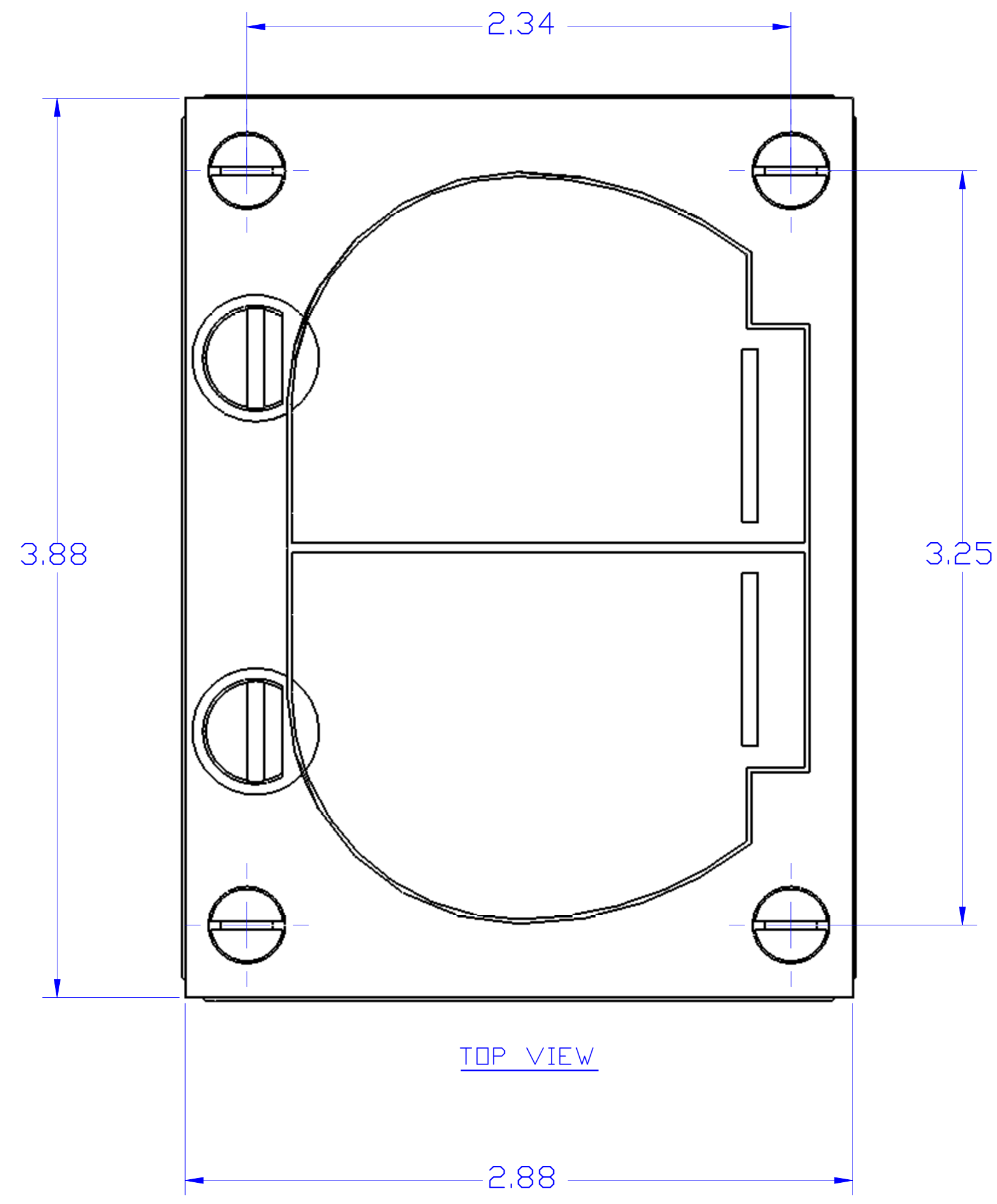
DESCRIPTION:  
 ALUMINUM, HINGED 2 7/8" X 3 7/8" COVER  
 (1/4" THICK) FOR COMM./DATA



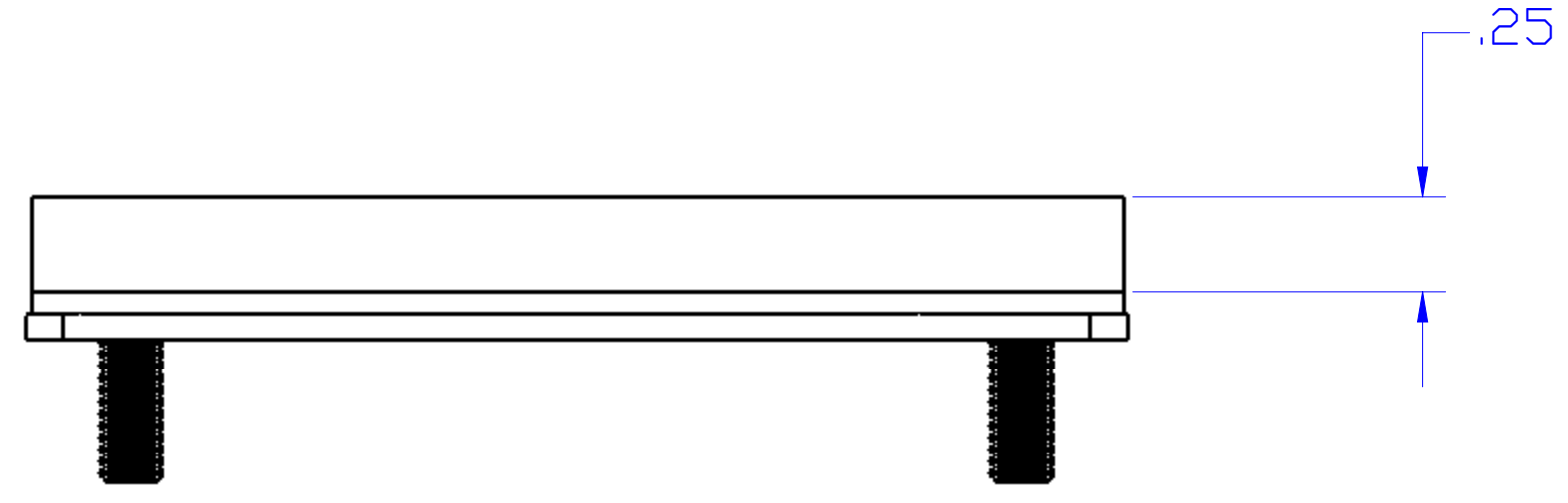
**LEW ELECTRIC**  
**FITTINGS COMPANY**  
 SERVING THE ELECTRICAL INDUSTRY SINCE 1901  
 1801 W. St. Charles Rd. Maywood, IL 60153  
 PHONE: 708-345-2075

UNLESS OTHERWISE SPECIFIED:	NAME	DATE	TITLE: <b>6304-DFB-1-TEL-A</b>
DIMENSIONS ARE IN INCHES	DRAWN	11/7/2007	
TOLERANCES:			SIZE DWG. NO. REV <b>C</b> 1001540 <b>A</b>
FRACTIONAL ±			
ANGULAR: MACH ± BEND ±			
TWO PLACE DECIMAL ±			
THREE PLACE DECIMAL ±			WEIGHT: SHEET 6 OF 8
INTERPRET GEOMETRIC TOLERANCING PER:	COMMENTS:		
MATERIAL:			
FINISH:			
DO NOT SCALE DRAWING			

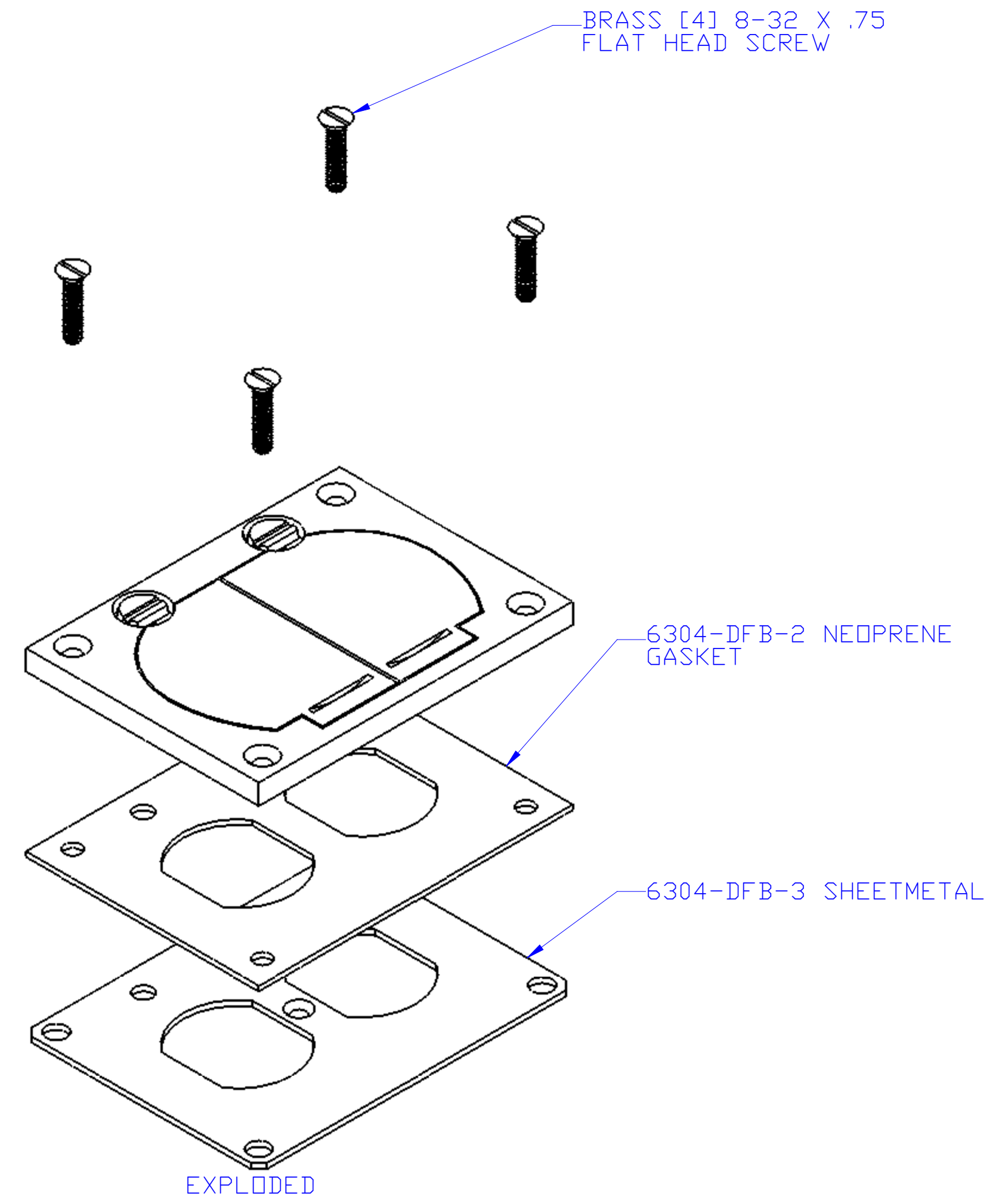
DESCRIPTION:  
 BRASS, DUAL HINGED 2 7/8" X 3 7/8"  
 COVER (1/4" THICK) FOR DUPLEX



TOP VIEW



FRONT VIEW



**LEW ELECTRIC**  
**FITTINGS COMPANY**  
 SERVING THE ELECTRICAL INDUSTRY SINCE 1901

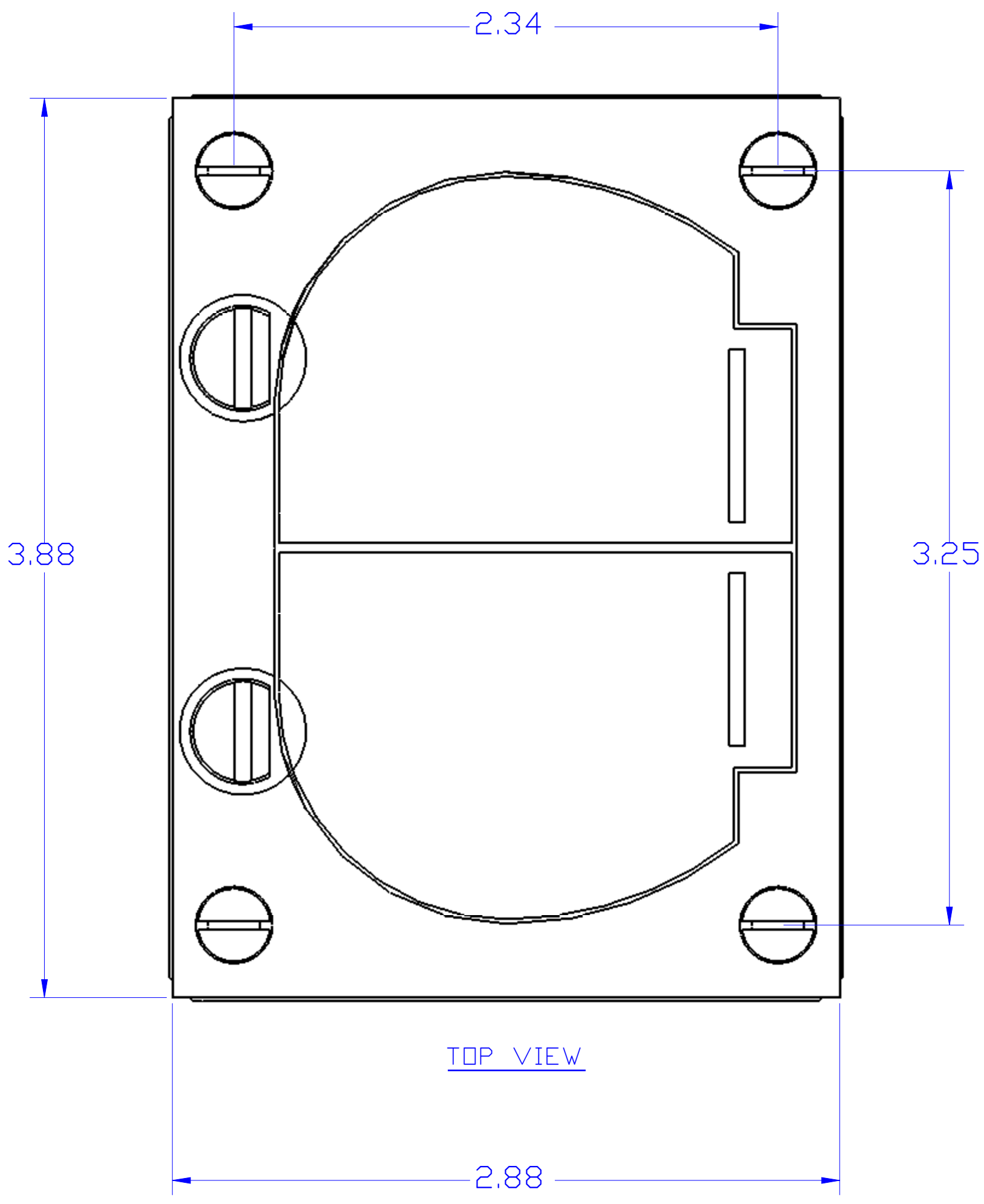
1801 W. St. Charles Rd. Maywood, IL 60153  
 PHONE: 708-345-2075

UNLESS OTHERWISE SPECIFIED:		NAME	DATE
DIMENSIONS ARE IN INCHES		DRAWN	PJG 11/7/2007
TOLERANCES:			
FRACTIONAL: ±			
ANGULAR: MACH ± BEND ±			
TWO PLACE DECIMAL ±			
THREE PLACE DECIMAL ±			
INTERPRET GEOMETRIC TOLERANCING PER:		COMMENTS:	
MATERIAL			
FINISH			
DO NOT SCALE DRAWING			

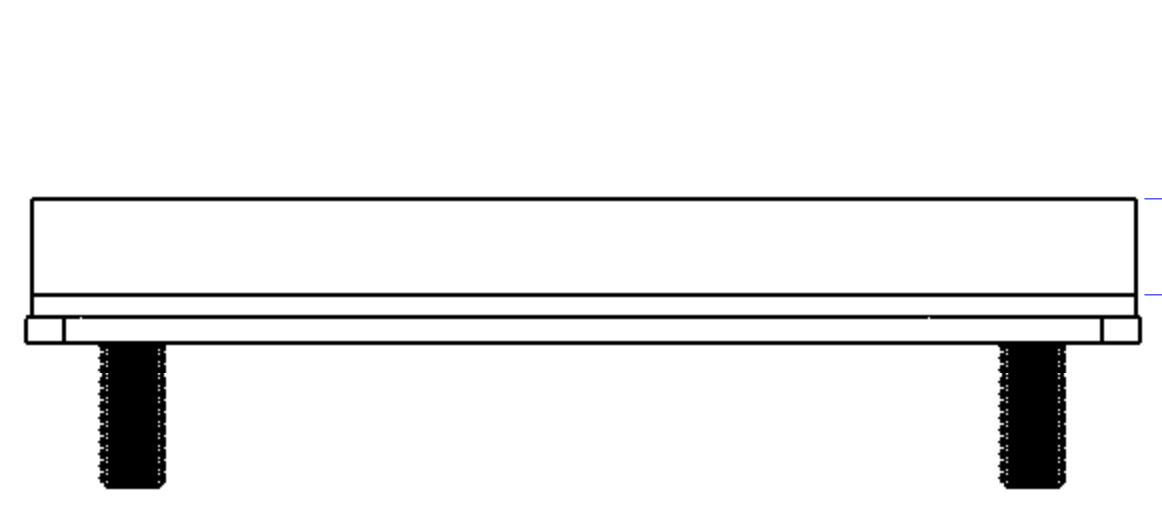
TITLE:  
**6304-DFB-LR**

SIZE DWG. NO. REV  
**C** 1001570 **A**

WEIGHT: SHEET 7 OF 8

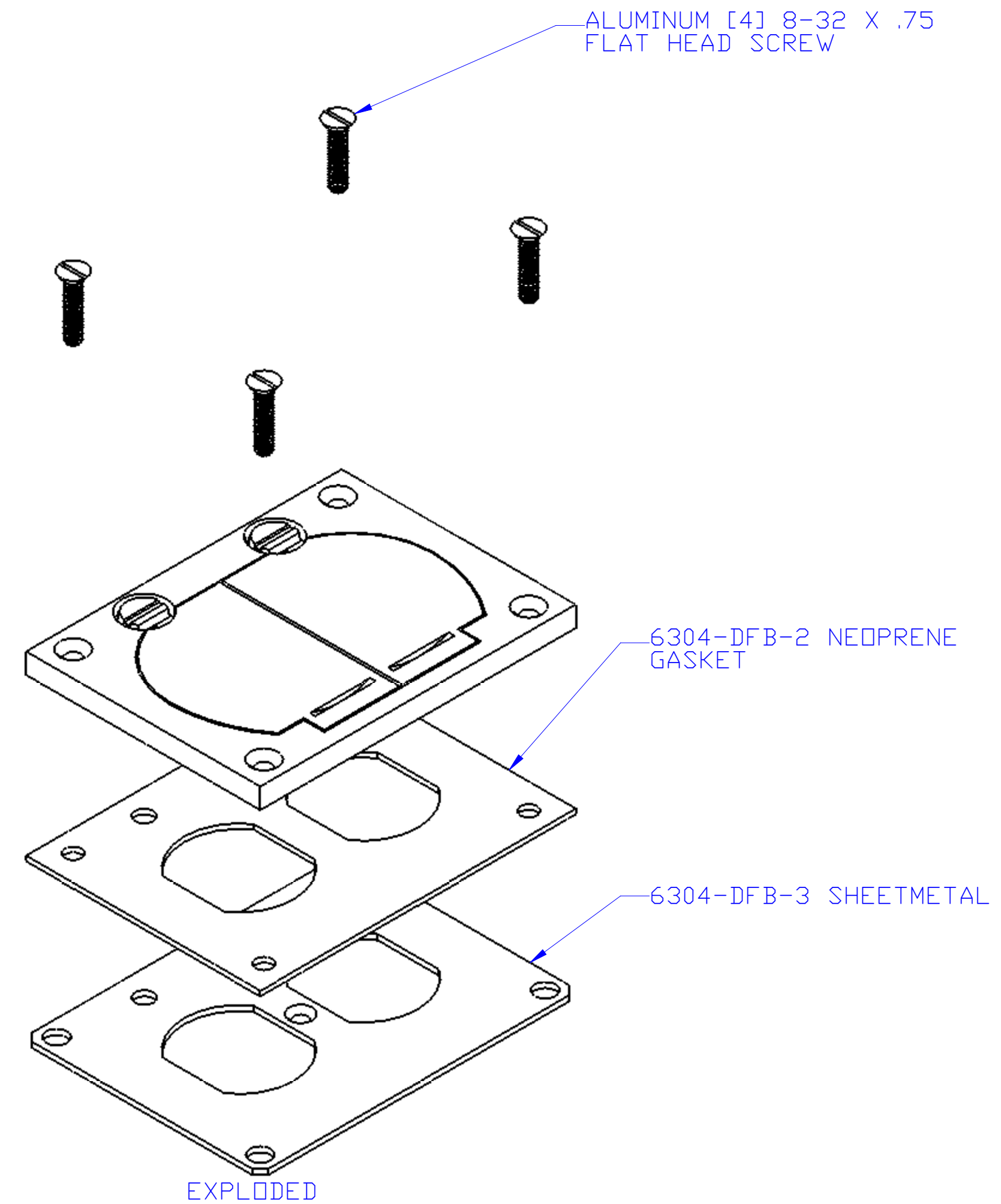


TOP VIEW



FRONT VIEW

DESCRIPTION:  
ALUMINUM, DUAL HINGED 2 7/8" X 3 7/8"  
COVER (1/4" THICK) FOR DUPLEX



UNLESS OTHERWISE SPECIFIED:		NAME	DATE	TITLE: <b>6304-DFB-LR-A</b>
DIMENSIONS ARE IN INCHES		DRAWN	PJG 11/7/2007	
TOLERANCES:				SIZE DWG. NO. REV <b>C</b> 1001580 <b>A</b>
FRACTIONAL ±				
ANGULAR: MATCH ± BEND ±				
TWO PLACE DECIMAL ±				SCALE: 1:1 WEIGHT: SHEET 8 OF 8
THREE PLACE DECIMAL ±				
INTERPRET GEOMETRIC TOLERANCING PER:		COMMENTS:		
MATERIAL				
FINISH				
DO NOT SCALE DRAWING				