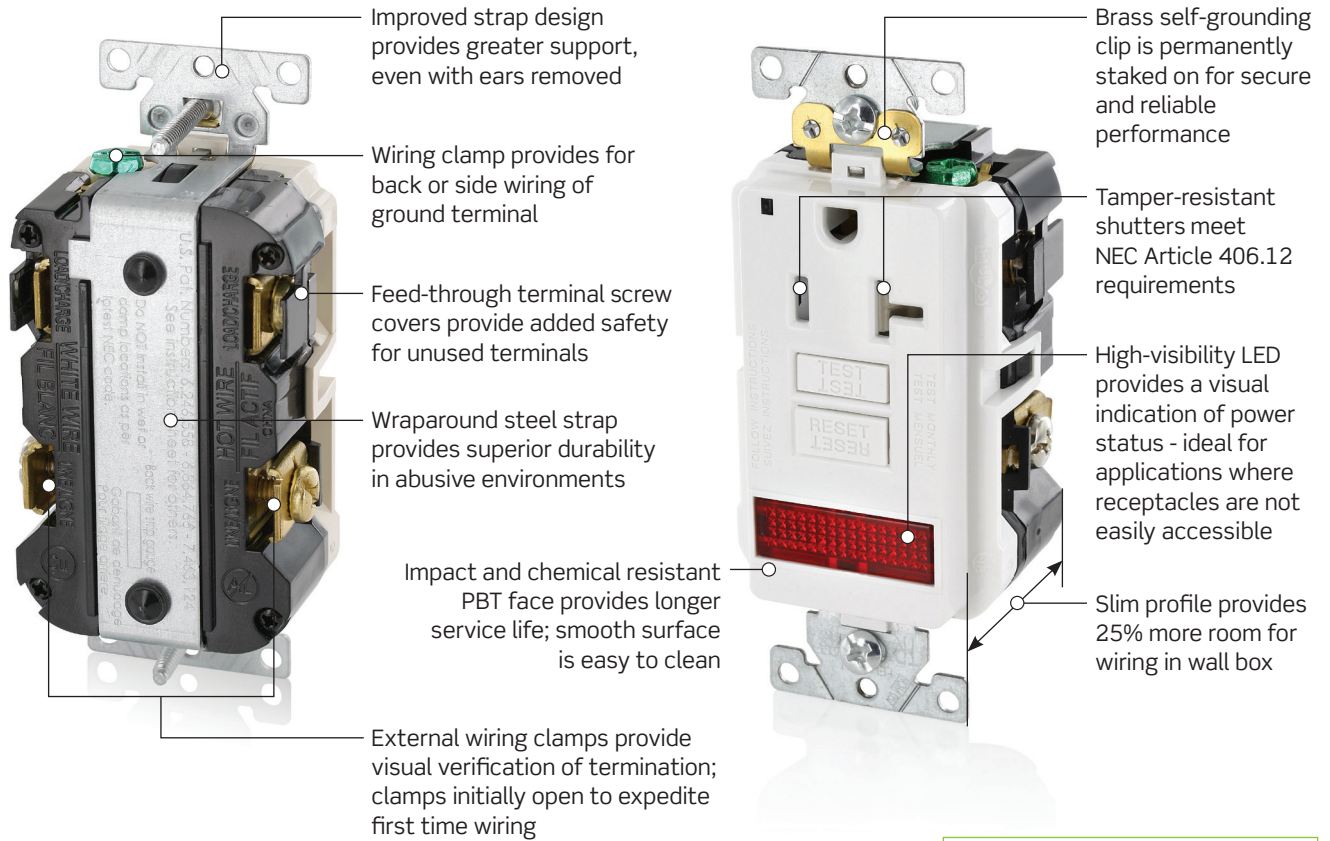


Industry Exclusive!

Single GFCI Receptacles with Pilot Light

Ideal for equipment protection on dedicated branch circuits



Patented SmartlockPro® protection detects and prevents against line-load reversal miswiring, and prevents resetting when ground fault protection has been lost

New Industrial Grade Platform!

Ordering Information

Description		15A	20A
COLOR	Brown	X7591-PL	X7891-PL
	Ivory	X7591-PLI	X7891-PLI
	White	X7591-PLW	X7891-PLW
	Black	X7591-PLE	X7891-PLE
	Gray	X7591-PLG	X7891-PLG
	Lt. Almond	X7591-PLT	X7891-PLT
	Red	X7591-PLR	X7891-PLR

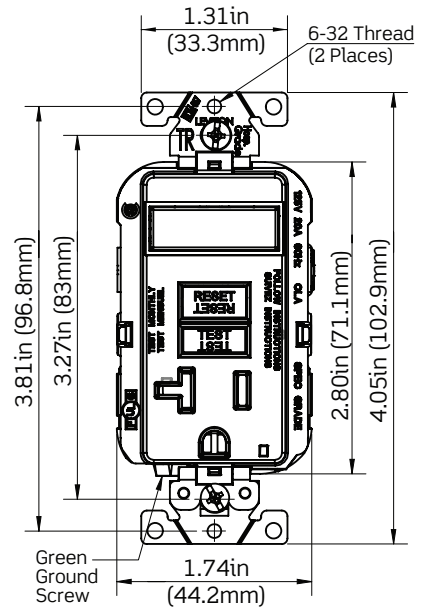
Common Applications

- Commercial Kitchens
- Vending Areas
- Food Preparation Areas
- Manufacturing Plants

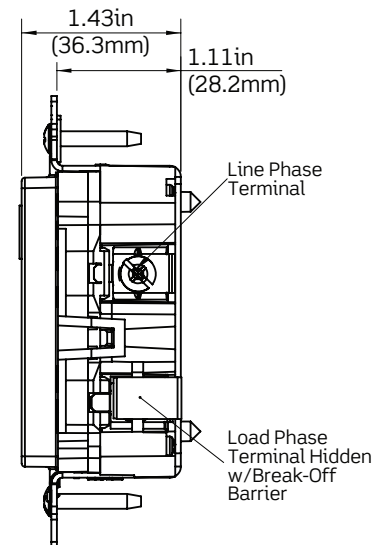
Specifications

Description	Combination Pilot Light/Single Receptacles
AC Horsepower Rating	
At Rated Voltage	1 HP
Electrical Specifications	
Amperage	15A or 20A
Voltage	125VAC
NEMA	5-15R or 5-20R
Grounding	Self Grounding
Pole	2
Wire	3
Dielectric Voltage	Withstands 1250VAC per UL 943 and CSA-C22.2 No. 144.1-06
Short Circuit Current Rating	10kA
Trip Level	Class A, 5mA plus or minus 1mA
Temperature Rise	Max 30 °C after 250 cycles OL at 200 percent rated current
Environmental Specifications	
Flammability	Rated V-0 per UL94
Relative Humidity	20% to 90% non-condensing
Operating Temperature	-35 °C to 66 °C
Material Specifications	
Face Material	PBT
Body Material	Polycarbonate
Line Contacts	Brass
Mounting Screws	Plated Steel
Grounding Screw	Plated Steel
Strap Material	Galvanized Steel
Ground Clip	Brass
Mechanical Specifications	
Terminal ID	Brass-Hot, Silver-Neutral, Green-Ground
Terminal Accom.	14-10 AWG solid or stranded
Product ID	Ratings permanently marked on device
Termination	Back or Side Wiring
Standards & Certifications	
NEMA	WD-1 & WD-6
ANSI	C-73
Certification/Listing	UL, CSA, NOM-ANCE
Applicable Standards	UL 498 and 943, CSA C22.2 Nos. 42 and 144, FedSpec W-C-596
Guarantees	
Product Warranty	2 Year Limited

Dimensions



Front View



Side View

Visit our Website at:
www.leviton.com/industrial
 email: industrial@leviton.com

Q-900

Leviton Manufacturing Co., Inc.

201 N Service Rd, Melville, NY 11747
 Telephone: 1-800-323-8920 • FAX: 1-800-832-9538
 Tech Line (8:30AM-7:30PM E.S.T. Monday-Friday): 1-800-824-3005

© 2014 Leviton Manufacturing Co., Inc. All rights reserved.

052014

