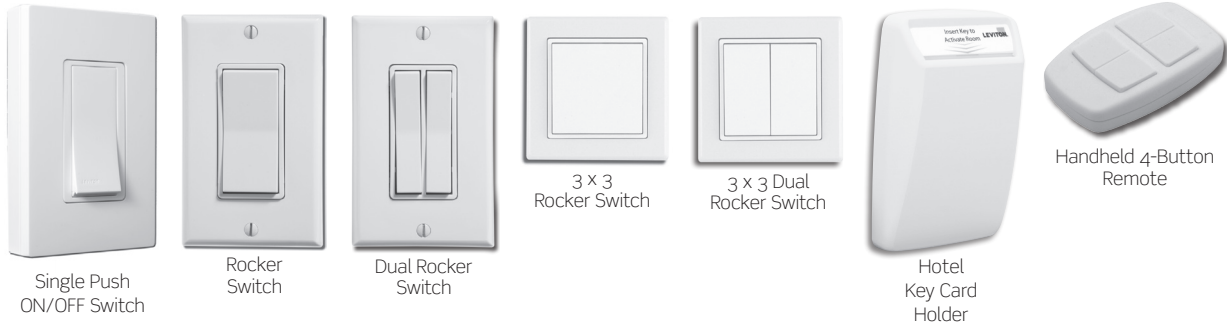


# LevNet RF Self-Powered Wireless Solutions Remote Switches



**Self-Powered Wireless technology means no wiring is required.** Leviton LevNet RF Self-Powered Wireless Solutions are easy to install and maintenance-free, utilizing no batteries and free to operate, saving ongoing labor and material costs while saving energy.

LevNet RF devices offer zero power consumption and zero maintenance for recurring savings for the building owner. EnOcean® technology allows energy harvesting LevNet RF Transmitters to operate indefinitely without the use of batteries. The human motion of a switch actuation, light on a solar cell, or temperature differentials in the environment provide power to LevNet RF Transmitters, eliminating additional expenses to the end user's energy bill and allowing zero maintenance wireless devices. The LevNet RF line includes multiple products that operate in the uncrowded 315MHz band offering greater transmission range (50-150 feet) than other wireless technologies and minimal competitive traffic.



**LevNet RF Remote Switches** can control an unlimited number of LevNet RF Receivers that are in range. LevNet RF Remote Switches use

no wires or batteries resulting in zero power consumption and no energy used. Pressing the switch or inserting a key card into a holder provides the energy to transmit a wireless signal that controls lights or other devices connected to LevNet RF Receivers. Wireless Switches are primarily used to control lights in businesses or homes, but they can be used to control virtually any on/off device.

Each Self-Powered Wireless Remote Switch can be placed anywhere within range of a Receiver. Traditionally the Remote Switch is surface mounted on a wall with screws or industrial tape, but can also be used in a standard switch box or as a wireless handheld remote. The unique ID of each Switch activates only the intended Receiver(s). Wireless, self-powered technologies make them the ideal solution for retrofits and new construction. Installation is quick and easy with no additional wiring required. It takes only minutes to install and configure.

## APPLICATIONS

- Retrofits
- Conference rooms
- Lounges/Lobbies
- Executive offices
- Daycare facilities
- Multi-location (3-way or 4-way) switching applications
- New construction
- Classrooms
- Private offices
- Restrooms
- Multimedia areas

## PRODUCT DATA

### SINGLE PUSH ON/OFF SWITCH (WSS0S-P)

Leviton Self-Powered Wireless Push ON/OFF Switches (WSS0S-P) work in conjunction with the Wireless RF Occupancy Sensors (WSC) and the RF Wall Switch Receivers to provide an optimal solution for retrofit lighting needs. The Push ON/OFF Switch is optimal for controlling single loads and a convenient multi-location (3-way or 4-way) switching solution, eliminating the need to pull additional wiring.



### SINGLE ROCKER DECORA™ SWITCH (WSS0S-D)

### DUAL ROCKER DECORA™ SWITCH (WSS0S-D2)

### 3 X 3 SINGLE ROCKER SWITCH (WSS0S-E0W/WSS0S-E0B)

### 3 X 3 DUAL ROCKER SWITCH (WSS0S-E2W/WSS0S-E2B)



Control one light or one group of lights with the Wireless Self-Powered Single Rocker Switch. One switch can control an unlimited number of LevNet RF Receivers that are within range.

Control two lights or two groups of lights with the Wireless Self-Powered Dual Rocker Switch. Each rocker can separately control an unlimited number of LevNet RF Receivers that are within range.

### HANDHELD 4-BUTTON REMOTE (WSS0S-R)

Control two lights, two groups, or four individual lights with the Handheld Remote. Each button can separately control an unlimited number of LevNet RF Receivers that are within range.



The Remote has four buttons - programmable to control up to four individual Receivers or dependent groups. Small enough to fit in the palm of your hand, you can also keep it in your pocket, on a table, or leave it in your car to turn lights on as you pull up to a building or house.

### HOTEL KEY CARD HOLDER (WSS0S-H)

The Self-Powered Wireless Hotel Key Card Holder is designed to create energy saving solutions for the hospitality industry. Energy is saved by ensuring that no devices are left on when the room is not in use. Inserting a Key Card provides the energy to transmit a wireless signal to LevNet RF Receivers that control lights or other devices in the room.



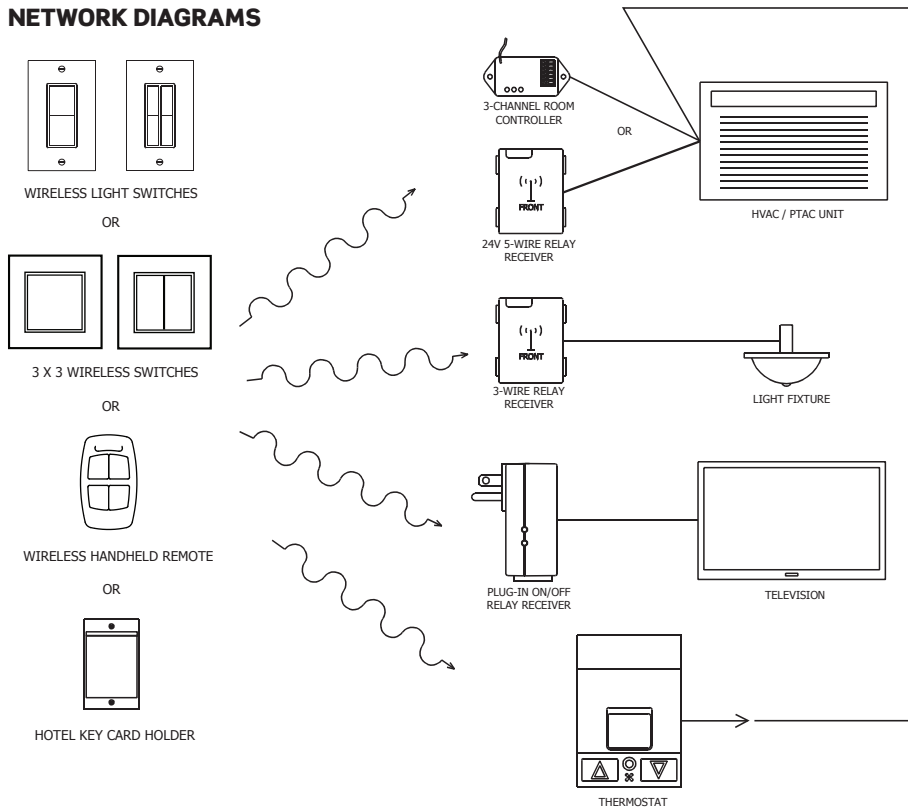
When entering a room, a Key Card is inserted into the holder and a wireless signal is sent to the Receivers that control the loads in the room. The individual Receivers then provide power to the corresponding loads by closing the circuit. When the user exits the room and removes the Key Card from the holder, another wireless signal is sent to the Receivers to open the circuits. Receivers then disconnect power to the devices.

**Ideal for energy-saving hotel room controls** - occupancy-based control of lights and devices, integrated HVAC and lighting control, and optional master ON/OFF controls.

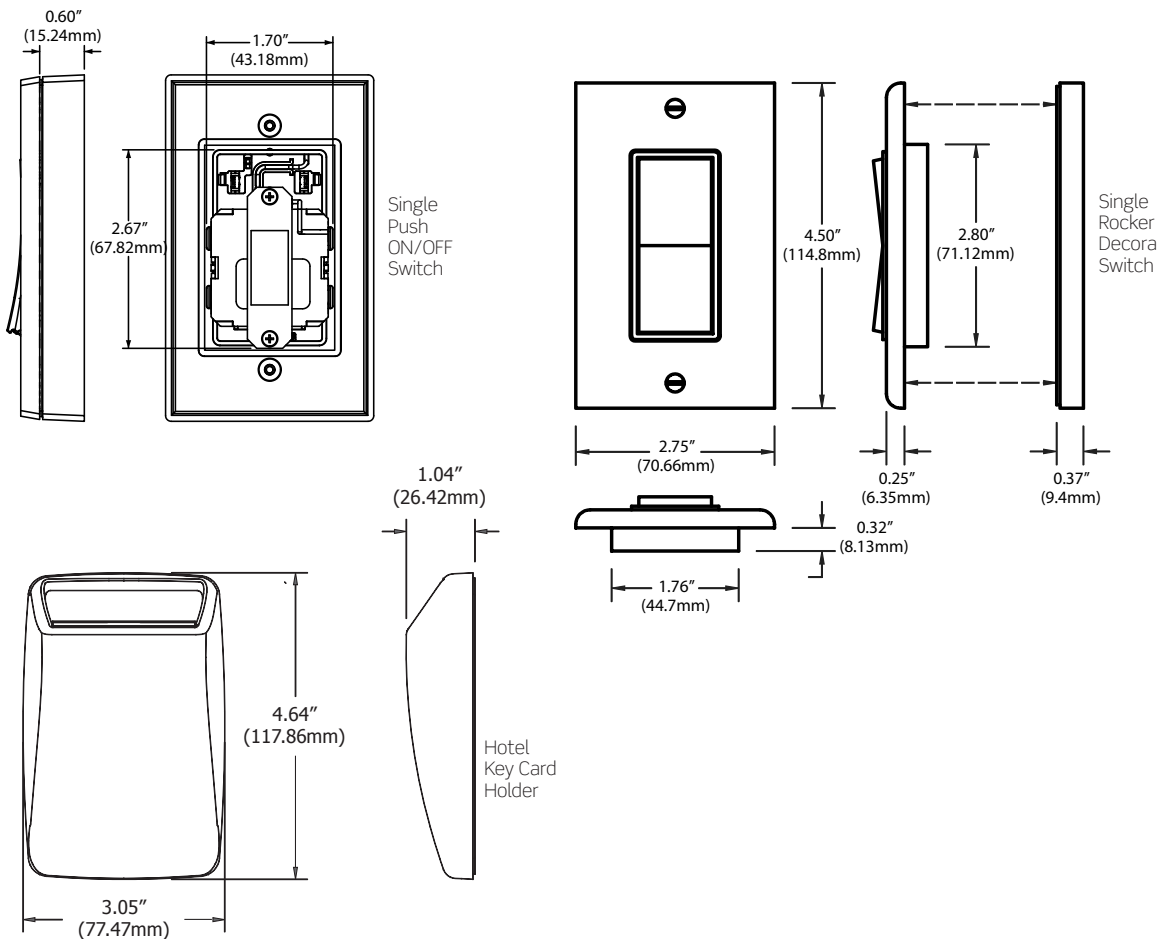
## FEATURES

- **Zero Power Consumption:** the motion of a switch actuation provides the energy to power the device, eliminating additional expenses to the end user's energy bill
- **Zero External Power Required:** with no power wire limitations, this offers the installer flexibility to place the RF switch anywhere
- **Quick Charge Time to Operation:** self-powered technology enables the RF device to be operational immediately
- **True Wireless:** RF switches are self-powered and communicate with all LevNet RF and EnOcean Receivers via radio frequency
- **No Additional Wiring:** self-powered wireless technology eliminates the need to pull additional wire making installation quick and easy and increasing labor savings with little to no impact to business during conversion
- **No Batteries or External Power Required:** exclusive "battery-less" technology significantly reduces callbacks and maintenance for additional savings
- **Additional Energy Savings:** wireless technology supports simplified daylight harvesting and manual override options with no additional wiring
- **Toggle style ON/OFF switching:** provides remote control for any pushbutton manual-ON/OFF light switching of a single load at any time
- **Rocker style ON/OFF switching:** provides remote control for manual-ON/OFF light switching of each multiple light load at any time; top button = ON, bottom button = OFF (WSS0S-D, WSS0S-D2, WSS0S-E, and WSS0S-E2)
- **Momentary style ON/OFF Switching:** provides remote control for pushbutton manual-ON/OFF light switching of each multiple light load at any time; hold button=ON, release button = OFF
- **Convenient multi-location (3-way or 4-way) switching:** mount Switches anywhere, create 3-way or 4-way switches, control lights, motors, or other electrical loads, and reconfigure or relocate as needed
- **Save energy:** create manual-ON/auto-OFF controls using LevNet RF Switches and occupancy sensors or by programming all lights to respond to a single master switch
- **Control the way you want it:** use with multiple line voltage or low voltage LevNet RF Receivers, control an unlimited number of LevNet RF Receivers within range for wireless dimming or ON/OFF control

**NETWORK DIAGRAMS**



**DIMENSIONS**



LEVNET RF REMOTE SWITCHES	
Frequency	315MHz
Range	50-150'
Transmission interval	Human touch
Transmission time	Milliseconds
Transmissions	3-5 packets per press or release
Mechanical Cycles	>50,000
Device Address	Unique from factory
Power Supply	Self-generated when Switch is pressed or Key Card is inserted into the switch
Output Channels	Only limited by number of Receivers in range
Usage	Indoors only
Operating Temperature Range	32°F to 104°F (0°C to 40°C)
Radio Certification	FCC Certified for Wireless Communication (U.S.), I.C. Certified (Canada)
Warranty	Limited Five-Year
SINGLE PUSH ON/OFF REMOTE SWITCH (WSSoS-P)	
Pushbutton	1 Single Pushbutton
Dimensions	1.75" W x 4.06" H x 0.48" D (44.45mm x 103.12mm x 12.19mm)
SINGLE ROCKER DECORA™ SWITCH* (WSSoS-D) DUAL ROCKER DECORA™ SWITCH* (WSSoS-D2)	
Rockers	WSSoS-D0: 1 Rocker, 2 pushbuttons WSSoS-D2: 2 Rockers, 4 pushbuttons
Dimensions	2.75" W x 4.5" H x 0.62" D (69.85mm x 114.30mm x 15.75mm)
3 X 3 SINGLE ROCKER SWITCH (WSSoS-E0W   WSSoS-E0B) 3 X 3 DUAL ROCKER SWITCH (WSSoS-E2W   WSSoS-E2B)	
Rockers	WSSoS-E0: 1 Rocker, 2 pushbuttons WSSoS-E2: 2 Rockers, 4 pushbuttons
Dimensions	3.39" W x 3.29" H x 0.41" D (86.11mm x 83.57mm x 10.41mm)
HANDHELD 4-BUTTON REMOTE (WSSoS-RoW)	
Pushbutton	4 Individual Pushbuttons
Dimensions	1.85" W x 3.15" H x 0.7" D (46.99mm x 80.01mm x 17.78mm)

HOTEL KEY CARD SWITCH (WSSoS-HoW)	
Card Slot	1 (card IN, card OUT) (momentary)
Dimensions	4.52" H x 2.78" W. x 1.38" D (114.8mm x 70.6mm x 35mm)
Recommended Card Size (cards not included)	2.125" W x 3" L (54mm x 76mm) (standard credit card size)
Operating Temperature Range	-13°F to +149°F (- 25°C to + 65°C)

**ORDERING INFORMATION**

CAT. NO.	DESCRIPTION
WSSoS-P*	Single Push ON/OFF Switch
WSSoS-D*	1-Gang Single Rocker Decora™ Switch
WSSoS-D2*	1-Gang Dual Rocker Decora™ Switch
WSSoS-EoW	3 x 3 Single Rocker Switch, White
WSSoS-EoB	3 x 3 Single Rocker Switch, Black
WSSoS-E2W	3 x 3 Dual Rocker Switch, White
WSSoS-E2B	3 x 3 Dual Rocker Switch, Black
WSSoS-RoW	Handheld 4-Button Remote
WSSoS-HoW	Hotel Key Card Holder

\*To indicate color, add suffix to the end of the catalog number. Available in White (-W), Ivory (-I), Light Almond (-T), Gray (-G), and Ebony (-E). NAFTA and Made in USA models available.

LEVITON SPECIFICATION SUBMITTAL	
JOB NAME:	CATALOG NUMBERS:
JOB NUMBER:	

**Leviton Manufacturing Co., Inc. Lighting Management Systems**

201 N. Service Rd. Melville, NY 11747-3138 Tech Line: 1-800-824-3005 Fax: 1-800-832-9538 www.leviton.com/lms

**Leviton Manufacturing of Canada, Ltd.**

165 Hymus Boulevard, Pointe Claire, Quebec H9R 1E9 • Telephone: 1-800-469-7890 • FAX: 1-800-563-1853

**Leviton S. de R.L. de C.V.**

Lago Tana 43, Mexico DF, Mexico CP 11290 • Tel. (+52) 55-5082-1040 • FAX: (+52) 5386-1797 • www.leviton.com.mx

Visit our Website at: [www.leviton.com/lms](http://www.leviton.com/lms)

© 2010 Leviton Manufacturing Co., Inc. All rights reserved. Subject to change without notice.