



Color:  Blue

UPC Code: 07847743449

Country Of Origin: Mexico

NEMA:  
5-20R



## T7380-B

### Brand Features

Leviton's Surge Protection Devices can be used individually or as part of a coordinated application strategy, to protect sensitive electronic equipment, in industrial, commercial and residential locations, from the stress and degradation inflicted by voltage transients. Leviton Surge Protection Devices are compliant with UL 1449 Standards. Leviton's outstanding Surge Protection Devices divert damaging voltage transients, or surges, away from electronic equipment. Transients are diverted away from sensitive micro circuitry, providing protection against catastrophic failure, costly downtime and data disruptions.

### Item Description

Decora Plus Surge Protective Duplex Receptacle Outlet, Commercial Specification Grade, Tamper-Resistant, 20 Amp, 125 Volt, Back or Side Wire, NEMA 5-20R, 2-Pole, 3-Wire, Self-Grounding - Blue

### Technical Information

#### Electrical Specifications

**Amperage:** 20 A  
**Current Limiting:** Full Rated Current  
**Dielectric Voltage:** Withstands 2000V per UL498  
**Grounding:** Self-Grounding  
**Pole:** 2  
**Temperature Rise:** Max 30C after 250 cycles OL at 200 percent rated current  
**Voltage:** 125 VAC  
**Wire:** 3

#### Environmental Specifications

**Flammability:** Rated V-2 per UL94  
**Operating Temperature:** -40°C to 60°C

#### Material Specifications

**Body Material:** Polycarbonate  
**Clamp Nuts:** Zinc-Plated Steel  
**Face Material:** Nylon  
**Ground Clips:** Brass-Plated Steel  
**Grounding Screw:** Brass-Plated Steel  
**Line Contacts:** Brass Triple-Wipe  
**Shutter Mechanism:** Delrin® Acetal  
**Terminal Screws:** Brass-Plated Steel  
**Yoke:** Zinc-Plated Steel

#### Mechanical Specifications

**Product ID:** Ratings are permanently marked on device  
**Terminal Accom.:** 14-10 AWG  
**Terminal ID:** Brass-Hot, Green-Ground, Silver-Neutral  
**Torque Range:** 14-16 inch pounds  
**Termination:** Back or Side Wire

#### Performance Data

**Diagnostics:** Indicator Light & Audible Alarm  
**Joules Rating:** 720  
**Maximum Surge Current, Per Mode (Per Phase):** 27kA (L-N:18kA, L-G:9kA)  
**MCOV:** 150V rms  
**Noise Rejection:** -30dB at 500kHz-30MHz  
**Nominal Discharge Current Rating:** 3kA  
**Short Circuit Current Rating:** 5kA  
**VPR:** L-N: 600V, L-G: 700V, N-G: 600V

#### Product Features

**Color:** Blue  
**NEMA:** 5-20R  
**Device Type:** Duplex Receptacle Outlet  
**Grade:** Commercial Specification Grade  
**Brand:** Decora Plus  
**Function:** Surge Protective  
**Feature 2:** Tamper-Resistant

#### Standards and Certifications

**Agency Certifications:** UL 498, UL 1449 3rd Edition Listed and CSA C22.2 Certified Type 3

**ANSI:** C-73

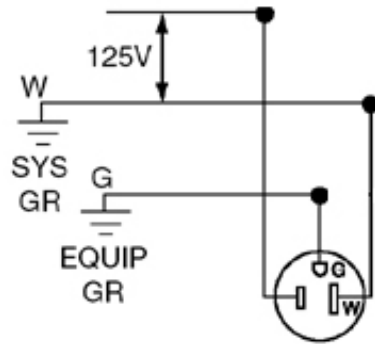
**NEMA:** WD-6

**NOM:** 057

#### Warranty

**Product Warranty:** 10-Year Limited

### Wiring Diagram



5-15R

### SPECIFICATION SUBMITTAL

JOB NAME: <input type="text"/>	CATALOG NUMBERS: <input type="text"/>	
JOB NUMBER: <input type="text"/>	<input type="text"/>	<input type="text"/>

#### Leviton Manufacturing Co., Inc.

201 North Service Road, Melville, NY 11747

Teléfono: +1-800-323-8920 · FAX: +1-800-832-9538 · Tech Line (8:30AM-7:30PM E.S.T. Monday-Friday): +1-800-824-3005

#### Leviton Manufacturing of Canada, Ltd.

165 Hymus Boulevard, Pointe Claire, Quebec H9R 1E9 · Telephone: +1-800-469-7890 ·

FAX: +1-800-824-3005 · [www.leviton.com/canada](http://www.leviton.com/canada)

#### Leviton S. de R.L. de C.V.

Lago Tana 43, Mexico DF, Mexico CP 11290 · Tel.: (+52)55-5082-1040 · FAX: (+52)5386-

1797 · [www.leviton.com.mx](http://www.leviton.com.mx)

#### Visit our Website at: [www.leviton.com](http://www.leviton.com)

© 2018 Leviton Manufacturing Co., Inc. Todos los derechos reservados. Subject to change without notice.

#### Leviton has a global presence.

If you would like to know where your local Leviton office is located please go to:

[www.leviton.com/international/contacts/](http://www.leviton.com/international/contacts/)

