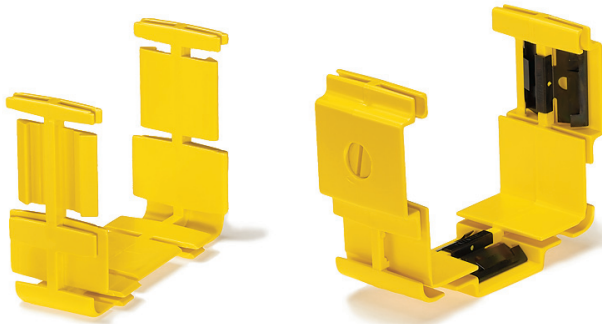


## Fiber Raceway Joiners and Slotless Joiners

### APPLICATION

Joiners and Slotless Joiners provide a means to connect all Fiber Raceway components to each other and/or ducting. Slotless Joiners are universal and will join the ducting with or without end slots. Regular Joiners are tool-free on assembly when used to connect components and ducting with end slots.



### SPECIFICATION

Joiners and Slotless Joiners shall be used to connect raceway and components. Slotless Joiners shall connect raceway ducting with or without end slots. Regular joiners shall be used to snap together all components and ducting with end slots without the use of tools. Components shall be UL listed and manufactured of fire retardant materials.

### FEATURES

- Available in four sizes
  - 2" x 2"
  - 4" x 4"
  - 4" x 8"
  - 4" x 12"
- Creates a smooth and firm connection between ducting and components
- Joiners require slotting tools when used with ducting where the end slots have been removed. No tools are needed to attach ducting with end slots
- Slotless Joiners are universal and lock tightly into place with any flathead screwdriver
- Available in yellow, orange, black, and grey

### DESIGN CONSIDERATIONS

- Manufactured of a fire retardant plastic that is halogen free and low smoke
- May be utilized in a system containing copper cable. It is recommended that fiber and copper be stored in separate systems
- Joiners are tool-free
- Designed to work with ducting and components with end slots
- Slotless Joiners are "universal"
- Connects ducting that has been cut down to size where end slots have been removed

### STANDARDS COMPLIANCE

UL 94V-0 Material Rating for Flammability  
Meets NEBS GR-63-CORE\*  
UL 2024A Optical Fiber Raceway, Riser Rated

### PHYSICAL SPECIFICATIONS

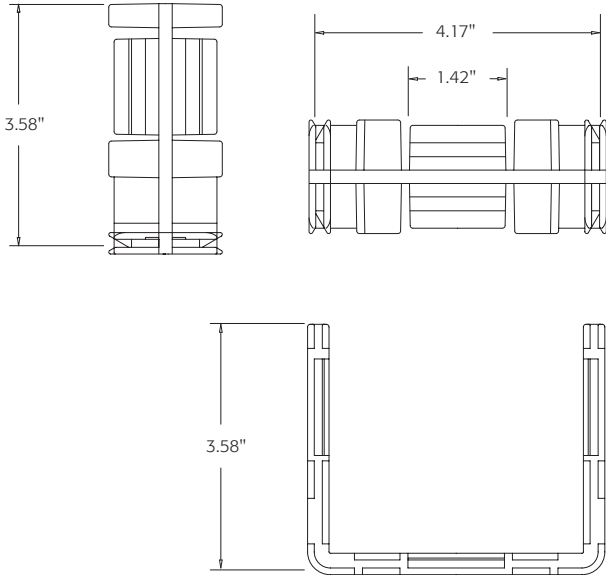
Dimensions: See page two  
Materials: Noryl Plastic  
Color: See page two

### WARRANTY INFORMATION

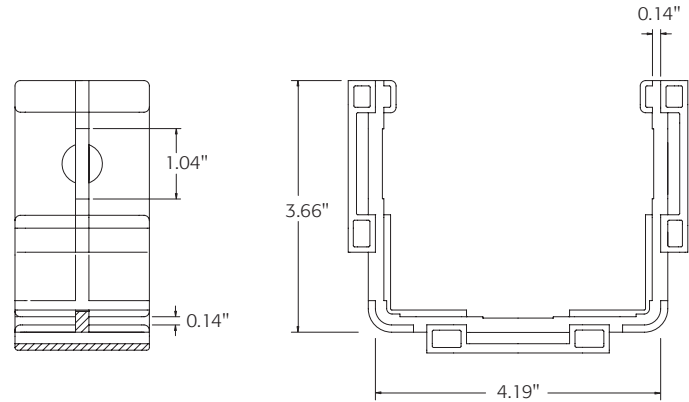
For a copy of Leviton product warranties, visit [www.leviton.com](http://www.leviton.com).

**ELECTRONIC FILES**

For CAD files, typical specs, or technical drawings (.DXF, .DWG, VISIO), visit [www.leviton.com](http://www.leviton.com)



**Pictured: Joiner**



**Pictured: Slotless Joiner**

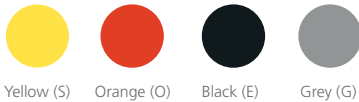
**XXJNR-SLX**

**PART NUMBERS**

Description	Part No.
Joiner 2" x 2"	S2JNR-SLT
Joiner 4" x 4"	*4JNR-SLT
Joiner 4" x 8"	S8JNR-SLT
Slotless Joiner 4" x 4"	*4JNR-SLS
Slotless Joiner 4" x 8"	S8JNR-SLS
Slotless Joiner 4" x 12"	SWJNR-SLS

Dimensions listed as H x W.

\* = Color: Choose from any of the colors below. Grey is special order and requires additional lead time.



Contact inside sales at 800.722.2082 to order.  
Callers from outside the U.S. and Canada please dial 1.425.486.2222

**ACCESSORIES**

Description	Part No.
2" End Slot Tool (for use with 2" x 2" Joiners)	SSLOT-050
4" x 8" End Slot Tool (for use with 4" x 4" and 4" x 8" Joiners)	SSLOT-200

