

# ODCOP-D0W Low Voltage 1-10V Dimming Photocell



## DESCRIPTION

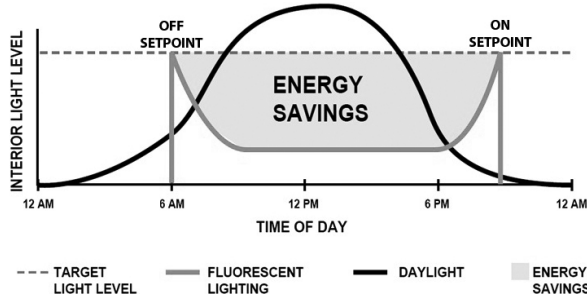
The Leviton ODCOP-D0W is an interior low voltage photocell capable of continually dimming between 1-10VDC based on the amount of natural light contribution. It is a low-power, high-sensitivity mini-daylight harvesting system for precise monitoring of either task or ambient light levels. The ODCOP-D0W's digital onboard microprocessor adjusts light levels by mimicking the spectral response of the human eye for single zone dimming. The ODCOP-D0W uses patented Daylighting Design Level (DDL) technology for precise load dimming that maintains desired light level.

Ideal for existing retrofits and daylight harvesting applications, the ODCOP-D0W can be used with 1-10V sinking loads types and is a cost-effective solution when paired with dimming drivers/ballasts.

## OPERATION

The ODCOP-D0W must be hard wired to a compatible Leviton 24VDC power supply to provide the photocell with power. The ODCOP-D0W measures ambient light in a space and dims fixtures to a targeted lighting level in that specific area. Connection to optional power pack provides true ON/OFF switching.

## DAYLIGHT DESIGN LEVELS



## FEATURES

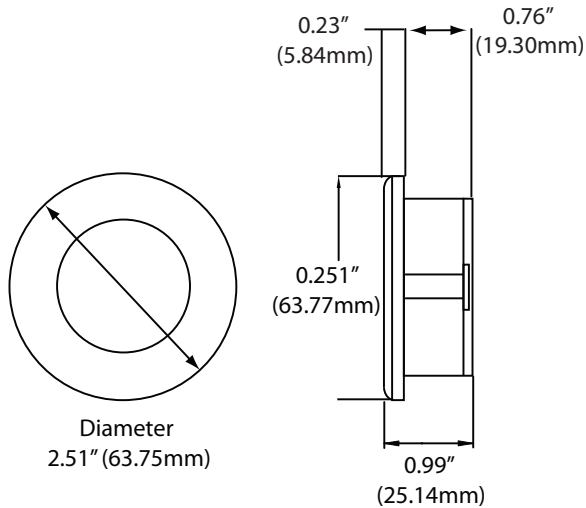
- Dimmed lighting at a desired daylight design level offers greater energy savings and comfort and improved energy efficiency
- Leviton-exclusive, patented Auto-Calibration™ eliminates the need for configuring labor costs during daylight harvesting configuration
- Industry-exclusive fail-safe circuitry: in the event of product failure, return-to-closed feature causes the relay to default to ON which eliminates life safety concerns
- Fade rate time setting 3-30 minutes
- Controls 1-10V sinking ballast
- No additional power supply required for 1-10V sinking operation
- Dim to OFF — over DDL for 30 seconds then lights OFF
- Test Mode — 30 second fade rate for 15 minutes then auto exit
- Provides ultra-convenient, hands-free lighting control
- Measures light from any source in the visible spectrum within a 60° cone at 8-12' mounting height
- Provides continual measurements to control the lighting
- Mounts on ceiling — surface mount or low-profile flush mount
- LED status indicators for ease of installation
- CA Title 20/24 compliant

ODCOP-D0W Low Voltage 1-10V Dimming Photocell

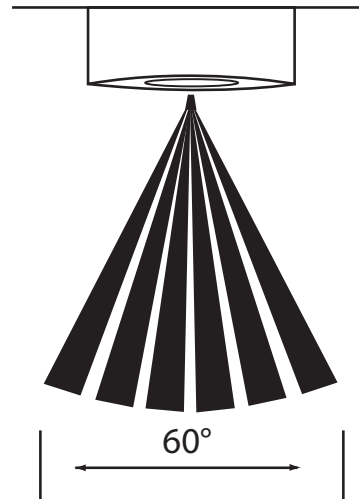


## PRODUCT DATA

### DIMENSIONS



### FIELD OF VIEW



### INSTALLATION - Low Voltage Class 2

#### Wiring

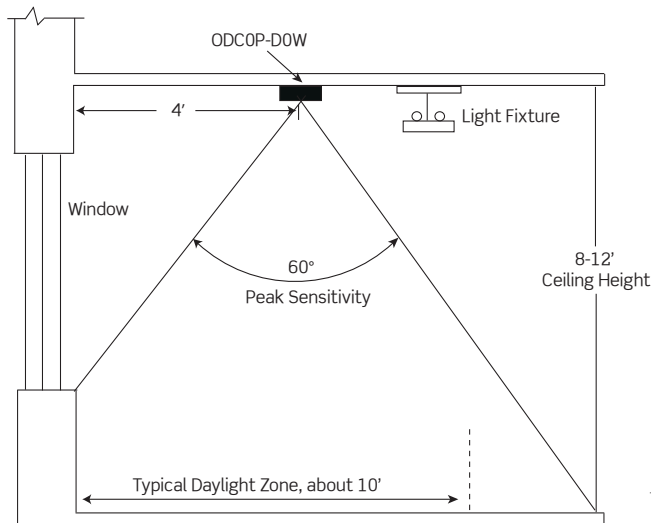
- Connects directly to an OPP20 Series Power Pack (OPP20-RD3 or OPP20-RD4) and 1-10V dimming ballasts
- May be installed directly above workspace
- Use with standard Class 2 wiring

### OPERATION

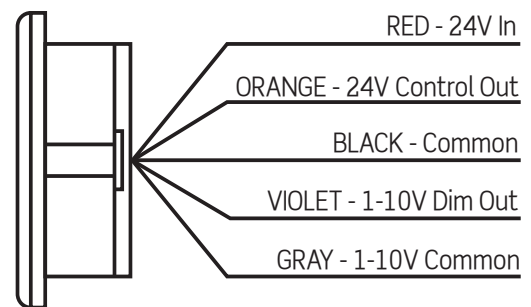
- Measured light level < Target Level  
Action: Lights level increases
- Measured light level > Target Level  
Action: Lights level decreases
- Control output state (Orange wire):
  - Photocell not calibrated, factory default state: lights ON, output is 0V
  - Photocell calibrated, light needed state: lights ON, output is 0V
  - Photocell calibrated, light NOT needed state: lights OFF, output is 12-24V

### LOW VOLTAGE PHOTOCELL PLACEMENT

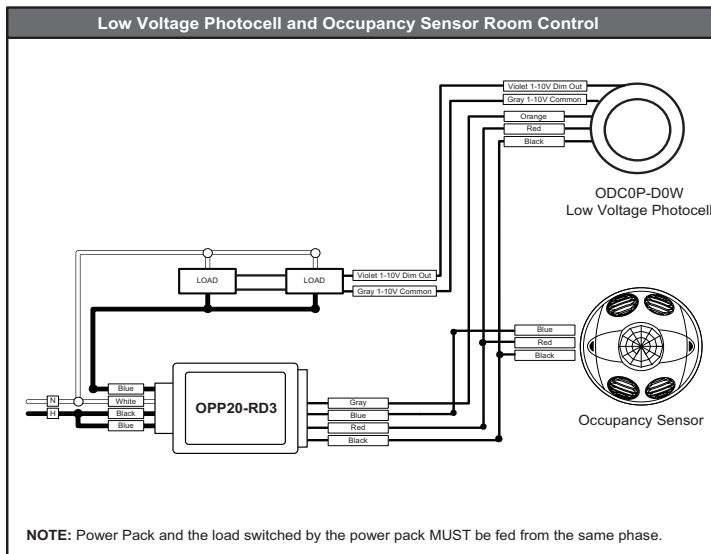
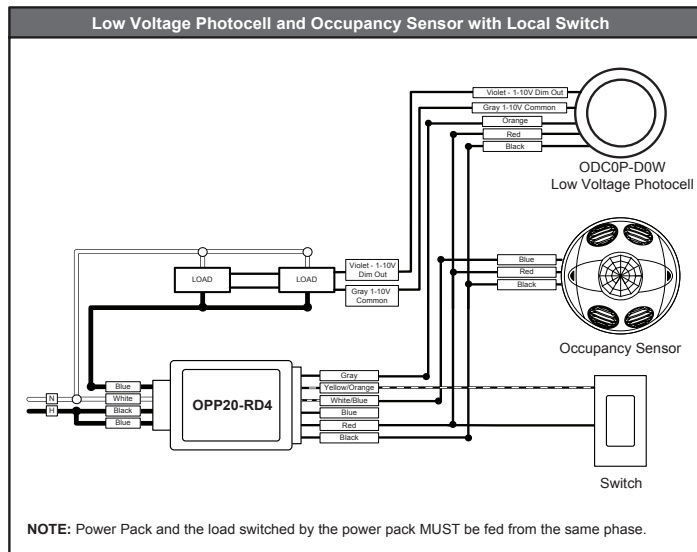
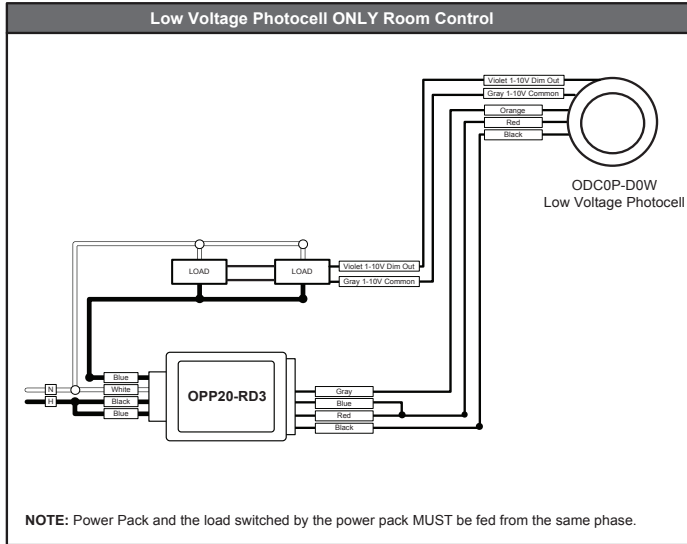
#### Closed Loop Application



### WIRING DIAGRAM



**WIRING DIAGRAMS**



**ODC0P-D0W Low Voltage Photocell**

## PRODUCT DATA



### SPECIFICATIONS

ELECTRICAL	
Input Voltage	12-24VDC
Input Current	10mA
Output Current, Dimming Output	0.5-20mA
Operating Power Consumption	1W
Standby Power Consumption	<1/2W
Light Sensitivity	1-1,600 FC (10-16,000 LUX)
Output Voltage, Switching Output	Switched: 12 to 24VDC Dimming: 1-10V sinking
Testing/Code Compliance	CA Title 20/24 compliant, NYC LL48 compliant, ASHRAE Standard 90.1 2010 compliant, UL 916 listed, FCC certified
PHYSICAL	
Diameter	2.51" (63.5mm)
Depth	0.99" (25.2mm)
Color	White
ENVIRONMENTAL	
Operating Temperature Range	32-131°F (0-55°C)
Storage Temperature Range	14-185°F (-10-85°C)
Relative Humidity	20-90% non-condensing
OTHER	
Warranty	Limited 5-year warranty

### ORDERING INFORMATION

CAT. NO	DESCRIPTION
ODCOP-D0W	Low Voltage Photocell, 1-10VDC

ODCOP-D0W Low Voltage Photocell

#### Leviton Manufacturing Co., Inc. Global Headquarters

201 N. Service Rd. Melville, NY 11747-3138 • Tech Line: 1-800-824-3005 • FAX: 1-800-832-9538

#### Leviton Manufacturing Co., Inc. Lighting & Energy Solutions

20497 SW Teton Avenue, Tualatin, OR 97062 Telephone: 1-800-736-6682 • FAX: 503-404-5594 • Tech Line (6:00-4:00 Monday-Friday): 1-800-959-6004

#### Leviton Manufacturing of Canada, Ltd.

165 Hymus Boulevard, Pointe Claire, Quebec H9R 1E9 • Telephone: 1-800-469-7890 • FAX: 1-800-563-1853

#### Leviton S. de R.L. de C.V.

Lago Tana 43, Mexico DF, Mexico CP 11290 • Tel. (+52) 55-5082-1040 • FAX: (+52) 5386-1797 • www.leviton.com.mx

#### Visit our Website at: [www.leviton.com/les](http://www.leviton.com/les)

© 2015 Leviton Manufacturing Co., Inc. All rights reserved. Subject to change without notice.

G-9308/A15-aa