

Provolt™ Series Dual Relay Vacancy Sensors



DESCRIPTION

The Leviton Provolt™ Series Dual Relay Vacancy Sensors combine line voltage vacancy sensors into a self-contained unit. The integrated design alleviates the need for separate power pack and vacancy sensor wiring making it a low-cost, efficient energy solution for new construction and retrofits. Vacancy timers continually analyze and adjust to changing conditions using the latest microprocessor-based technology to optimize performance. Manual-ON/auto-OFF requires lights to be manually turned ON and will automatically turn lights OFF when no occupancy is detected. Wire terminals allow for simple connection to a line-voltage circuit and are ideal for existing buildings with limited access to wiring and new construction.

APPLICATIONS

- Can be used to comply with 2016 Title 24, Part 6 vacancy sensing requirements
- Manual-ON/auto-OFF

FEATURES

- Auto-adapting: time delay and sensitivity are continually adjusted to occupancy pattern of use
- Vacancy sensing time outs:
 - Delayed OFF timer
 - Exclusive walk-through feature
 - False detection timer: (M/T) PIR scans for movement and shuts lights off after 31 minutes of vacancy preventing false triggers from HVAC systems (U/S)
 - Time delay and saved settings are protected during power outages and will return to the last known state
- Output short circuit protection

- Industry-exclusive self-configuring local manual switch input: Momentary or maintained switches are supported
- Adjustable time delay: 30s, 5min, 10min, 20min, 30min
- Test mode for simplified commissioning
- Manual Switch and Emergency Override are Class 1 or Class 2 circuits. Class 2 circuits provided for flexibility
- Industry-exclusive “fail-safe” circuitry: In the event of product failure, return-to-closed feature causes the relay to default ON which eliminates life safety concerns
- Industry-exclusive H.I.S. (High Inrush Stability) technology designed to handle today’s high inrush electronic ballast loads and offer unmatched durability and service
- Robust and reliable mechanically held 8A latching relay provides dependability and robust performance for all load types and provides energy savings over electronically held relays
- Field of view: units from 1,000 to 2,000 square feet available
- Lenses on PIR models are easily replaceable and color-coded red (mid range) for contractors and end-users to easily identify lenses from the ground



PRODUCT DATA

FEATURES

- Robust and reliable mechanically held 8A latching relay provides dependability and robust performance for all load types and provides energy savings over electronically held relays
 - Red—blinks when infrared is detecting motion and solid during device malfunction
 - Yellow—blinks during test mode; solid with emergency/BMS input
 - Blue—blinks when knob settings are changed
 - Green—blinks when U/S is detected

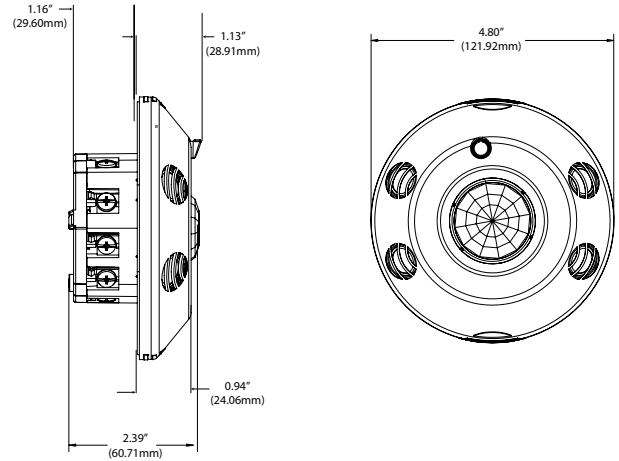
RATINGS AND TESTING

- Zero-crossing circuitry for extended life of the relay
- Tested to exceed 1 million switching cycles under standard loads
- Multiple compliance and regulatory UL testing—consult factory for details
- Passed rigorous NEMA 410 testing for electronic ballast rating
- BMS Input/Emergency Override: UL 924 listed for Emergency and Egress lighting control

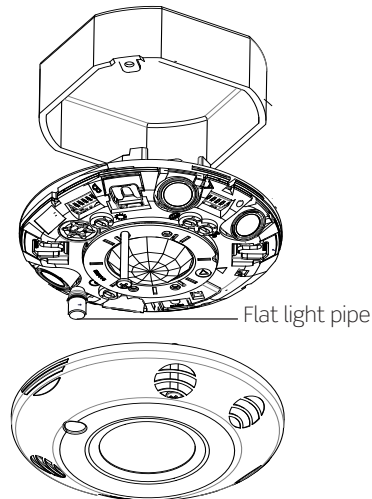
INSTALLATION

- Easy installation into junction boxes with Leviton-exclusive screw guides, coasters and terminal blocks
- Front cover snaps on and off for ease of installation

DIMENSIONS

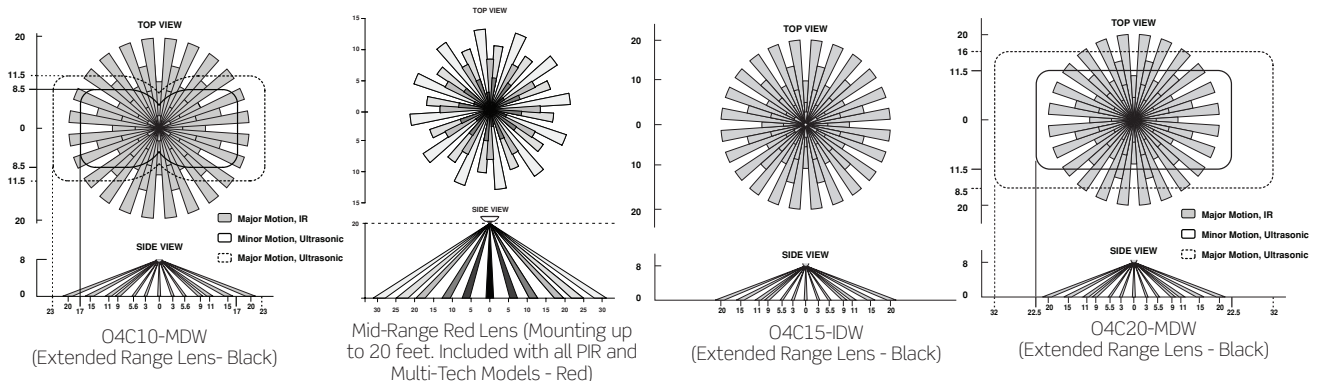


INSTALLATION



Sensors conveniently mount to a standard 4" x 4" octagon electrical box per NEC standards.

FIELD OF VIEWS



PRODUCT DATA



SPECIFICATIONS

ELECTRICAL			
Input Voltage	120V, 50/60Hz	230V, 50Hz	277V, 50/60Hz
Load Rating	8A, Electronic Ballast, 800/VA, Tungsten, Ballast, 1/4 HP Motor	6A/6AX, Electronic Ballast, Tungsten, Magnetic Ballast, 1/3 HP Motor	5A, Electronic Ballast, 1200VA Ballast, 1/3 HP Motor
Current Consumption	60-30ma		
ENVIRONMENTAL			
Operating Temperature	32° to 104° F (0° to 40° C)		
Storage Temperature	-15° to 160° F (-26° to 71° C)		
Relative Humidity	0% to 90% non-condensing		
OTHER			
Listings	Can be used to comply with 2016 Title 24, Part 6 vacancy sensing requirements, UL 773A (Occupancy Standard), UL 924 (Emergency Equipment), cUL listed, CE compliant, NOM certified, RoHS compliant, NY LLC48 compliant		
Warranty	5-Year Limited Warranty		

ORDERING INFORMATION

CAT. NO.	DESCRIPTION
VACANCY MODELS	
04C10-MDW	Multi-Technology Ceiling Mount Line Voltage Dual Relay Vacancy Sensor, 1,000SF, 120-277V
04C15-IDW	Passive Infrared Ceiling Mount Line Voltage Dual Relay Vacancy Sensor, 1500SF, 120-277V
04C20-MDW	Multi-Technology Ceiling Mount Line Voltage Dual Relay Vacancy Sensor, 2000SF, 120-277V

Provolt™ Series Dual Relay Vacancy Sensors

Leviton Manufacturing Co., Inc. Global Headquarters

201 North Service Road, Melville, NY 11747-3138 tech line 800-824-3005 fax 800-832-9538

©2017 Leviton Manufacturing Co., Inc. All rights reserved. Subject to change without notice.

PRODUCT DATA

Provolt™ Series Dual Relay Vacancy Sensors

Leviton Manufacturing Co., Inc. Global Headquarters

201 North Service Road, Melville, NY 11747-3138 **tel** 800-323-8920 **fax** 800-832-9538 **tech line** (8:30AM-7:00PM ET Mon-Fri) 800-824-3005

Leviton Manufacturing Co., Inc. Energy Management, Controls and Automation

20497 SW Teton Avenue, Tualatin, OR 97062 **tel** 800-736-6682 **fax** 503-404-5594 **tech line** (6:00AM-4:00PM PT Mon-Fri) 800-959-6004

Visit our Website at: www.leviton.com/provolt

©2017 Leviton Manufacturing Co., Inc. All rights reserved. Subject to change without notice.

G-9152B/L17-aa
REV DEC 2017