



UPC Code: 07847749515

Country Of Origin: Mexico

## M1221-L

### Item Description

20 Amp, 120/277 Volt, Single-Pole AC Tamper-Resistant Key Toggle Switch, Extra Heavy Duty Specification Grade, Self Grounding, Lev-Lok Modular – BROWN  
**Mating Lev-Lok Wiring Module Required for Use**

### Technical Information

#### AC Horsepower Ratings

**HP Rating:** 1HP-120V 2HP-240V

#### Electrical Specifications

**Amperage:** 20 A

**Voltage:** 120/277 VAC

**Grounding:** Self-Grounding

**Dielectric Voltage:** Withstands 1500V for 1 minute

**Overload UL20 Test:** 100 cycles of OL at 4.8 times rated current

**Temperature Rise:** Maximum 30 degrees C rise

**Endurance:** 50,000 cycles minimum

#### Environmental Specifications

**Flammability:** Rated V-2 per UL94

**Operating Temperature:** -40°C to 65°C

#### Material Specifications

**Strap Material:** Galvanized Steel

**Base Material:** PBT

**Toggle:** Polycarbonate

**Cover Material:** Nylon

**Contact Material:** Silver Alloy

**Ground Clips:** Brass

**Dome:** Nylon

**Color:** Brown

#### Mechanical Specifications

**Product ID:** Markings are permanently marked on device

**Termination:** Modular

#### Product Features

**Color:** Brown

**Grade:** Extra Heavy-Duty Industrial Specification Grade

**Brand:** Lev-Lok

**Function:** Single-Pole

**Device Type:** Tamper-Resistant Toggle Switch

#### Standards and Certifications

**NEMA:** WD-1 & WD-6

**ANSI:** C-73

**NOM:** 057

**RoHS:** Compliant

**Warranty:** 10 Year Limited

**cULus:** File # E7458

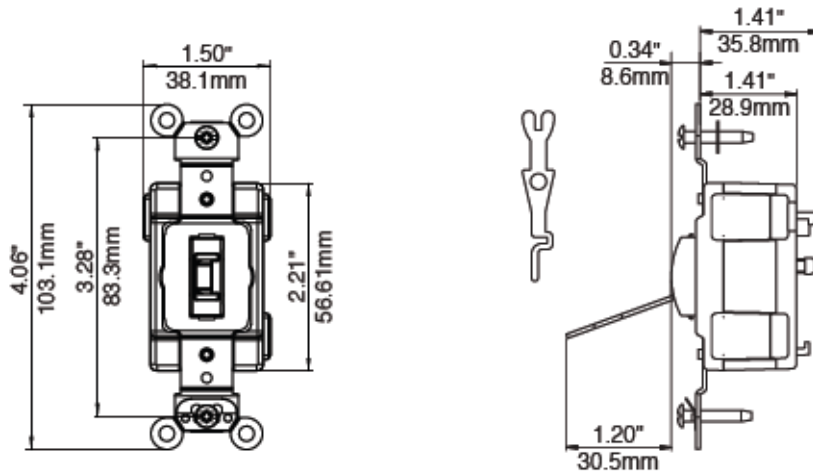
### Patents\*

CA2655707 US7666010

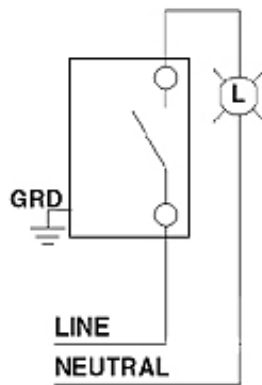
CA2667092 US8096818

US7357652

\*This list is provided for patent marking purposes only. A good faith effort is made to maintain the accuracy and completeness of this list. No legal inference should be drawn from the omission of a patent from this list.



**Wiring Diagram  
Single Pole**



**SPECIFICATION SUBMITTAL**

JOB NAME: <input type="text"/>	CATALOG NUMBERS: <input type="text"/>	
JOB NUMBER: <input type="text"/>	<input type="text"/>	<input type="text"/>

**Leviton Manufacturing Co., Inc.**

201 North Service Road, Melville, NY 11747

Teléfono: +1-800-323-8920 · FAX: +1-800-832-9538 · Tech Line (8:30AM-7:30PM E.S.T. Monday-Friday): +1-800-824-3005

**Leviton Manufacturing of Canada, Ltd.**

165 Hymus Boulevard, Pointe Claire, Quebec H9R 1E9 · Telephone: +1-800-469-7890 ·

FAX: +1-800-824-3005 · www.leviton.com/canada

**Leviton S. de R.L. de C.V.**

Lago Tana 43, Mexico DF, Mexico CP 11290 · Tel.: (+52)55-5082-1040 · FAX: (+52)5386-

1797 · www.leviton.com.mx

Visit our Website at: [www.leviton.com](http://www.leviton.com)

© 2018 Leviton Manufacturing Co., Inc. Todos los derechos reservados. Subject to change without notice.

**Leviton has a global presence.**

If you would like to know where your local Leviton office is located please go to:

[www.leviton.com/international/contacts/](http://www.leviton.com/international/contacts/)

