

LNR80-1E



Color:  Black

UPC Code: 07847769264

Country Of Origin: United States

NEMA:
5-15P



Brand Features

Rhino-Hide from Leviton raises the bar when it comes to industrial grade NEMA configured wiring devices! Boasting the highest watertight ratings of any device in their class – submersible (IP68) and suitable for high pressure/high temperature washdown (IP69K) - no other device of this type on the market even comes close to this level of performance

Item Description

15 Amp, 125 Volt, NEMA 5-15P, 2P, 3W, Plug, Straight Blade, Industrial Grade, Grounding, Rhino-Hide - BLACK

Technical Information

Electrical Specifications

Amperage: 15 A

Current Limiting: Full Rated Current

Dielectric Voltage: Withstands 2000V per UL498

Pole: 2

Temperature Rise: Max 30C after 250 cycles OL at 200 percent rated current

Voltage: 125 VAC

Wire: 3

Environmental Specifications

Enclosure Rating: NEMA 3R, 4, 4X, 6, 6P, 12, 13; IEC IP66, IP67, IP68, IP69K

Environment: Wet

Operating Temperature: -40°C to 60°C

Material Specifications

Assembly Screws: Stainless Steel, Non-Magnetic

Blades/Contacts, Terminal Clamps: Electroless Nickel-coated Brass

Body Material: Nylon

Husk: High-performance TPV

Terminal Screws: Electroless Nickel-coated Brass

Wiring Module: Nylon

Mechanical Specifications

Cord Grip Range (in): .375-.670

Product ID: Ratings and NEMA I.D. permanently marked on device

Terminal Accom.: #18 AWG to # 10 AWG

Product Features

Brand: Rhino-Hide

Color: Black

Device Type: Straight Blade Plug

NEMA: 5-15P

Standards and Certifications

ANSI: C-73

CSA: C22.2 No. 42

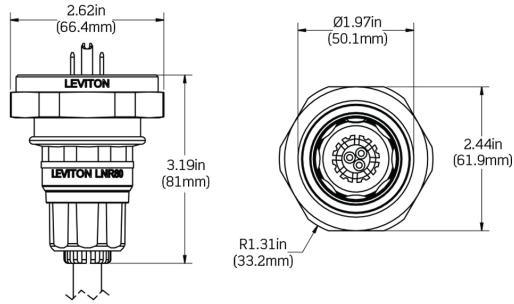
NEMA: WD-6

NOM: NOM-ANCE

UL: 498

Warranty

Product Warranty: Limited Lifetime



SPECIFICATION SUBMITTAL

| | | |
|----------------------|----------------------|----------------------|
| JOB NAME: | CATALOG NUMBERS: | |
| <input type="text"/> | <input type="text"/> | <input type="text"/> |
| JOB NUMBER: | <input type="text"/> | <input type="text"/> |

Leviton Manufacturing Co., Inc.

201 North Service Road, Melville, NY 11747

Teléfono: +1-800-323-8920 · FAX: +1-800-832-9538 · Tech Line (8:30AM-7:30PM E.S.T. Monday-Friday): +1-800-824-3005

Leviton Manufacturing of Canada, Ltd.

165 Hymus Boulevard, Pointe Claire, Quebec H9R 1E9 · Telephone: +1-800-469-7890 ·

FAX: +1-800-824-3005 · www.leviton.com/canada

Leviton S. de R.L. de C.V.

Lago Tana 43, Mexico DF, Mexico CP 11290 · Tel.: (+52)55-5082-1040 · FAX: (+52)5386-

1797 · www.leviton.com.mx

Visit our Website at: www.leviton.com

© 2018 Leviton Manufacturing Co., Inc. Todos los derechos reservados. Subject to change without notice.

Leviton has a global presence.

If you would like to know where your local Leviton office is located please go to:

www.leviton.com/international/contacts/

