

CN144-200

Spot Lights

Brand Features

The CN Series Industrial LED fixtures are an energy efficient and high brightness solution for many indoor and outdoor applications. The enclosures are rated IP66 and are virtually indestructible, making them ideal for harsh industrial environments. A variety of lighting effects can be achieved with the CN Series spot lights from surface grazing to direct illumination. For mounting flexibility, the CN Series spot lights feature an adjustable yoke.

Item Description

Industrial LED Spot Light, Hazardous (Classified) Location, Cool White, 587 Lumens, Narrow Beam Distribution Pattern, Anti-Glare Lens

Technical Information

Electrical Specifications

Voltage: 12 VDC - 28 VDC

Amperage: 0.35 A

Watts (typical): 7.9 W @ 12 VDC, 8.4W @ 24 VDC

Material Specifications

Housing: Anodized aluminum

Lens: Acrylic

Performance Specifications

Lumens: 587

Beam Pattern: Narrow (30°)

LM-80: >60,500 hrs

CRI: 75

Environmental Specifications

Operating Temperature: -40 °C to 55 °C

Operating Case Temperature: ~15 °C above ambient

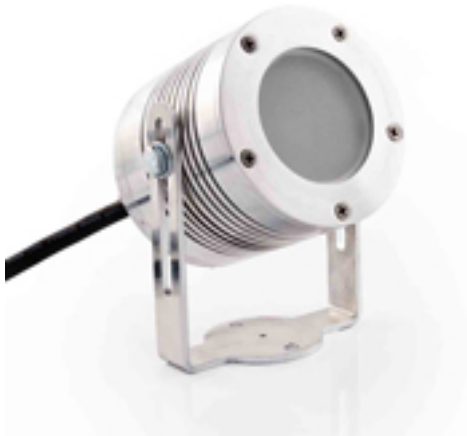
Ingress Protection: IP66

Product Features

Weight: 2.3 lbs

Standards and Certifications

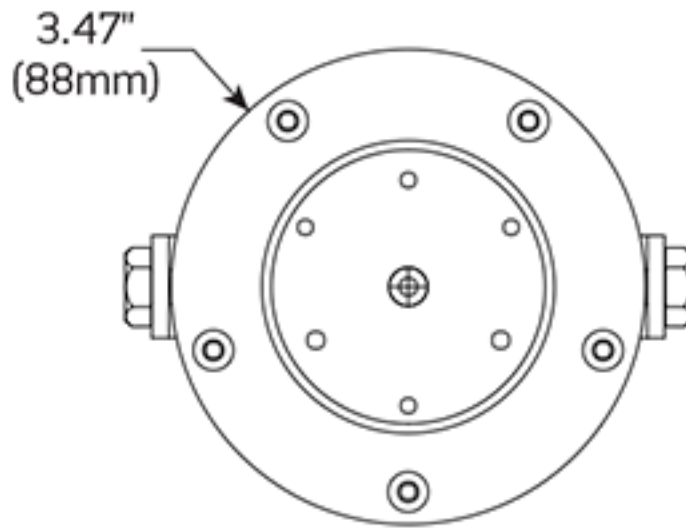
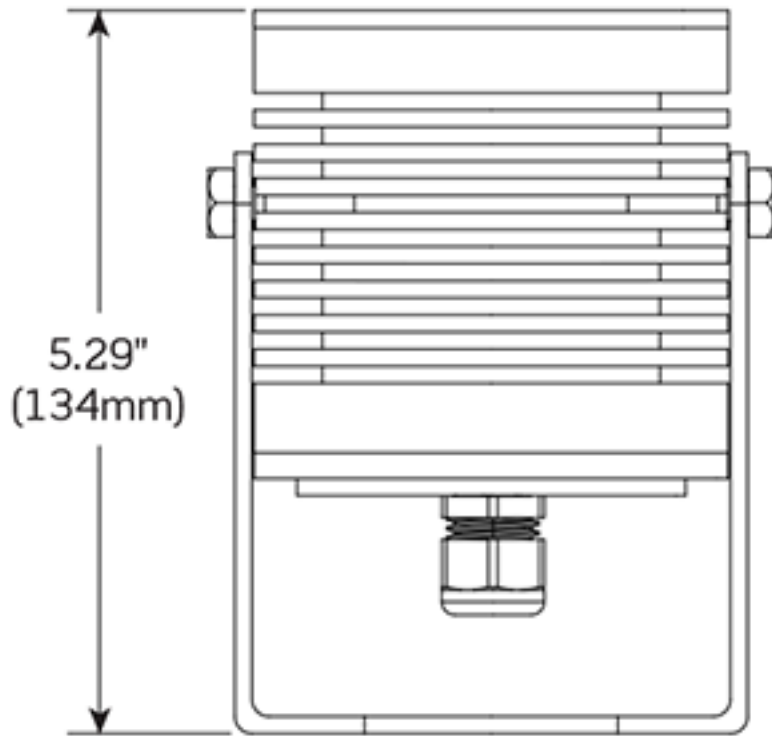
Hazardous (Classified) Location: C1D2 Groups ABCD, T3



UPC Code: 07847773525

Country of Origin: Canada - *Eligible for ARRA funded projects > \$7,443,000





SPECIFICATION SUBMITTAL

JOB NAME: <input type="text"/>	CATALOG NUMBERS: <input type="text"/>	
JOB NUMBER: <input type="text"/>	<input type="text"/>	<input type="text"/>

Leviton Manufacturing Co., Inc.

201 North Service Road, Melville, NY 11747

Telephone: 1-800-323-8920 · FAX: 1-800-832-9538 · Tech Line (8:30AM-7:30PM E.S.T. Monday-Friday): 1-800-824-3005

Leviton Manufacturing of Canada, Ltd.

165 Hymus Boulevard, Pointe Claire, Quebec H9R 1E9 · Telephone: 1-800-469-7890 ·

FAX: 1-800-824-3005 · www.leviton.com/canada

Leviton S. de R.L. de C.V.

Lago Tana 43, Mexico DF, Mexico CP 11290 · Tel.: (+52)55-5082-1040 · FAX: (+52)5386-1797 · www.leviton.com.mx

Visit our Website at: www.leviton.com

© 2012-2018 Leviton Manufacturing Co., Inc. All rights reserved. Subject to change without notice.



Leviton has a global presence.

If you would like to know where your local Leviton office is located please go to: www.leviton.com/international/contacts/

**Buy American Compliant Logo -- The American Recovery And Reinvestment Act of 2009 ("ARRA") provides federal grants and loans for projects throughout the country. Section 1605 of the Act, named the "Buy American" provision, requires that certain materials and manufactured products used in projects funded by the Act be manufactured in the United States. The appearance of the Recovery Act Logo in relation to a Leviton product is only intended to reflect that such product may be used in an ARRA funded project. It does not mean that such product or Leviton is sponsored or endorsed by, or that Leviton receives funds from, the federal government or the Recovery Accountability and Transparency Board. Nothing in Leviton's use of the logo is intended to suggest anything regarding the requirements for funding under ARRA.*