

# CN134-100

# Spot Lights

## Brand Features

The CN Series Industrial LED fixtures are an energy efficient and high brightness solution for many indoor and outdoor applications. The enclosures are rated IP66 and are virtually indestructible, making them ideal for harsh industrial environments. A variety of lighting effects can be achieved with the CN Series spot lights from surface grazing to direct illumination. For mounting flexibility, the CN Series spot lights feature an adjustable yoke.

## Item Description

Industrial LED Spot Light, Ordinary Location, Cool White, 459 Lumens, Wide Beam Distribution Pattern, Clear Lens

## Technical Information

### Electrical Specifications

**Voltage:** 12 VDC - 28 VDC

**Amperage:** 0.35 A

**Watts (typical):** 7.9 W @ 12 VDC, 8.4W @ 24 VDC

### Material Specifications

**Housing:** Anodized aluminum

**Lens:** Acrylic

### Performance Specifications

**Lumens:** 459

**Beam Pattern:** Wide (100°)

**LM-80:** >60,500 hrs

**CRI:** 75

### Environmental Specifications

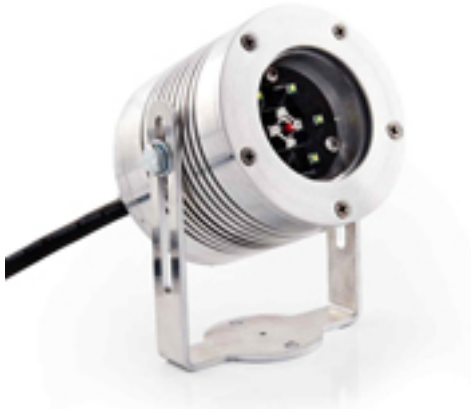
**Operating Temperature:** -40 °C to 55 °C

**Operating Case Temperature:** ~15 °C above ambient

**Ingress Protection:** IP66

### Product Features

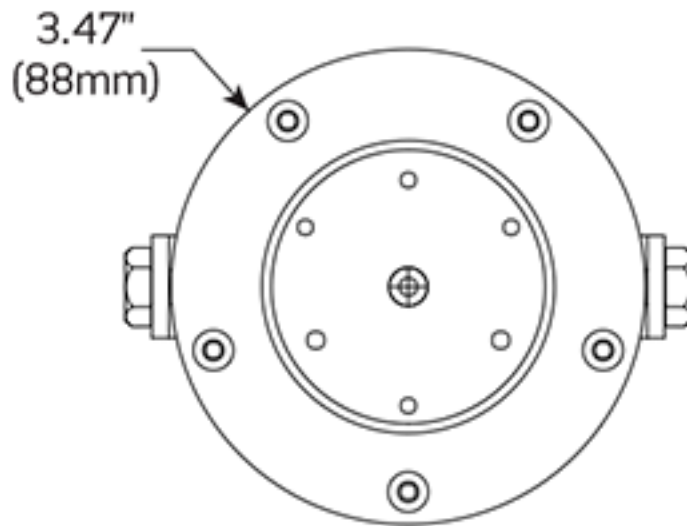
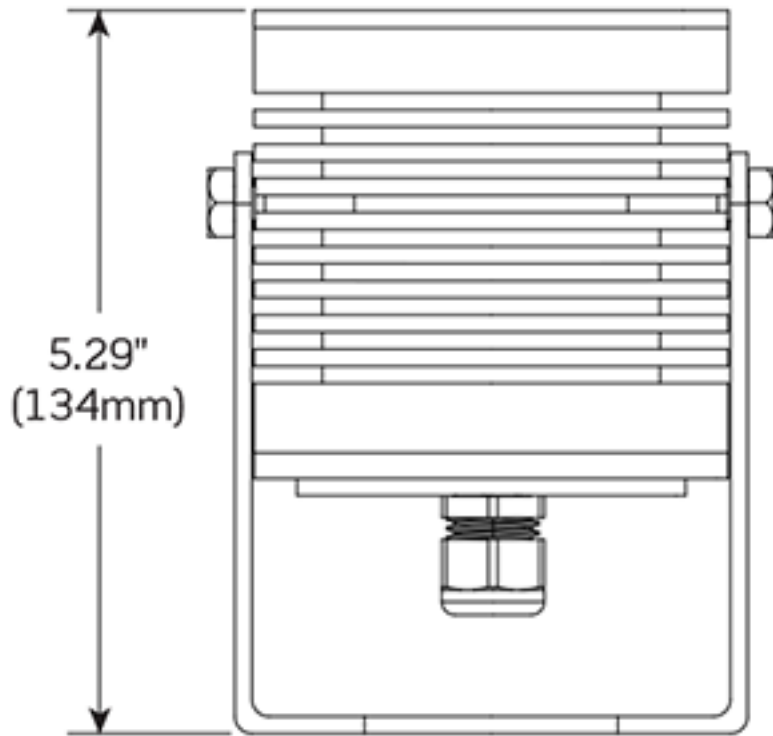
**Weight:** 2.3 lbs



**UPC Code:** 07847773502

**Country of Origin:** Canada - \*Eligible for ARRA funded projects > \$7,443,000





**SPECIFICATION SUBMITTAL**

JOB NAME: <input type="text"/>	CATALOG NUMBERS: <input type="text"/>	
JOB NUMBER: <input type="text"/>	<input type="text"/>	<input type="text"/>

**Leviton Manufacturing Co., Inc.**

201 North Service Road, Melville, NY 11747

Telephone: 1-800-323-8920 · FAX: 1-800-832-9538 · Tech Line (8:30AM-7:30PM E.S.T. Monday-Friday): 1-800-824-3005

**Leviton Manufacturing of Canada, Ltd.**

165 Hymus Boulevard, Pointe Claire, Quebec H9R 1E9 · Telephone: 1-800-469-7890 ·

FAX: 1-800-824-3005 · [www.leviton.com/canada](http://www.leviton.com/canada)

**Leviton S. de R.L. de C.V.**

Lago Tana 43, Mexico DF, Mexico CP 11290 · Tel.: (+52)55-5082-1040 · FAX: (+52)5386-1797 · [www.leviton.com.mx](http://www.leviton.com.mx)

**Visit our Website at: [www.leviton.com](http://www.leviton.com)**

© 2012-2018 Leviton Manufacturing Co., Inc. All rights reserved. Subject to change without notice.



**Leviton has a global presence.**

If you would like to know where your local Leviton office is located please go to: [www.leviton.com/international/contacts/](http://www.leviton.com/international/contacts/)

*\*Buy American Compliant Logo -- The American Recovery And Reinvestment Act of 2009 ("ARRA") provides federal grants and loans for projects throughout the country. Section 1605 of the Act, named the "Buy American" provision, requires that certain materials and manufactured products used in projects funded by the Act be manufactured in the United States. The appearance of the Recovery Act Logo in relation to a Leviton product is only intended to reflect that such product may be used in an ARRA funded project. It does not mean that such product or Leviton is sponsored or endorsed by, or that Leviton receives funds from, the federal government or the Recovery Accountability and Transparency Board. Nothing in Leviton's use of the logo is intended to suggest anything regarding the requirements for funding under ARRA.*