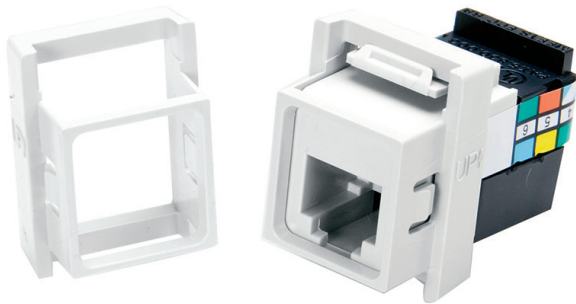


Connector Adapter Bezels

APPLICATION

Adapter bezels are used for installing Leviton QuickPort® connectors in Commscope® SYSTIMAX® or Uniprise® wallplates and surface-mount boxes. Adapter bezels are available in black and white.



FEATURES

- Modular snap-in adapter bezel for Commscope wallplates and housings
- Compatible with all QuickPort connectors
- Connectors are sold separately

DESIGN CONSIDERATIONS

- Bezel color is visible after installation
- Install bezel to connector before placing into wallplate or housing

PHYSICAL SPECIFICATIONS

Dimensions: See page two
Materials: ABS plastic

COUNTRY OF ORIGIN

USA

WARRANTY INFORMATION

For a copy of Leviton product warranties, visit www.leviton.com/warranty.

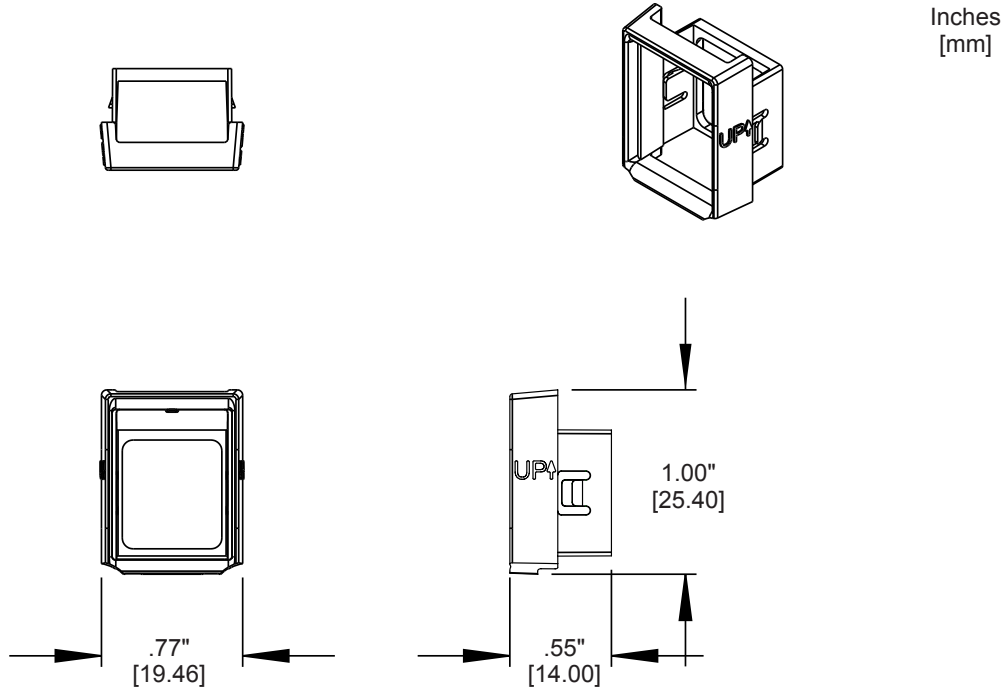
SPECIFICATION

The adapter shall accept all QuickPort connectors and be compatible with Commscope SYSTIMAX or Uniprise wallplates. Adapter shall be packaged individually and sold separately from connectors. Adapter shall be manufactured from ABS plastic. Adapter shall be available in black and white.

AB100-00x

ELECTRONIC FILES

For CAD files, typical specs, or technical drawings (.DXF, .DWG), visit www.leviton.com.



AB100-00x

PART NUMBERS

Description	Part No.
Connector Adapter Bezel, white	AB100-00W
Connector Adapter Bezel, black	AB100-00E

