

PRODUCT SPECIFICATIONS / INFO



Color: Brown



NEMA: 10-20R



5032

UPC Code: 07847720810

Country of Origin: Mexico - **Eligible for ARRA funded projects > \$7,443,000*

Description

20 Amp, 125/250 Volt, NEMA 10-20R, 2P, 3W, Narrow Body Single Receptacle, Straight Blade, Commercial Grade, Non-Grounding, , , Side Wired, Steel Strap, - Brown

Product Features

NEMA: 10-20R

Color: Brown



**Disclaimer*

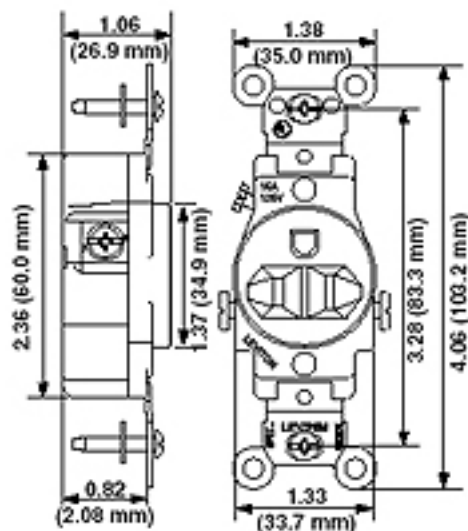
AC Horsepower Ratings	
At Rated Voltage	208V 2 HP L-L, 1 HP L-N
At Rated Voltage	2 HP L-L / 1 HP L-N
Environmental Specifications	
Flammability	Rated V-2 per UL94
Operating Temperature	-40C to 60C
Mechanical Specifications	
Terminal ID	Brass-Hot, Green-Ground, White-Neutral
Terminal ID	Brass-Hot, Green-Ground, Silver-Neutral
Terminal Accom.	14-10 AWG
Product ID	Ratings are permanently marked on device
Termination	Side

Electrical Specifications	
Grounding	Non-Grounding
Amperage	20 Amp
Voltage	125/250 Volt
NEMA	10-20R
Pole	2
Wire	3
Dielectric Voltage	Withstands 2000V per UL498
Current Limiting	Full Rated Current
Temperature Rise	Max 30C after 50 cycles OL at 150 percent rated current

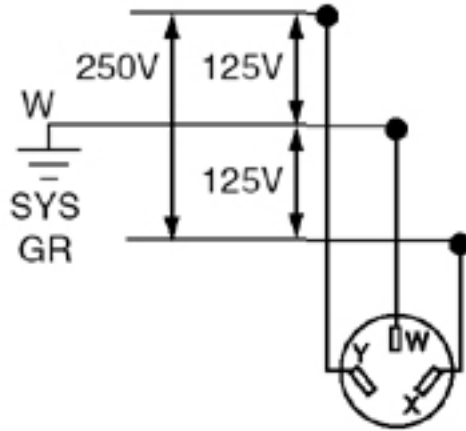
Material Specifications	
Face Material	Nylon
Body Material	Nylon
Line Contacts	Brass Double Wipe .031 Thick
Terminal Screws	Brass 8-32
Grounding Screw	Brass 8-32
Strap Material	Steel
Color	Brown

Standards and Certifications	
NEMA	WD-2 WD-6
NEMA	WD-6
ANSI	C-73
UL498	File E13399
UL Fed Spec WC-596	File E13399
CSA C22.2 No. 42	File 152105
NOM	057
Warranty	10 Year Limited

Dimensional Diagram



Wiring Diagram



10-20R

SPECIFICATION SUBMITTAL

JOB NAME: <input style="width: 95%;" type="text"/>	CATALOG NUMBERS: <input style="width: 95%;" type="text"/>
JOB NUMBER: <input style="width: 80%;" type="text"/>	<input style="width: 95%;" type="text"/>

Leviton Manufacturing Co., Inc.

201 North Service Road, Melville, NY 11747
 Telephone: 1-800-323-8920 · FAX: 1-800-832-9538 · Tech Line (8:30AM-7:30PM E.S.T. Monday-Friday): 1-800-824-3005

Leviton Manufacturing of Canada, Ltd.

165 Hymus Boulevard, Pointe Claire, Quebec H9R 1E9 · Telephone: 1-800-469-7890 · FAX: 1-800-824-3005 · www.leviton.com/canada

Leviton S. de R.L. de C.V.

Lago Tana 43, Mexico DF, Mexico CP 11290 · Tel.: (+52)55-5082-1040 · FAX: (+52)5386-1797 · www.leviton.com.mx

Visit our Website at: www.leviton.com

© 2007-2018 Leviton Manufacturing Co., Inc. All rights reserved. Subject to change without notice.

Leviton has a global presence.

If you would like to know where your local Leviton office is located please go to:
www.leviton.com/international/contacts/



**Buy American Compliant Logo -- The American Recovery And Reinvestment Act of 2009 ("ARRA") provides federal grants and loans for projects throughout the country. Section 1605 of the Act, named the "Buy American" provision, requires that certain materials and manufactured products used in projects funded by the Act be manufactured in the United States. The appearance of the Recovery Act Logo in relation to a Leviton product is only intended to reflect that such product may be used in an ARRA funded project. It does not mean that such product or Leviton is sponsored or endorsed by, or that Leviton receives funds from, the federal government or the Recovery Accountability and Transparency Board. Nothing in Leviton's use of the logo is intended to suggest anything regarding the requirements for funding under ARRA.*