

Structured Media™ Center Modulator

APPLICATION

The Structured Media™ Center Modulator takes the composite video and audio signals from a video device such as a security camera (or multiple cameras using the Video Sequencer) or VCR, and modulates the signal to one cable TV channel. The signal can then be broadcast over the whole-house coaxial network to multiple televisions. The Structured Media Center Modulator can be mounted inside the SMC, or concealed behind equipment in an entertainment center.

PHYSICAL SPECIFICATIONS

Dimensions:	3.2"h x 2.25"w x 1"d
Inputs:	1 RCA video, 2 RCA left/right audio
Outputs:	1 F-Connector for RF signal
Operational channels:	14-69 UHF; 70-94, 100-125 CATV
Bandwidth:	50MHz-860MHz
Power:	12VDC @ 400mA

DESIGN CONSIDERATIONS

- Single button programming.
- Provides 0, 10, 20 or 30 dBmV RF output.
- RCA video and stereo audio inputs.
- F-Connector output.
- DC power supply.
- Includes a mounting bracket for installation inside the Leviton Structured Media Center.

WARRANTY INFORMATION

- Two-year limited product warranty.

See ELECTRONIC FILES for CAD files (.DXF, .DWG, MS-DOS.EPS) on disk



For ELECTRONIC Typical Specs see (.TXT) file on disk.

TYPICAL SPECIFICATIONS

The Modulator shall take an audio and video signal and modulate it to one designated CATV channel. It shall provide 0, 10, 20 or 30 dBmV RF output, RCA video and stereo audio inputs, F-Connector output and DC power supply. It shall have a bandwidth of 50MHz to 860MHz. The Modulator shall have one button programming. The manufacturer shall provide a two-year limited product warranty.



For Applications Engineering Support – Call 1-425-485-4288; in USA call 1-800-722-2082
Spec sheets and updates are also available at www.levitonvoicedata.com.

Structured Media™ Center Modulator

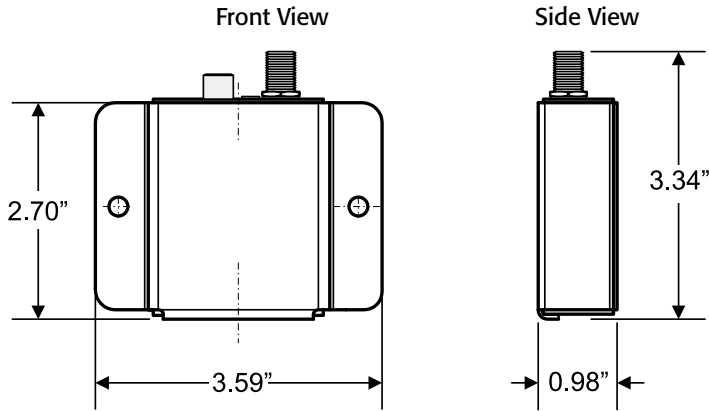
Part Number
48213-VMA

.....

DIMENSIONAL LINE ART

See ELECTRONIC FILES for CAD images
(.DXF, .DWG, MS-DOS.EPS)

48213-VMA
Structured Media™ Center Modulator



PART NUMBER

<i>Structured Media™ Center Modulator</i>	<i>Part Number</i>
Structured Media™ Center Modulator	48213-VMA

For Applications Engineering Support – Call 1-425-485-4288; in USA call 1-800-722-2082.
Spec sheets and updates are also available at www.levitonvoicedata.com.



2222 – 222nd St. SE • Bothell, WA 98021 USA • Tel: 1-800-722-2082 / 1-425-485-4288 • Fax: 1-425-483-5270 • Int'l Fax: 1-425-485-9170 • GSA# GS-35F-4785G

