



Color: White

UPC Code: 07847779584

Country Of Origin: United States

NEMA:
L7-15R



4785-C

Brand Features

Leviton's industry leading locking devices, such as our Black & White line of industrial grade plugs and connectors and our V-0-Max line of industrial grade flush receptacles, offer superior performance, long lasting reliability and other features that are backed by a lifetime warranty.

Item Description

15 Amp, 277 Volt, NEMA L7-15R, 2P, 3W, Flanged Outlet Locking Receptacle, Industrial Grade, Grounding - WHITE

Technical Information

AC Horsepower Ratings

At Rated Voltage: 2 HP

Electrical Specifications

Grounding: Grounding

Amperage: 15 A

Voltage: 277 VAC

Pole: 2

Wire: 3

Dielectric Voltage: Withstands 2000V per UL498

Current Limiting: Full Rated Current

Temperature Rise: Max 30C after 250 cycles OL at 200 percent rated current

Environmental Specifications

Flammability: Rated V-2 per UL 94

Operating Temperature: -40°C to 60°C

Environment: Dry

Material Specifications

Line Contacts: Solid Brass

Face Material: Nylon

Body Material: Nylon

Terminal Screws: Brass 10-32

Grounding Screw: Brass 8-32

Strap Material: Thermoplastic Nylon

Color: White

Mechanical Specifications

Terminal ID: Brass-Hot, Green-Ground, Silver-Neutral

Terminal Accom.: 18-10 AWG

Product ID: Ratings and NEMA I.D. permanently marked on device

Termination: Back

Product Features

NEMA: L7-15R

Color: White

Brand: Black and White

Standards and Certifications

UL498: File E13393

UL Fed Spec WC-596: File E13393

NEMA: WD-6

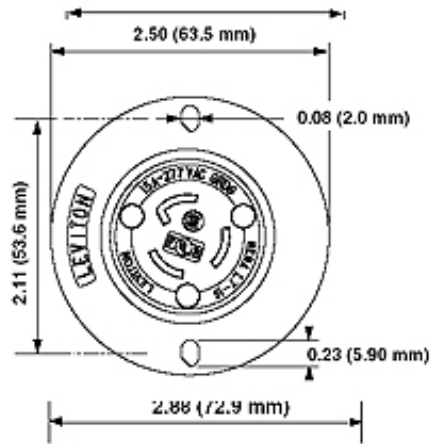
ANSI: C-73

CSA C22.2 No. 42: File LR-406

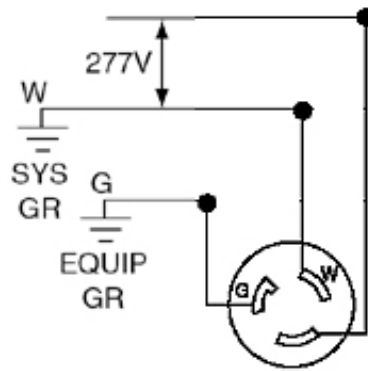
NOM: 057

Warranty: Lifetime Warranty

Dimensional Diagram



Wiring Diagram



L7-15R

SPECIFICATION SUBMITTAL

| | | |
|----------------------|----------------------|----------------------|
| JOB NAME: | CATALOG NUMBERS: | |
| <input type="text"/> | <input type="text"/> | <input type="text"/> |
| JOB NUMBER: | <input type="text"/> | <input type="text"/> |

Leviton Manufacturing Co., Inc.

201 North Service Road, Melville, NY 11747

Teléfono: +1-800-323-8920 · FAX: +1-800-832-9538 · Tech Line (8:30AM-7:30PM E.S.T. Monday-Friday): +1-800-824-3005

Leviton Manufacturing of Canada, Ltd.

165 Hymus Boulevard, Pointe Claire, Quebec H9R 1E9 · Telephone: +1-800-469-7890 ·

FAX: +1-800-824-3005 · www.leviton.com/canada

Leviton S. de R.L. de C.V.

Lago Tana 43, Mexico DF, Mexico CP 11290 · Tel.: (+52)55-5082-1040 · FAX: (+52)5386-

1797 · www.leviton.com.mx

Visit our Website at: www.leviton.com

© 2018 Leviton Manufacturing Co., Inc. Todos los derechos reservados. Subject to change without notice.

Leviton has a global presence.

If you would like to know where your local Leviton office is located please go to:

www.leviton.com/international/contacts/

