

43081-1L4



UPC Code: 07847750544

Country Of Origin: Taiwan

Brand Features

Angled stainless-steel wallplates accept QuickPort snap-in modules to support multimedia applications in single- or dual-gang flush-mount housings. Angled ports facilitate optimal cable management, ensuring proper bend radius compliance in front and back of connectors. Double stainless-steel material stands up to the more demanding institutional, education, and healthcare environments.

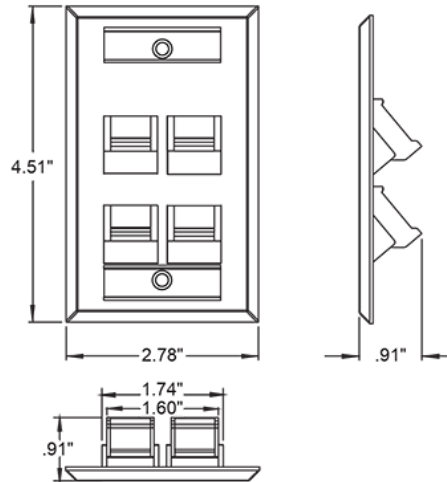
Item Description

Angled Single-Gang Stainless Steel QuickPort® Wallplate with ID Windows, 4-Port

Features and Benefits

- Angled ports ensure proper bend radius compliance in front and back of connector
- Recessed ports protect jack and patch cord plugs
- Stainless steel for enhanced durability
- Includes station ID designation windows
- Fits standard NEMA electrical boxes
- Compatible with all individual UTP, Fiber, and AV QuickPort modules
- Ideal for CAT 6A applications at the workstation

43081-1L4



SPECIFICATION SUBMITTAL

JOB NAME: <input style="width: 95%;" type="text"/>	CATALOG NUMBERS: <input style="width: 95%;" type="text"/>	
JOB NUMBER: <input style="width: 95%;" type="text"/>	<input style="width: 95%;" type="text"/>	<input style="width: 95%;" type="text"/>

Leviton Manufacturing Co., Inc.

201 North Service Road, Melville, NY 11747

Teléfono: +1-800-323-8920 · FAX: +1-800-832-9538 · Tech Line (8:30AM-7:30PM E.S.T. Monday-Friday): +1-800-824-3005

Leviton Manufacturing of Canada, Ltd.

165 Hymus Boulevard, Pointe Claire, Quebec H9R 1E9 · Telephone: +1-800-469-7890 ·

FAX: +1-800-824-3005 · www.leviton.com/canada

Leviton S. de R.L. de C.V.

Lago Tana 43, Mexico DF, Mexico CP 11290 · Tel.: (+52)55-5082-1040 · FAX: (+52)5386-

1797 · www.leviton.com.mx

Visit our Website at: www.leviton.com

© 2018 Leviton Manufacturing Co., Inc. Todos los derechos reservados. Subject to change without notice.

Leviton has a global presence.

If you would like to know where your local Leviton office is located please go to:

www.leviton.com/international/contacts/

