

## Industrial Grade Portable Outlet Boxes and Coverplates



Leviton's line of temporary power solutions now includes industrial grade portable outlet boxes and coverplates. For applications ranging from industrial and processing plants to construction and maintenance to entertainment and theater, these durable boxes will help to deliver the power you need, where you need it.

Boxes are constructed of a high-performance UL Listed TPV. They maintain their integrity in most any temperature, are extremely resistant to harsh chemicals and exhibit excellent strength and resistance to fatigue.

Coverplates are constructed of Lexan®, providing great impact resistance and superior service life. And, flip-lid versions provide NEMA Type 3R protection (when not in use).

Boxes are available in single and two-gang sizes, both feed-thru and pendant style. Coverplates are available in a wide range of configurations to fit just about any requirement. Plus, you can choose either high-visibility yellow (for most industrial and commercial applications) or black (for entertainment applications).

## Features



\*See ordering information for details

Santoprene is a registered trademark of Exxon Mobil. Lexan is a registered trademark of SABIC Innovative Plastics. Decora is a registered trademark of Leviton Manufacturing.

## Ordering Information

### Portable Outlet Boxes and Coverplates, Single-Gang



3059-1E



3059F-1E



3099F-1E



3099F-2E



SINGLE-GANG OUTLET BOXES						
Description	Cable Diameter	Color		Dimensions - see dimensional drawings		
		Yellow	Black	A	B	C
Standard Depth, Pendant Style	0.230" - 0.546"	3059-1Y <sup>2</sup>	3059-1E <sup>2</sup>	3.375"	3.900"	2.500"
Standard Depth, Feed-Thru Style	0.230" - 0.546"	3059F-1Y <sup>2</sup>	3059F-1E <sup>2</sup>	3.375"	3.900"	2.500"
Extra Deep, Pendant Style	0.230" - 0.546"	3099-1Y	3099-1E	4.375"	3.900"	2.500"
Extra Deep, Feed-Thru Style	0.230" - 0.546"	3099F-1Y	3099F-1E	4.375"	3.900"	2.500"
Extra Deep, Pendant Style	0.590" - 1.000" <sup>3</sup>	3099-2Y	3099-2E	4.375"	3.900"	2.500"
Extra Deep, Feed-Thru Style	0.590" - 1.000" <sup>3</sup>	3099F-2Y	3099F-2E	4.375"	3.900"	2.500"



3054-E



3051-E



3056-E



3060-E



3061-E



3052-E



3057-E



3055-E



3058-E



SINGLE-GANG COVERPLATES - STANDARD & WITH FLIP LIDS		
Description	Color	
	Yellow	Black
Blank Coverplate	3054-Y	3054-E
Duplex Receptacle Coverplate	3051-Y	3051-E
Duplex Receptacle Coverplate with Weather-Resistant Flip Lid*	3056-Y	3056-E
GFCI /decora® Receptacle Coverplate	3060-Y	3060-E
GFCI /decora® Receptacle Coverplate with Weather-Resistant Flip Lid* <sup>1</sup>	3061-Y	3061-E
1.39" diameter Single Receptacle Coverplate (15A Straight Blade & Locking/20A Straight Blade Receptacles)	3052-Y	3052-E
1.39" diameter Single Receptacle Coverplate with Weather-Resistant Flip Lid*	3057-Y	3057-E
1.56" diameter Single Receptacle Coverplate (20A & 30A Locking Receptacles)	3055-Y	3055-E
1.56" diameter Single Receptacle Coverplate with Weather-Resistant Flip Lid*	3058-Y	3058-E

\* NEMA Type 3R Rated

<sup>1</sup>Tamper Resistant GFCI devices not compatible <sup>2</sup>GFCI devices not compatible (must use extra deep version) <sup>3</sup>For cable diameters smaller than .590", consult factory for options.

## Ordering Information

### Portable Outlet Boxes and Coverplates, Two-Gang



3200-2Y



3300-2Y



3200F-2Y



TWO-GANG OUTLET BOXES							
Description	Cable Diameter	Color		Dimensions - see dimensional drawings			
		Yellow	Black	A	B	C	D
Standard Depth, Pendant Style	0.590" - 1.000" <sup>3</sup>	3200-2Y	3200-2E	5.100"	5.655"	4.655"	—
Standard Depth, Feed-Thru Style	0.590" - 1.000" <sup>3</sup>	3200F-2Y	3200F-2E	5.100"	5.655"	4.655"	—
Angled Depth, Pendant Style	0.590" - 1.000" <sup>3</sup>	3300-2Y	3300-2E	4.300"	5.655"	4.655"	3.200"



3265-Y



3260-Y



3260W-Y



3251-Y



3251W-Y



3241-Y



3241W-Y



3262-Y



3262W-Y



3261-Y



3261W-Y



3263-Y



3263W-Y



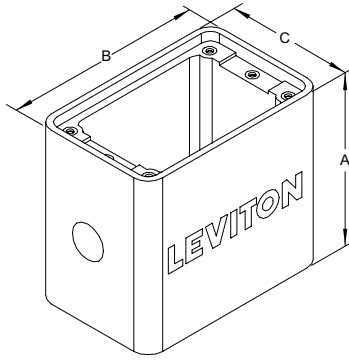
TWO-GANG COVERPLATES - STANDARD & WITH FLIP LIDS		
Description	Color	
	Yellow	Black
Blank Coverplate	3265-Y	3265-E
2 - Duplex Receptacle Coverplate	3260-Y	3260-E
2 - Duplex Receptacle Coverplate with Weather-Resistant Flip Lid*	3260W-Y	3260W-E
2 - GFCI /decora® Receptacle Coverplate	3251-Y	3251-E
2 - GFCI /decora® Receptacle Coverplate with Weather-Resistant Flip Lid* <sup>1</sup>	3251W-Y	3251W-E
1 - GFCI /decora® Receptacle, 1-Blank Coverplate	3241-Y	3241-E
1 - GFCI /decora® Receptacle with Weather-Resistant Flip Lid, 1 - Blank Coverplate* <sup>1</sup>	3241W-Y	3241W-E
1 - 1.56" dia Single Receptacle, 1 - Duplex Receptacle Coverplate	3262-Y	3262-E
1 - 1.56" dia Single Receptacle with Weather-Resistant Flip Lid, 1 - Duplex Receptacle Coverplate with Weather-Resistant Flip Lid*	3262W-Y	3262W-E
1 - 1.56" dia Single Receptacle, 1 - Blank Coverplate	3261-Y	3261-E
1 - 1.56" dia Single Receptacle with Weather-Resistant Flip Lid, 1 - Blank Coverplate *	3261W-Y	3261W-E
2 - 1.56" dia Single Receptacle Coverplate	3263-Y	3263-E
2 - 1.56" dia Single Receptacle Coverplate with Weather-Resistant Flip Lid*	3263W-Y	3263W-E

\* NEMA Type 3R Rated

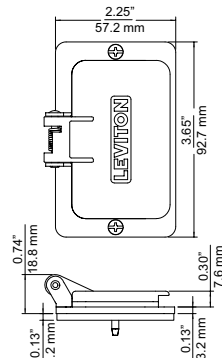
<sup>1</sup>Tamper Resistant GFCI devices may not be compatible - consult factory for details. <sup>3</sup>For cable diameters smaller than .590", consult factory for options.



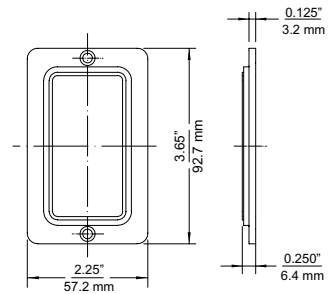
## Single Gang



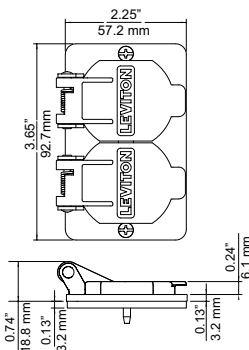
SINGLE GANG BOX



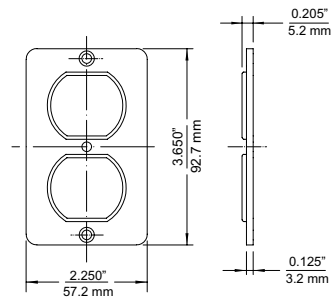
SINGLE GANG GFCI /DECORA COVERPLATE WITH FLIP LID  
TYPICAL



SINGLE GANG GFCI /DECORA COVERPLATE  
TYPICAL

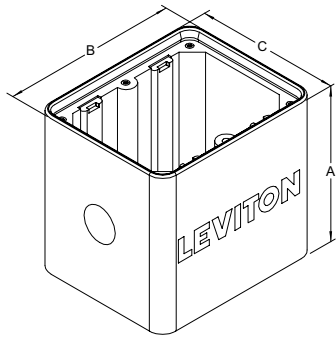


SINGLE GANG DUPLEX COVERPLATE WITH FLIP-LID  
TYPICAL

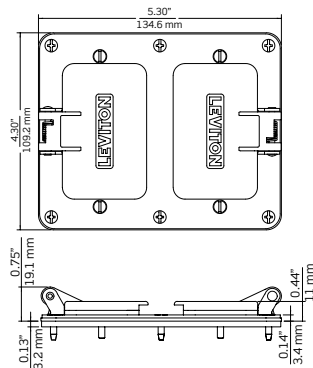


SINGLE GANG DUPLEX COVERPLATE  
TYPICAL

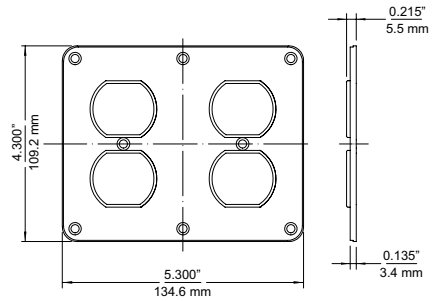
## Two Gang



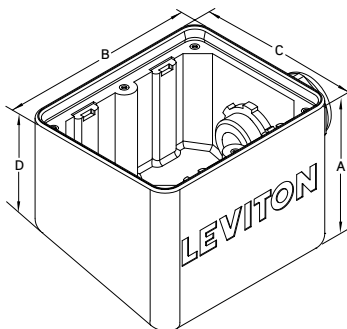
TWO GANG BOX



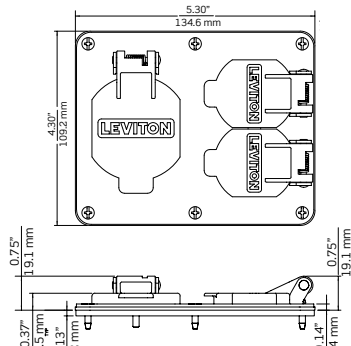
TWO GANG DECORA GFCI /DECORA COVERPLATE WITH FLIP-LID  
TYPICAL



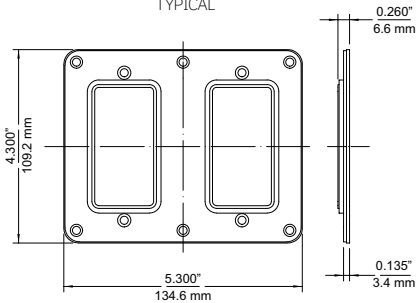
TWO GANG DUPLEX COVERPLATE  
TYPICAL



ANGLE BOX



TWO GANG 2G COMBO COVERPLATE WITH FLIP-LID  
TYPICAL



TWO GANG /DECORA GFCI COVERPLATE  
TYPICAL

# Perfect for Every Temporary Power Application...



**Leviton Manufacturing Co., Inc.**  
201 North Service Road, Melville, NY 11747  
P: 1-800-323-8920 • F: 1-800-832-9538  
Tech Line (8:30AM-7:00PM ET Mon-Fri):  
1-800-824-3005

**Leviton Manufacturing of Canada, Ltd.**  
165 Hymus Boulevard, Pointe Claire,  
Quebec H9R 1E9  
P: 1-800-469-7890 • F: 1-800-563-1853

**Leviton S. de R.L. de C.V.**  
Lago Tana 43, Mexico DF, Mexico CP 11290  
P: (+52) 55-5082-1040 • [www.leviton.com.mx](http://www.leviton.com.mx)

**Leviton Middle East**  
J/Alf Free Zone, View 19 7th Floor, Office 701  
PO Box 262742 Dubai, UAE  
P: +971 4 886 4722 • F: +971 4 886 4723



Visit our website at: [www.leviton.com/industrial](http://www.leviton.com/industrial) email: [industrial@leviton.com](mailto:industrial@leviton.com)