



UPC Code: 07847778145

Country Of Origin: Mexico

## 3031-PLR

### Brand Features

Leviton's Industrial Grade AC toggle switches for extra heavy-duty applications represent top-of-the-line quality and peak performance. Leviton uses the finest materials available and the highest production standards to produce industrial switches of unmatched versatility and reliability.

### Item Description

30 Amp, 120 Volt, Toggle Pilot Light - Illuminated ON - Req. Neutral Single-Pole AC Quiet Switch, Extra Heavy Duty Spec Grade, Self Grounding, Back & Side Wired, - Red

### Technical Information

#### AC Horsepower Ratings

**HP Rating:** 2HP-120V  
**Max. Amperage:** 24 Amp

#### Electrical Specifications

**Amperage:** 30 A  
**Voltage:** 120 VAC  
**Grounding:** Self-Grounding  
**Dielectric Voltage:** Withstands 1500V for 1 minute  
**Overload UL20 Test:** 100 cycles of OL at 4.8 times rated current  
**Temperature Rise:** Maximum 30 degrees C rise  
**Endurance:** 50,000 cycles minimum

#### Environmental Specifications

**Flammability:** Rated V-2 per UL 94  
**Operating Temperature:** -40°C to 65°C

#### Material Specifications

**Strap Material:** Steel  
**Base Material:** Thermoplastic  
**Toggle:** Polycarbonate  
**Cover Material:** Thermoplastic  
**Contact Material:** Silver Alloy  
**Terminal Screws:** Brass 8-32  
**Grounding Screw:** Brass 8-32  
**Ground Clips:** Brass  
**Color:** Red

#### Mechanical Specifications

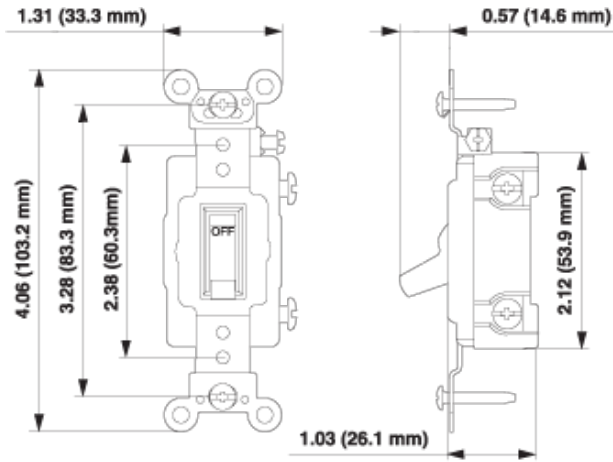
**Terminal ID:** Brass-Hot Black-Hot White-Neutral Green-Gnd  
**Terminal Accom.:** 14-#10 AWG back wired; #14-#12 AWG side wired  
**Product ID:** Ratings are permanently marked on device  
**Torque Range:** 12-14 inch pounds  
**Termination:** Back or Side Wire

#### Product Features

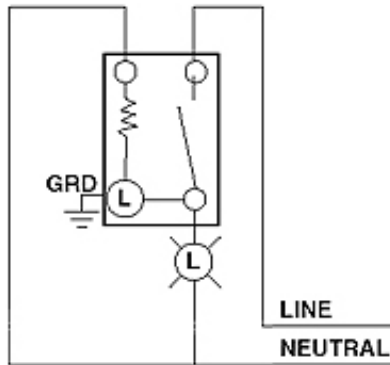
**Color:** Red  
**Grounding:** Self-Grounding  
**Feature:** Pilot Light - Illuminated ON - Req. Neutral  
**Actuator Material:** Polycarbonate  
**Body Material:** Thermoplastic  
**Strap Material:** Steel  
**Grade:** Extra Heavy-Duty Industrial Specification Grade  
**Feature 2:** Illuminated - Load ON (Pilot Light)  
**Function:** Single-Pole  
**Device Type:** Toggle Switch

#### Standards and Certifications

**NEMA:** WD-1 & WD-6  
**ANSI:** C-73  
**UL Fed Spec WS896E:** File #E7458  
**UL Standard:** UL 20  
**CSA C22.2 No. 111:** File #152105  
**NOM:** 057  
**RoHS:** Compliant  
**Warranty:** 10 Year Limited



**SINGLE-POLE**  
**Wiring Diagram**  
**Single-Pole Pilot**



**SPECIFICATION SUBMITTAL**

JOB NAME: <input type="text"/>	CATALOG NUMBERS: <input type="text"/>	
JOB NUMBER: <input type="text"/>	<input type="text"/>	<input type="text"/>

**Leviton Manufacturing Co., Inc.**

201 North Service Road, Melville, NY 11747

Teléfono: +1-800-323-8920 · FAX: +1-800-832-9538 · Tech Line (8:30AM-7:30PM E.S.T. Monday-Friday): +1-800-824-3005

**Leviton Manufacturing of Canada, Ltd.**

165 Hymus Boulevard, Pointe Claire, Quebec H9R 1E9 · Telephone: +1-800-469-7890 ·

FAX: +1-800-824-3005 · [www.leviton.com/canada](http://www.leviton.com/canada)

**Leviton S. de R.L. de C.V.**

Lago Tana 43, Mexico DF, Mexico CP 11290 · Tel.: (+52)55-5082-1040 · FAX: (+52)5386-1797 · [www.leviton.com.mx](http://www.leviton.com.mx)

Visit our Website at: [www.leviton.com](http://www.leviton.com)

© 2018 Leviton Manufacturing Co., Inc. Todos los derechos reservados. Subject to change without notice.

**Leviton has a global presence.**

If you would like to know where your local Leviton office is located please go to:

[www.leviton.com/international/contacts/](http://www.leviton.com/international/contacts/)

