

27CM-30



Color:  Yellow

UPC Code: 07847710820

Country Of Origin: Mexico

NEMA:
L16-30R



Brand Features

Leviton's Industrial Grade Locking Devices are built to provide unparalleled quality and superior performance in the most severe industrial settings. Leviton combines the best materials available with superior production standards to produce a broad selection of Locking Devices of unmatched flexibility and dependability.

Item Description

30 Amp, 480 Volt 3-Phase, NEMA L16-30R, 3P, 4W, Flush Mtg Locking Receptacle, Industrial Grade, Grounding, Corrosion-Resistant, V-0-MAX - YELLOW

Technical Information

AC Horsepower Ratings

At Rated Voltage: 10 HP

Electrical Specifications

Amperage: 30 A

Current Limiting: Full Rated Current

Dielectric Voltage: Withstands 2000V per UL498

Grounding: Grounding

Pole: 3

Temperature Rise: Max 30C after 250 cycles OL at 200 percent rated current

Voltage: 600 VAC

Wire: 4

Phase: 3-Phase

Environmental Specifications

Environment: Corrosive

Flammability: Rated V-0 per UL 94

Operating Temperature: -40°C to 60°C

Material Specifications

Base Material: Nylon

Color: Yellow

Face Material: Nylon

Grounding Screw: Brass 8-32

Line Contacts: Brass .040 Thick

Strap Material: Nickel-Plated Brass

Terminal Screws: Brass 10-32

Yoke: Nickel-Plated Brass .050 Thick

Mechanical Specifications

Product ID: Ratings and NEMA I.D. permanently marked on device

Terminal Accom.: 14-8 AWG

Terminal ID: Brass-Hot, Green-Ground, Silver-Neutral

Termination: Back

Product Features

Base Material: Nylon

Brand: V-0-Max

Color: Yellow

Face Material: Nylon

NEMA: L16-30R

Termination: Back

Voltage: 600 VAC

Warranty: Lifetime Warranty

Standards and Certifications

ANSI: C-73

CSA C22.2 No. 42: File LR-406

NEMA: WD-6

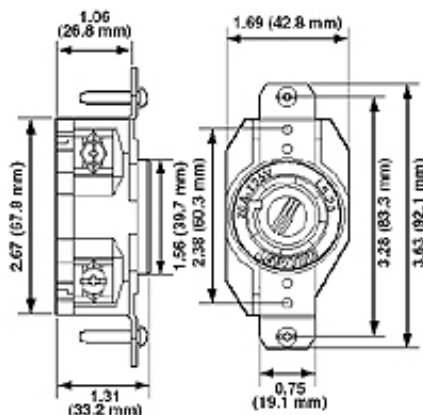
NOM: 057

UL498: File E13399

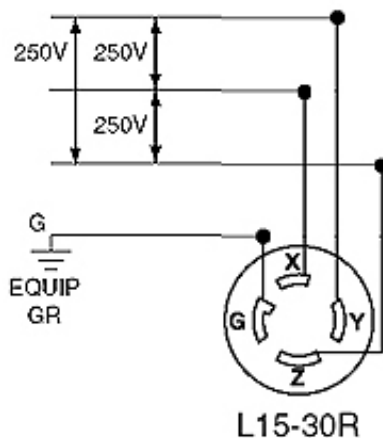
UL Fed Spec WC-596: File E13399

Warranty: Lifetime Warranty

Dimensional Diagram



Wiring Diagram



SPECIFICATION SUBMITTAL

JOB NAME: <input style="width: 95%; height: 20px;" type="text"/>	CATALOG NUMBERS: <input style="width: 95%; height: 20px;" type="text"/>
JOB NUMBER: <input style="width: 95%; height: 20px;" type="text"/>	<input style="width: 95%; height: 20px;" type="text"/>

Leviton Manufacturing Co., Inc.

201 North Service Road, Melville, NY 11747

Teléfono: +1-800-323-8920 · FAX: +1-800-832-9538 · Tech Line (8:30AM-7:30PM E.S.T. Monday-Friday): +1-800-824-3005

Leviton Manufacturing of Canada, Ltd.

165 Hymus Boulevard, Pointe Claire, Quebec H9R 1E9 · Telephone: +1-800-469-7890 ·

FAX: +1-800-824-3005 · www.leviton.com/canada

Leviton S. de R.L. de C.V.

Lago Tana 43, Mexico DF, Mexico CP 11290 · Tel.: (+52)55-5082-1040 · FAX: (+52)5386-

1797 · www.leviton.com.mx

Visit our Website at: www.leviton.com

© 2018 Leviton Manufacturing Co., Inc. Todos los derechos reservados. Subject to change without notice.

Leviton has a global presence.

If you would like to know where your local Leviton office is located please go to:

www.leviton.com/international/contacts/

