

2740-IG

Brand Features

Leviton's Industrial Grade Locking Devices are built to provide unparalleled quality and superior performance in the most severe industrial settings. Leviton combines the best materials available with superior production standards to produce a broad selection of Locking Devices of unmatched flexibility and dependability.

Item Description

30 Amp, 600 Volt 3-Phase, NEMA L17-30R, 3P, 4W, Flush Mtg Locking Receptacle, Industrial Grade, Isolated Ground, V-0-MAX - ORANGE



Color:  Orange

UPC Code: 07847704621

Country Of Origin: Mexico

NEMA:
L17-30R



Technical Information

AC Horsepower Ratings

At Rated Voltage: N/A

Electrical Specifications

Grounding: Isolated Ground

Amperage: 30 A

Voltage: 600 VAC

Pole: 3

Wire: 4

Dielectric Voltage: Withstands 2000V per UL498

Current Limiting: Full Rated Current

Temperature Rise: Max 30C after 250 cycles OL at 200 percent rated current

Phase: 3-Phase

Environmental Specifications

Flammability: Rated V-0 per UL 94

Operating Temperature: -40°C to 60°C

Environment: Corrosive

Material Specifications

Face Material: Valox

Base Material: Valox

Line Contacts: Brass

Terminal Screws: Chromated Brass

Grounding Screw: Brass

Body Material: Valox 357

Cover Material: Valox 357

Strap Material: Nickel-Plated Brass

Color: Orange

Ground Clips: Nickel-Plated Brass

Terminal Clamps: Zinc-Plated Brass

Ground Contacts: Brass

Mechanical Specifications

Terminal ID: Marked on Device

Terminal Accom.: 14-8 AWG

Product ID: Ratings and NEMA I.D. permanently marked on device

Termination: Back & Side

Product Features

Face Material: Valox

NEMA: L17-30R

Base Material: Valox

Color: Orange

Warranty: Lifetime Limited

Feature: Isolated Ground

Brand: V-0-Max

Standards and Certifications

NEMA: WD-1 & WD-6

ANSI: C-73

UL: 498

UL Fed Spec: W-C-596

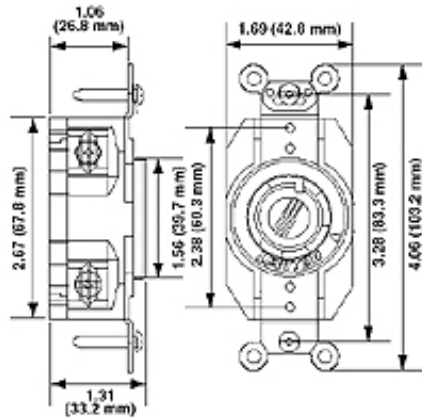
CSA: C22.2 No. 42

NOM: 057

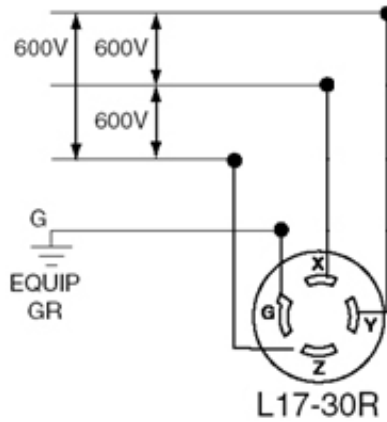
Warranty

Warranty: Lifetime Limited

Dimensional Diagram



Wiring Diagram



SPECIFICATION SUBMITTAL

JOB NAME: <input style="width: 95%;" type="text"/>	CATALOG NUMBERS: <input style="width: 95%;" type="text"/>
JOB NUMBER: <input style="width: 95%;" type="text"/>	<input style="width: 95%;" type="text"/>

Leviton Manufacturing Co., Inc.

201 North Service Road, Melville, NY 11747

Teléfono: +1-800-323-8920 · FAX: +1-800-832-9538 · Tech Line (8:30AM-7:30PM E.S.T. Monday-Friday): +1-800-824-3005

Leviton Manufacturing of Canada, Ltd.

165 Hymus Boulevard, Pointe Claire, Quebec H9R 1E9 · Telephone: +1-800-469-7890 ·

FAX: +1-800-824-3005 · www.leviton.com/canada

Leviton S. de R.L. de C.V.

Lago Tana 43, Mexico DF, Mexico CP 11290 · Tel.: (+52)55-5082-1040 · FAX: (+52)5386-

1797 · www.leviton.com.mx

Visit our Website at: www.leviton.com

© 2018 Leviton Manufacturing Co., Inc. Todos los derechos reservados. Subject to change without notice.

Leviton has a global presence.

If you would like to know where your local Leviton office is located please go to:

www.leviton.com/international/contacts/

