

26CM-13

Brand Features

Leviton's industry leading locking devices, such as our Black & White line of industrial grade plugs and connectors and receptacles, offer superior performance, long lasting reliability and other features that are backed by a lifetime warranty.

Item Description

30 Amp, 125 Volt, NEMA L5-30R, 2P, 3W, Locking Connector, Industrial Grade, Grounding, Corrosion-Resistant - YELLOW-WHITE

Technical Information

Electrical Specifications

Grounding: Grounding

Amperage: 30 A

Voltage: 125 VAC

Pole: 2

Wire: 3

Dielectric Voltage: Withstands 2000V per UL498

Current Interrupting: Certified for current interrupting at full rated current

Temperature Rise: Max 30C at 250 cycles OL at 200 pct rated current

Environmental Specifications

Flammability: Rated V-2 per UL 94

Operating Temperature: -40°C to 60°C

Environment: Corrosive

Material Specifications

Body Material: Super Tough ST801 Nylon

Face Material: Nylon

Back Cover: Thermoplastic

Cord-Clamp: Nylon

Clamp Insert: Nylon

Blades/Contacts: Nickel-Plated Brass

Terminal Screws: Nickel-Plated Brass 8-32

Assembly Screws: Stainless Steel 300

Color: Yellow-White

Mechanical Specifications

Terminal ID: Brass-Hot, Green-Ground, Silver-Neutral

Terminal Accom.: 18-10 AWG

Product ID: Ratings and NEMA I.D. permanently marked on device

Cord Range: .218 - .430

Wire Gauge: 16-8 AWG

Product Features

Cord Range: .218 - .430

NEMA: L5-30R

Body Material: Super Tough ST801 Nylon

Color: Yellow-White

Brand: Black and White

Standards and Certifications

NEMA: WD-6

ANSI: C-73

UL: 498

UL Fed Spec WC-596: File E13393

NOM: 057

Warranty: 10-Year Limited



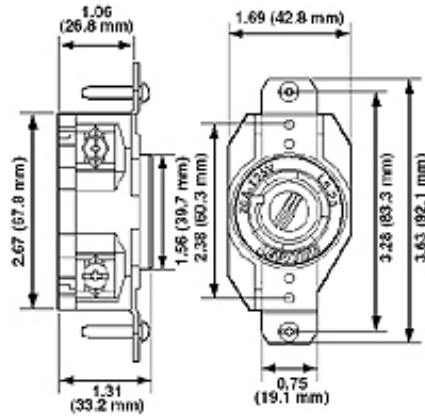
UPC Code: 07847780785

Country Of Origin: United States

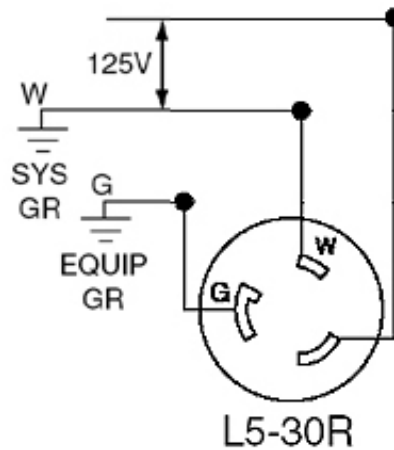
NEMA:
L5-30R



Dimensional Diagram



Wiring Diagram



SPECIFICATION SUBMITTAL

JOB NAME: <input type="text"/>	CATALOG NUMBERS: <input type="text"/>
JOB NUMBER: <input type="text"/>	<input type="text"/>

Leviton Manufacturing Co., Inc.

201 North Service Road, Melville, NY 11747

Teléfono: +1-800-323-8920 · FAX: +1-800-832-9538 · Tech Line (8:30AM-7:30PM E.S.T. Monday-Friday): +1-800-824-3005

Leviton Manufacturing of Canada, Ltd.

165 Hymus Boulevard, Pointe Claire, Quebec H9R 1E9 · Telephone: +1-800-469-7890 ·

FAX: +1-800-824-3005 · www.leviton.com/canada

Leviton S. de R.L. de C.V.

Lago Tana 43, Mexico DF, Mexico CP 11290 · Tel.: (+52)55-5082-1040 · FAX: (+52)5386-

1797 · www.leviton.com.mx

Visit our Website at: www.leviton.com

© 2018 Leviton Manufacturing Co., Inc. Todos los derechos reservados. Subject to change without notice.

Leviton has a global presence.

If you would like to know where your local Leviton office is located please go to:

www.leviton.com/international/contacts/

