



Color:  Black

UPC Code: 07847713110

Country Of Origin: United States

NEMA:  
L14-20R



## 2410-B

### Item Description

20 Amp, 125/250 Volt, NEMA L14-20R, 3P, 4W, Flush Mtg Locking Receptacle, Industrial Grade, Grounding, All Black - BLACK

### Technical Information

#### AC Horsepower Ratings

**At Rated Voltage:** 2 HP L-L / 1 HP L-N

#### Electrical Specifications

**Current Limiting:** Full Rated Current

**Dielectric Voltage:** Withstands 2000V per UL498

**Temperature Rise:** Max 30C after 250 cycles OL at 200 percent rated current

#### Environmental Specifications

**Environment:** Corrosive

**Flammability:** Rated V-0 per UL 94

**Operating Temperature:** -40°C to 60°C

#### Material Specifications

**Base Material:** Valox

**Face Material:** Ultramid

**Grounding Screw:** Brass 8-32

**Line Contacts:** Brass .040 Thick

**Terminal Screws:** Brass 10-32

**Yoke:** Nickel-Plated Brass .050 Thick

#### Mechanical Specifications

**Product ID:** Ratings and NEMA I.D. permanently marked on device

**Terminal Accom.:** 14-8 AWG

**Terminal ID:** Brass-Hot, Green-Ground, White-Neutral

#### Product Features

**Amperage:** 20 A

**Base Material:** Valox

**Brand:** V-0-Max

**Color:** Black

**Face Material:** Ultramid

**Grounding:** Grounding

**NEMA:** L14-20R

**Pole:** 3

**Standards and Certifications:** UL/CSA

**Strap Material:** Nickel-Plated Brass

**Termination:** Back & Side

**Voltage:** 125/250 VAC

**Warranty:** Lifetime Warranty

**Wire:** 4

**Device Type:** Locking Receptacle

#### Standards and Certifications

**ANSI:** C-73

**CSA C22.2 No. 42:** File LR-406

**NEMA:** WD-6

**NOM:** 057

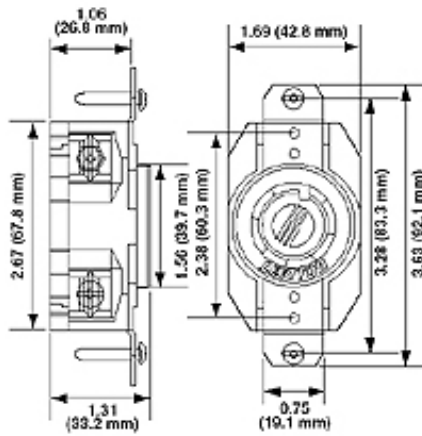
**UL498:** File E13399

**UL Fed Spec WC-596:** File E13399

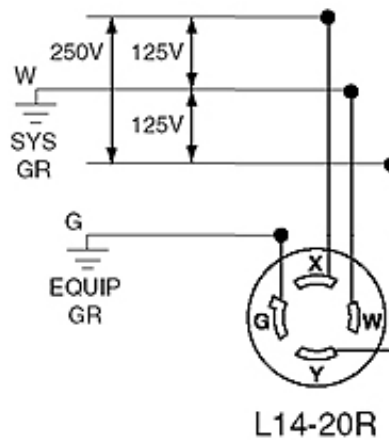
**Features and Benefits**

- Single piece brass contact provides longer life and continuous conductivity vs multi-piece riveted styles
- Extra thick, corrosion resistant nickel plated brass strap
- Amperage, voltage, NEMA configuration, and Manufacturer molded into face lasts longer than stamping and makes for fast, easy identification and replacement
- Terminal identification molded into the body lasts longer than stamping
- Nickel plated brass clamp type terminals support back and side wiring and resist corrosion
- Color-coded voltage ID ring on face for quick visual identification
- UL V-0 flammability rating

**Dimensional Diagram**



**Wiring Diagram**



**SPECIFICATION SUBMITTAL**

JOB NAME:	CATALOG NUMBERS:	
<input type="text"/>	<input type="text"/>	<input type="text"/>
JOB NUMBER:	<input type="text"/>	<input type="text"/>

**Leviton Manufacturing Co., Inc.**

201 North Service Road, Melville, NY 11747

Teléfono: +1-800-323-8920 · FAX: +1-800-832-9538 · Tech Line (8:30AM-7:30PM E.S.T. Monday-Friday): +1-800-824-3005

**Leviton Manufacturing of Canada, Ltd.**

165 Hymus Boulevard, Pointe Claire, Quebec H9R 1E9 · Telephone: +1-800-469-7890 ·

FAX: +1-800-824-3005 · [www.leviton.com/canada](http://www.leviton.com/canada)

**Leviton S. de R.L. de C.V.**

Lago Tana 43, Mexico DF, Mexico CP 11290 · Tel.: (+52)55-5082-1040 · FAX: (+52)5386-

1797 · [www.leviton.com.mx](http://www.leviton.com.mx)

**Visit our Website at: [www.leviton.com](http://www.leviton.com)**

© 2018 Leviton Manufacturing Co., Inc. Todos los derechos reservados. Subject to change without notice.

**Leviton has a global presence.**

If you would like to know where your local Leviton office is located please go to:

[www.leviton.com/international/contacts/](http://www.leviton.com/international/contacts/)

