



Temporary Power

J

Single Pole Devices	J-2
15 Series Single Pole Devices	J-5
16/18 Series Single Pole Devices	J-7
17/19 Series Single Pole Devices	J-19
22/23 Series Single Pole Devices	J-22
Rhino-Hide® 49 Series Single Pole Devices	J-27
Portable Outlet Boxes and Covers	J-32
Portable GFCI Devices	J-38
GFCI User Attachable Devices	J-41
Stage Pin Devices	J-42
Power Distribution Box and Power Cords	J-44



SINGLE POLE | Cam-Type Connectors

Single Pole Devices

Leviton Single Pole Cam-Type Devices

Leviton single pole cam-type devices are designed to provide superior service and durability, even under the most severe operating conditions. Our 15 Series taper nose mini-cam plugs, receptacles and connectors are rated to 140 Amps, making them ideal for entertainment applications such as those found in carnivals and theme parks. Our 16 Series taper nose cam-type devices are rated up to 400 Amps, making them the connectors of choice for power distribution applications such as concerts, sound stages, movie making, television productions, sporting events and conventions.

The 18 Series single pole ball nose cam-type devices are also rated to 400 Amps, and are typically favored by the broadcasting and welding industries as well as many end users in Canada. All of these devices (except vulcanized plugs) feature solid brass contacts and shatter and crack proof Santoprene™ TPV insulators, making them ideal for both outdoor and indoor applications. The positive locking connection maintains its integrity even when subjected to vibration. Plus, they are interoperable and interchangeable with any competitive products.

Leviton Single Pole Latching Cam-Type Connectors

Our 17 & 19 Series taper and ball nose devices are rated up to 690 Amps and can withstand grueling, heavy-duty industrial use. Preferred applications for this series include generator test stations, water purification plants, electrochemical machining equipment and other general industrial uses.

Leviton's 22 & 23 Series single pole latching cam-type devices are also rated up to 690 Amps, providing heavy-duty, completely insulated connections that are vibration resistant. Contacts can also be retrofitted to existing locations and power distribution systems for an effortless installation. The 22 Series connectors also offers an innovative solution for all tower-to-cell cable connections in wind turbines. Our in-line cam-type connectors partnered with pre-assembled harnesses allow quick connect and disconnect on site. In addition, when compared to traditional "butt-splice" methods, cam connectors lower total installation costs drastically. These connectors are commonly used to provide power to ships dock-side, and are recognized by ETL Labs to meet U.S. Navy specifications.

Single Pole Group

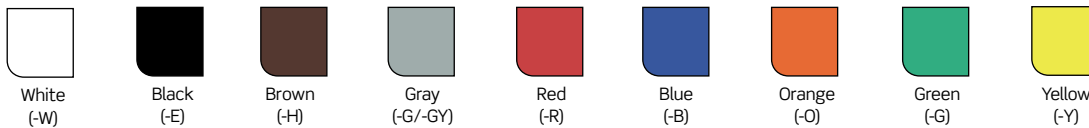


Cam-Type Connectors

16 Series



Color Choices Cam-Type connectors are offered in a wide range of colors. To order colors, add suffix to Cat. No.



Cam-Type Connectors			
Connector Type	Component	Description	Standards and Certifications (NEMA, UL, CSA)
15, 16, 18 Series Connectors	Sleeve*	Santoprene™	See individual pages throughout this section for specific Standards and Certifications information
	Contact	Brass	
	Strain Relief	Copper Wire	
17, 19, 22/23 Series Connectors	Sleeve**	Neoprene™	See individual pages throughout this section for specific Standards and Certifications information
	Contact	Brass	
	Strain Relief	Copper Wire	

*V Series Neoprene™
**22L22/25-S Series Santoprene™

Continued on next page

SINGLE POLE | Cam-Type Connectors

Continued from previous page

Cam-Type Connectors

Features and Benefits

Cam Connectors for Commercial and Industrial Use

Leviton offers a wide variety of single pole cam-type cable connectors and panel mount receptacles that supply temporary electrical power distribution for multiple indoor and outdoor applications. The heavy-duty connectors are the standard for the following markets:

- Entertainment and movie industry
- Concerts and theme parks
- Carnival equipment
- Conventions

Other applications include

- Motor and generator splices
- Mining and construction sites
- Commercial and navy shipbuilding and repair
- Other temporary power applications

Leviton manufactures the highest quality single pin connectors available. Our connectors are completely compatible with competitive cam-type products and can be retrofitted to existing locations and power distribution systems. We offer a variety of quick connect/disconnect connectors for various amperage ratings in a multitude of cable sizes.

Connectors are available in

- Set screw termination
- Crimp termination
- Taper nose and ball nose configurations
- Vulcanized

Leviton Cam-Type Connectors

- Intermateable and compatible with competitive cam-type products — can be retrofitted to existing locations and power distribution systems
- Locking and reinforcing ring won't melt, break or crack
- Shatter and crack proof — high durometer thermoplastic elastomer (TPV) or neoprene rubber
- Color-coded insulating sleeves — fast and easy phase identification
- Self compensating for wear — slit and cam in male contact provides spring action for longer usage
- Quick connect/disconnect — twist and pull provided by double cam male and cam button in female
- High conductivity — positive, vibration-proof connection provided by double cam design
- Wide range of applications — usable with a multitude of cable and amperage ratings
- Meets NEC Code, UL Listed and CSA Certified. NEMA 3R-Rated for use in outside locations

Experience the Difference



Our cam-type connectors are designed for easy assembly and disassembly without special tools. A thermoplastic insulated screw is used to tightly secure the contact inside the insulating sleeve — making assembly, disassembly and field repairs effortless. The connectors use plastic locking and reinforcement rings molded into insulating sleeves and receptacles. Under severe stress and load conditions, these plastic locking and reinforcement rings will not melt, break or crack.

15 Series Single Pole Devices

Cam-Type Connectors — 15 Series

The 15 Series taper nose mini-cam plugs, receptacles and connectors are tough and reliable. Primary applications include carnivals and theme parks, as well as the entertainment industry.

15 Series Cam-Type Connectors (up to 140A, 600V)



15 Series, Taper Nose  		
Description	Color	Cat. No. Complete
Male Plug — Set Screw (Cable Size: #8 -#4)	White	15D21-W
	Black	15D21-E
	Brown	15D21-H
	Red	15D21-R
	Blue	15D21-B
	Orange	15D21-O
	Green	15D21-G
Female Plug — Set Screw (Cable Size: #8 -#4)	White	15D22-W
	Black	15D22-E
	Brown	15D22-H
	Red	15D22-R
	Blue	15D22-B
	Orange	15D22-O
	Green	15D22-G
Male Plug — Crimped (Cable Size: #8 -#4)	White	15D23-W
	Black	15D23-E
	Brown	15D23-H
	Red	15D23-R
	Blue	15D23-B
	Orange	15D23-O
	Green	15D23-G
Female Plug — Crimped (Cable Size: #8 -#4)	White	15D24-W
	Black	15D24-E
	Brown	15D24-H
	Red	15D24-R
	Blue	15D24-B
	Orange	15D24-O
	Green	15D24-G
	Yellow	15D24-Y

*Contact factory for availability



SINGLE POLE | 15 Series

15 Series Panel Receptacle (up to 140A, 600V)

15 Series, Taper Nose  			
Description	Color	Cat. No. Male	Cat. No. Female
Panel Receptacle — Threaded Stud (Cable Size: #8-#4)	White	15R21-W	15R22-W
	Black	15R21-E	15R22-E
	Brown	15R21-H	15R22-H
	Red	15R21-R	15R22-R
	Blue	15R21-B	15R22-B
	Orange	15R21-O	15R22-O
	Green	15R21-G	15R22-G
	Yellow	15R21-Y*	15R22-Y

Note: Contact factory for sizes.
*Contact factory for availability



15R21-R





15P21-E



15S31-R

15 Series Protective Caps And Covers

Protective Caps and Covers (NEMA 3R Enclosure only  )		
Description	Color	Cat. No. Male
Male Protective Caps	White	15P21-W*
	Black	15P21-E*
Female Protective Caps	White	15P22-W*
	Black	15P22-E*
NEMA 3R Enclosure for Male and Female Panel Receptacles	White	15S31-W
	Black	15S31-E
	Brown	15S31-H
	Red	15S31-R
	Blue	15S31-B
	Orange	15S31-O
	Green	15S31-G
Yellow	15S31-Y	

*Contact factory for availability.
Contact factory for different stud lengths

SPOTLIGHT

Temporary Power

Leviton offers a comprehensive line of temporary power products for the commercial, industrial and entertainment market segments. See Section J, our Temporary Power Section, for our full temporary power offering, or visit us online at www.leviton.com/tempower



16/18 Series Single Pole Devices

Cam-Type Connectors — 16 Series

The 16 Series taper nose products are the connectors of choice for concerts, sound stages, movie-making, television production, sporting events and conventions.

16 Series Cam-Type Connectors (up to 190A, 600V)

16 Series, Taper Nose — Double Set Screw  		
Description	Color	Cat. No. Complete
Male Detachable Plug — Double Set Screw (Cable Size: #6-#2)	White	16D44-W
	Black	16D44-E
	Brown	16D44-H
	Red	16D44-R
	Blue	16D44-B
	Orange	16D44-O
	Green	16D44-G
Female Detachable Plug — Double Set Screw (Cable Size: #6-#2)	White	16D45-W
	Black	16D45-E
	Brown	16D45-H
	Red	16D45-R
	Blue	16D45-B
	Orange	16D45-O
	Green	16D45-G
	Yellow	16D45-Y



16 Series Cam-Type Connectors (up to 220A, 600V)

16 Series, Taper Nose — Crimped  			
Description	Color	Cat. No. Complete	Cat. No. Insulator
Male Detachable Plug — Crimped (Cable Size: #2-#1)	White	16D25-W	16SDM-2PW
	Black	16D25-E	16SDM-2PE
	Brown	16D25-H*	16SDM-2PH*
	Red	16D25-R	16SDM-2PR
	Blue	16D25-B*	16SDM-2PB
	Orange	16D25-O*	16SDM-2PO*
	Green	16D25-G	16SDM-2PG*
Female Detachable Plug — Crimped (Cable Size: #2-#1)	White	16D34-W	16SDF-2PW
	Black	16D34-E	16SDF-2PE
	Brown	16D34-H*	16SDF-2PH*
	Red	16D34-R	16SDF-2PR
	Blue	16D34-B	16SDF-2PB
	Orange	16D34-O*	16SDF-2PO*
	Green	16D34-G	16SDF-2PG*
	Yellow	16D34-Y*	16SDF-2PY*

*Contact factory for availability

SINGLE POLE | 16 Series | Cable Connectors

16 Series Cam-Type Connectors (up to 300A, 600V)

16 Series, Taper Nose — Single Set Screw

Description	Color	Cat. No. Complete	Cat. No. Insulator
Male Detachable Plug — Single Set Screw (Cable Size: #2-2/0)	White	16D21-W	16SDM-2PW
	Black	16D21-E	16SDM-2PE
	Brown	16D21-H	16SDM-2PH*
	Red	16D21-R	16SDM-2PR
	Blue	16D21-B	16SDM-2PB
	Orange	16D21-O	16SDM-2PO*
	Green	16D21-G	16SDM-2PG*
	Yellow	16D21-Y	16SDM-2PY*
	Female Detachable Plug — Single Set Screw (Cable Size: #2-2/0)	White	16D29-W
Black		16D29-E	16SDF-2PE
Brown		16D29-H	16SDF-2PH
Red		16D29-R	16SDF-2PR
Blue		16D29-B	16SDF-2PB
Orange		16D29-O	16SDF-2PO*
Green		16D29-G	16SDF-2PG*
Yellow		16D29-Y	16SDF-2PY*

*Contact factory for availability

Continued on next page



16 Series Cam-Type Connectors (up to 300A, 600V)

16 Series, Taper Nose — Double Set Screw

Description	Color	Cat. No. Complete	Cat. No. Contact	Cat. No. Insulator
Male Detachable Plug — Double Set Screw (Cable Size: #2-2/0)	White	16D22-W	16D22-PC	16SDM-2PW
	Black	16D22-E	16D22-PC	16SDM-2PE
	Brown	16D22-H	16D22-PC	16SDM-2PH*
	Red	16D22-R	16D22-PC	16SDM-2PR
	Blue	16D22-B	16D22-PC	16SDM-2PB
	Orange	16D22-O	16D22-PC	16SDM-2PO*
	Green	16D22-G	16D22-PC	16SDM-2PG*
	Yellow	16D22-Y	16D22-PC	16SDM-2PY*
	Female Detachable Plug — Double Set Screw (Cable Size: #2-2/0)	White	16D31-W	16D31-PC
Black		16D31-E	16D31-PC	16SDF-2PE
Brown		16D31-H	16D31-PC	16SDF-2PH*
Red		16D31-R	16D31-PC	16SDF-2PR
Blue		16D31-B	16D31-PC	16SDF-2PB
Orange		16D31-O	16D31-PC	16SDF-2PO*
Green		16D31-G	16D31-PC	16SDF-2PG*
Yellow		16D31-Y	16D31-PC	16SDF-2PY*



*Contact factory for availability

16 Series Cam-Type Connectors (up to 400A, 600V)

16 Series, Taper Nose — Single Set Screw				
Description	Color	Cat. No. Complete	Cat. No. Insulator	
Male Detachable Plug — Single Set Screw (Cable Size: 1/0-4/0)	White	16D23-W	16SDM-1PW	
	Black	16D23-E	16SDM-1PE	
	Brown	16D23-H	16SDM-1PH	
	Red	16D23-R	16SDM-1PR	
	Blue	16D23-B	16SDM-1PB	
	Orange	16D23-O	16SDM-1PO	
	Green	16D23-G	16SDM-1PG	
	Yellow	16D23-Y	16SDM-1PY	
Female Detachable Plug — Single Set Screw (Cable Size: 1/0-4/0)	White	16D32-W	16SDF-1PW	
	Black	16D32-E	16SDF-1PE	
	Brown	16D32-H	16SDF-1PH	
	Red	16D32-R	16SDF-1PR	
	Blue	16D32-B	16SDF-1PB	
	Orange	16D32-O	16SDF-1PO	
	Green	16D32-G	16SDF-1PG	
	Yellow	16D32-Y	16SDF-1PY	

*Contact factory for availability



16 Series, Taper Nose — Double Set Screw  				
Description	Color	Cat. No. Complete	Cat. No. Contact	Cat. No. Insulator
Male Detachable Plug — Double Set Screw (Cable Size: 1/0-4/0)	White	16D24-W	16D24-PC	16SDM-1PW
	Gray	16D24-GY	16D24-PC	—
	Black	16D24-E	16D24-PC	16SDM-1PE
	Brown	16D24-H	16D24-PC	16SDM-1PH
	Red	16D24-R	16D24-PC	16SDM-1PR
	Blue	16D24-B	16D24-PC	16SDM-1PB
	Orange	16D24-O	16D24-PC	16SDM-1PO
	Green	16D24-G	16D24-PC	16SDM-1PG
Female Detachable Plug — Double Set Screw (Cable Size: 1/0-4/0)	White	16D33-W	16D33-PC*	16SDF-1PW
	Gray	16D33-GY	16D33-PC*	—
	Black	16D33-E	16D33-PC*	16SDF-1PE
	Brown	16D33-H	16D33-PC*	16SDF-1PH
	Red	16D33-R	16D33-PC*	16SDF-1PR
	Blue	16D33-B	16D33-PC*	16SDF-1PB
	Orange	16D33-O	16D33-PC*	16SDF-1PO
	Green	16D33-G	16D33-PC*	16SDF-1PG
Yellow	16D33-Y	16D33-PC*	16SDF-1PY	

*Contact factory for availability

SINGLE POLE | 16 Series | Cable Connectors

16 Series Cam-Type Connectors (up to 400A, 600V)

16 Series, Taper Nose — Crimped

Description	Color	Cat. No. Complete	Cat. No. Insulator
Male Detachable Plug — Crimped (Cable Size: 3/0-4/0)	White	16D28-W	16SDM-1PW
	Black	16D28-E	16SDM-1PE
	Brown	16D28-H	16SDM-1PH*
	Red	16D28-R	16SDM-1PR
	Blue	16D28-B	16SDM-1PB
	Orange	16D28-O	16SDM-1PO
	Green	16D28-G	16SDM-1PG
	Yellow	16D28-Y	16SDM-1PY
Female Detachable Plug — Crimped (Cable Size: 3/0-4/0)	White	16D37-W	16SDF-1PW
	Black	16D37-E	16SDF-1PE
	Brown	16D37-H	16SDF-1PH
	Red	16D37-R	16SDF-1PR
	Blue	16D37-B	16SDF-1PB
	Orange	16D37-O	16SDF-1PO
	Green	16D37-G	16SDF-1PG
	Yellow	16D37-Y	16SDF-1PY

*Contact factory for availability



16D28-W



16D37-H



16V22-B

16 Series Cam-Type Connectors (up to 300A, 600V)

16 Series, Taper Nose — Crimped, Vulcanized

Description	Color	Cat. No. Complete
Male Vulcanized Plug — Crimped (Cable Size: 1/0-2/0)	White	16V22-W*
	Black	16V22-E*
	Brown	16V22-H*
	Red	16V22-R*
	Blue	16V22-B
	Orange	16V22-O*
	Green	16V22-G
	Yellow	16V22-Y*
Male Vulcanized Plug — Crimped “Tour Grade” with Nickel Plated Contacts (Cable Size: 1/0-2/0)	White	16V22-TW
	Green	16V22-TG
Female Vulcanized Plug — Crimped — (Cable Size: 1/0-2/0)	White	16V26-W*
	Black	16V26-E*
	Brown	16V26-H*
	Red	16V26-R
	Blue	16V26-B*
	Orange	16V26-O*
	Green	16V26-G*
	Yellow	16V26-Y*
Female Vulcanized Plug — Crimped “Tour Grade” with Nickel Plated Contacts Cable Size: 1/0-2/0)	White	16V26-TW*
	Green	16V26-TG*

*Contact factory for availability



16V22-G



16V26-R



16V26-W

16 Series Cam-Type Connectors (up to 400A, 600V)

16 Series, Taper Nose — Crimped, Vulcanized			
Description	Color	Cat. No. Complete	
Male Vulcanized Plug — Crimped (Cable Size: 3/0-4/0)	White	16V24-W	
	Black	16V24-E	
	Brown	16V24-H*	
	Red	16V24-R	
	Blue	16V24-B	
	Orange	16V24-O	
	Green	16V24-G	
Male Vulcanized Plug — Crimped “Tour Grade” with Nickel Plated Contacts (Cable Size: 3/0-4/0)	White	16V24-TW	
	Black	16V24-TE	
	Red	16V24-TR	
	Blue	16V24-TB	
	Female Vulcanized Plug — Crimped (Cable Size: 3/0-4/0)	White	16V28-W
		Black	16V28-E
		Brown	16V28-H*
Red		16V28-R	
Blue		16V28-B	
Orange		16V28-O*	
Green		16V28-G	
Female Vulcanized Plug — Crimped “Tour Grade” with Nickel Plated Contacts (Cable Size: 3/0-4/0)	White	16V28-TW*	
	Black	16V28-TE*	
	Red	16V28-TR*	
	Blue	16V28-TB*	

*Contact factory for availability



16V24-Y



16V24-R



16V28-E



16V28-B



SPOTLIGHT

Temporary Power

Leviton offers a comprehensive line of temporary power products for the commercial, industrial and entertainment market segments. See Section J, our Temporary Power Section, for our full temporary power offering, or visit us online at www.leviton.com/temppower



SINGLE POLE | 16 Series | Panel Receptacles

16 Series Single Pole Cam-Type Panel Receptacles

Leviton's single pole panel receptacles are designed to provide superior service and durability, even under the most severe operating conditions. Featuring solid brass contacts and Santoprene™ TPV insulators, these devices are ideal for use in equipment associated with concerts, sound stages, movie-making, television production and many other power distribution applications. Our unique 45° angle version is perfect for applications where cables protruding 90° from the panel are impractical. These Leviton 16 Series single pole panel receptacles and accessories are UL/CSA Listed and are completely interoperable and interchangeable with competitive cam-type plugs and receptacles.

Features and Benefits

- Male and female receptacles
- Double set screw or threaded stud termination
- Self compensating for wear (male receptacle)
- Color-coded insulators for easy phase identification

16 Series 45° Angle Cam-Type Panel Receptacles (up to 400A, 600V)

16 Series, Taper Nose — 45°					
Description	Color	Cat. No.		Cat. No.	
		Double Set Screw Style (Cable Size: 1/0-4/0)		Threaded Stud Style (Cable Size: #2-4/0)	
		Male	Female	Male	Female
45° Panel Receptacle	White	16R27-W	16R28-W	16R29-W	16R30-W
	Black	16R27-E	16R28-E	16R29-E	16R30-E
	Red	16R27-R	16R28-R	16R29-R	16R30-R
	Blue	16R27-B	16R28-B	16R29-B	16R30-B
	Green	16R27-G	16R28-G	16R29-G	16R30-G



16R27-G



16R28-R

SPOTLIGHT

Temporary Power

Leviton offers a comprehensive line of temporary power products for the commercial, industrial and entertainment market segments. See Section J, our Temporary Power Section, for our full temporary power offering, or visit us online at www.leviton.com/tempower

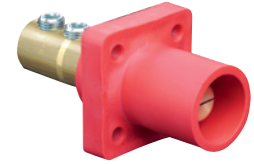


16 Series Single Pole Cam-Type Connectors (up to 400A, 600V)

16 Series, Taper Nose — 90° (1623, 1624, 16RSW only)						
Description	Color	Double Set Screw Style (Cable Size: 1/0-4/0)		Threaded Stud Style** (Cable Size: #2-4/0)		Cat. No. Female with Micro Switch
		Male	Female	Male	Female	
Panel Receptacle	White	16R21-W	16R22-W	16R23-W	16R24-W	16RSW-W
	Black	16R21-E	16R22-E	16R23-E	16R24-E	16RSW-E
	Brown	16R21-H	16R22-H	16R23-H	16R24-H	16RSW-H*
	Red	16R21-R	16R22-R	16R23-R	16R24-R	16RSW-R
	Blue	16R21-B	16R22-B	16R23-B	16R24-B	16RSW-B
	Orange	16R21-O	16R22-O	16R23-O	16R24-O	16RSW-O*
	Green	16R21-G	16R22-G	16R23-G	16R24-G	16RSW-G
	Yellow	16R21-Y	16R22-Y	16R23-Y	16R24-Y	16RSW-Y*

Description	Color	With Half Round Tapped Terminal (Cable Size: #2-4/0)		Threaded Stud Style with Self- Clinching PEM Nuts-Mounting Plate (Cable Size: #2-4/0)	
		Male	Female	Male	Female
Panel Receptacle	White	16R19-W	16R20-W	16R25-W	16R26-W
	Black	16R19-E	16R20-E	16R25-E	16R26-E
	Brown	16R19-H*	16R20-H*	16R25-H	16R26-H
	Red	16R19-R	16R20-R	16R25-R	16R26-R
	Blue	16R19-B	16R20-B	16R25-B	16R26-B
	Orange	16R19-O*	16R20-O*	16R25-O	16R26-O
	Green	16R19-G	16R20-G	16R25-G	16R26-G
	Yellow	16R19-Y*	16R20-Y*	16R25-Y	16R26-Y

Description	Color	Cat. No. Angle Style	Cat. No. Offset Style
Female Terminal Connector (Cable Size: #2-4/0)	White	16F21-W	16F22-W
	Black	16F21-E	16F22-E
	Brown	16F21-H	16F22-H
	Red	16F21-R	16F22-R
	Blue	16F21-B	16F22-B
	Orange	16F21-O	16F22-O
	Green	16F21-G	16F22-G
	Yellow	16F21-Y	16F22-Y



16R21-R



16RSW-G



16R19-E



16F21-B

*Contact factory for availability.

**Contact factory for different threaded stud lengths

SINGLE POLE | 16 Series | Multi-Way Connectors | Caps and Covers

16 Series Single Pole Multi-Way Connectors (up to 400A, 600V)

16 Series, Taper Nose — Multi-Way					
Description	Color	Cat. No.		Cat. No.	
		Paralleling T	Tapping T		
		Female-Male-Male	Female-Female-Male		
Multi-Way Connectors	White	16A21-W	16A22-W		
	Black	16A21-E	16A22-E		
	Brown	16A21-H*	16A22-H		
	Red	16A21-R	16A22-R		
	Blue	16A21-B	16A22-B		
	Orange	16A21-O	16A22-O		
	Green	16A21-G	16A22-G		
	Yellow	16A21-Y*	16A22-Y		
Description	Color	Cat. No.	Cat. No.	Cat. No.	Cat. No.
		3-Fer	Reversed 3-Fer	Double Female	Double Male
		Male-Fem.-Fem.-Fem	Female-Male-Male-Male	Female-Female	Male-Male
Multi-Way Connectors	White	16A23-W	16A26-W	16A24-W	16A25-W
	Black	16A23-E	16A26-E	16A24-E	16A25-E
	Brown	16A23-H*	16A26-H*	16A24-H*	16A25-H
	Red	16A23-R	16A26-R*	16A24-R	16A25-R
	Blue	16A23-B	16A26-B*	16A24-B	16A25-B
	Orange	16A23-O*	16A26-O*	16A24-O	16A25-O
	Green	16A23-G	16A26-G	16A24-G	16A25-G
	Yellow	16A23-Y*	16A26-Y*	16A24-Y	16A25-Y

*Contact factory for availability



16A21-G



16A23-E



16A24-B

16 Series Single Pole Protective Caps and Covers

16 Series (NEMA 3R Enclosure only			
Description	Color	Cat. No. Male	Cat. No. Female
Protective Caps for Cable Connectors	White	16P21-W	16P22-W
	Black	16P21-E	16P22-E
	Brown	16P21-H	16P22-H
	Red	16P21-R	16P22-R
	Blue	16P21-B	16P22-B
	Orange	16P21-O	16P22-O
	Green	16P21-G	16P22-G
	Yellow	16P21-Y	16P22-Y
NEMA 3R Enclosure — for Male and Female Panel Receptacles	White	16S31-W	16S31-W
	Black	16S31-E	16S31-E
	Brown	16S31-H	16S31-H
	Red	16S31-R	16S31-R
	Blue	16S31-B	16S31-B
	Orange	16S31-O	16S31-O
	Green	16S31-G	16S31-G
Yellow	16S31-Y	16S31-Y	



16P22-E



16S31-R

Temporary Power



16 Series Single Pole Cam-Type Adapter Cable Assemblies

Leviton's 16 Series single pole cam-type device line has been expanded to include a variety of assembled adapters. These cable assemblies, or "soft adapters", feature the most common adapter configurations. The entire line of Leviton 16 Series single pole cam-type adapter cable assemblies are UL/CSA Listed and completely interoperable and interchangeable with competitive cam-type plugs and receptacles.

Features and Benefits

- 4/0 cable provides up to 400A/600V capacity
- "Lay flat" design provides for safe cable routing
- Color-coded insulators for easy phase identification

16 Series Cam-Type Adapter Cable Assemblies

16 Series, Taper Nose  					
Description	Color	Cat. No.	Cat. No.	Cat. No.	Cat. No.
		(Cable Size: 4/0) Soft Paralleling Tee Female-Male-Male	(Cable Size: 4/0) Soft Tapping Tee Female-Female-Male	(Cable Size: 4/0) Soft 3-Fer Male-Female- Female-Female	(Cable Size: 4/0) Soft Reverse 3-Fer Female-Male- Male-Male
"Soft" Cable	White	16A31-W	16A32-W	16A33-W	16A36-W
	Black	16A31-E	16A32-E	16A33-E	16A36-E
	Brown	16A31-H*	16A32-H*	16A33-H*	16A36-H*
	Red	16A31-R	16A32-R	16A33-R	16A36-R
	Blue	16A31-B	16A32-B	16A33-B	16A36-B
	Orange	16A31-O*	16A32-O*	16A33-O*	16A36-O*
	Green	16A31-G	16A32-G	16A33-G	16A36-G
	Yellow	16A31-Y*	16A32-Y*	16A33-Y*	16A36-Y*

*Contact factory for availability



SPOTLIGHT
Temporary Power

Leviton offers a comprehensive line of temporary power products for the commercial, industrial and entertainment market segments. See Section J, our Temporary Power Section, for our full temporary power offering, or visit us online at www.leviton.com/temppower

SINGLE POLE | 18 Series

Cam-Type Connectors — 18 Series

The 18 Series ball nose pin and sleeve type plugs, receptacles and connectors are used by the broadcast industry in Canada, as well as the welding industry in the United States.

18 Series Cam-Type Connectors (up to 300A, 600V)

18 Series, Ball Nose — Single Set Screw

Description	Color	Cat. No. Complete
Male Detachable Plug — Single Set Screw (Cable Size: #2-2/0)	White	18D21-W*
	Black	18D21-E
	Brown	18D21-H*
	Red	18D21-R*
	Blue	18D21-B*
	Orange	18D21-O*
	Green	18D21-G*
	Yellow	18D21-Y*
Female Detachable Plug — Single Set Screw (Cable Size: #2-2/0)	White	18D29-W*
	Black	18D29-E
	Brown	18D29-H*
	Red	18D29-R
	Blue	18D29-B*
	Orange	18D29-O*
	Green	18D29-G
	Yellow	18D29-Y*

*Contact factory for availability



18 Series, Ball Nose — Double Set Screw

Description	Color	Cat. No. Complete
Male Detachable Plug — Double Set Screw (Cable Size: #2-2/0)	White	18D22-W
	Black	18D22-E
	Brown	18D22-H*
	Red	18D22-R
	Blue	18D22-B
	Orange	18D22-O*
	Green	18D22-G
	Yellow	18D22-Y*
Female Detachable Plug — Double Set Screw (Cable Size: #2-2/0)	White	18D31-W
	Black	18D31-E
	Brown	18D31-H*
	Red	18D31-R
	Blue	18D31-B
	Orange	18D31-O*
	Green	18D31-G
	Yellow	18D31-Y*

*Contact factory for availability



18 Series Cam-Type Connectors (up to 400A, 600V)
18 Series, Ball Nose — Single Set Screw

Description	Color	Cat. No. Complete
Male Detachable Plug — Single Set Screw (Cable Size: 1/0-4/0)	White	18D23-W*
	Black	18D23-E
	Brown	18D23-H*
	Red	18D23-R
	Blue	18D23-B*
	Orange	18D23-O*
	Green	18D23-G*
	Yellow	18D23-Y*
Female Detachable Plug — Single Set Screw (Cable Size: 1/0-4/0)	White	18D32-W*
	Black	18D32-E
	Brown	18D32-H*
	Red	18D32-R*
	Blue	18D32-B*
	Orange	18D32-O*
	Green	18D32-G*
	Yellow	18D32-Y*

*Contact factory for availability

18 Series, Ball Nose — Double Set Screw  

Description	Color	Cat. No. Complete
Male Detachable Plug — Double Set Screw (Cable Size: 1/0-4/0)	White	18D24-W
	Black	18D24-E
	Brown	18D24-H
	Red	18D24-R
	Blue	18D24-B
	Orange	18D24-O
	Green	18D24-G
	Yellow	18D24-Y
Female Detachable Plug — Double Set Screw (Cable Size: 1/0-4/0)	White	18D33-W
	Black	18D33-E
	Brown	18D33-H
	Red	18D33-R
	Blue	18D33-B
	Orange	18D33-O
	Green	18D33-G
	Yellow	18D33-Y



18D23-Y



18D32-H



18D24-E



18D33-R

SINGLE POLE | 18 Series

18 Series Cam-Type Connectors (up to 400A, 600V)

18 Series, Ball Nose — Terminal Connectors and Caps

Description	Color	Cat. No. Angle Style	Cat. No. Offset Style
Female Terminal Connectors (Cable Size: #2-4/0)	White	18F21-W	18F22-W*
	Black	18F21-E*	18F22-E*
	Brown	18F21-H*	18F22-H*
	Red	18F21-R*	18F22-R*
	Blue	18F21-B*	18F22-B*
	Orange	18F21-O*	18F22-O*
	Green	18F21-G*	18F22-G*
	Yellow	18F21-Y*	18F22-Y*



18F21-E

Description	Color	Cat. No.	
		Male	Female
Protective Caps for Cable Connectors	White	18P21-W*	18P22-W*
	Black	18P21-E	18P22-E
	Brown	18P21-H*	18P22-H*
	Red	18P21-R*	18P22-R*
	Blue	18P21-B*	18P22-B*
	Orange	18P21-O*	18P22-O*
	Green	18P21-G	18P22-G*
	Yellow	18P21-Y*	18P22-Y*



18P22-E

*Contact factory for availability

18 Series Cam-Type Connectors (up to 400A, 600V)

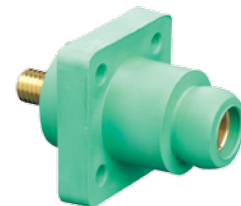
18 Series, Ball Nose — T and Panel

Description	Color	Cat. No.	
		Paralleling T Female-Male-Male	Tapping T Female-Female-Male
Three-Way Lay Down "T" Connectors	White	18A21-W*	18A22-W*
	Black	18A21-E*	18A22-E
	Brown	18A21-H*	18A22-H*
	Red	18A21-R*	18A22-R*
	Blue	18A21-B*	18A22-B*
	Orange	18A21-O*	18A22-O*
	Green	18A21-G*	18A22-G*
	Yellow	18A21-Y*	18A22-Y*



18A22-E

Description	Color	Cat. No.			
		Threaded Stud Style (Cable Size: #2-4/0)		Double Set Screw Style (Cable Size: 1/0-4/0)	
		Male	Female	Male	Female
Panel Receptacles	White	18R21-W*	18R22-W	18R23-W	18R24-W
	Black	18R21-E	18R22-E	18R23-E	18R24-E
	Brown	18R21-H*	18R22-H*	18R23-H	18R24-H
	Red	18R21-R*	18R22-R	18R23-R	18R24-R
	Blue	18R21-B	18R22-B	18R23-B	18R24-B
	Orange	18R21-O*	18R22-O*	18R23-O	18R24-O
	Green	18R21-G	18R22-G	18R23-G	18R24-G
	Yellow	18R21-Y*	18R22-Y*	18R23-Y	18R24-Y





18R22-G

*Contact factory for availability

Temporary Power

18 Series Cam-Type Connectors (up to 400A, 600V)

18 Series, Ball Nose — Multi-Way  			
Description	Color	Cat. No.	
Male-Female			
Multi-Way Connectors	White	18A23-W*	
	Black	18A23-E*	
	Brown	18A23-H*	
	Red	18A23-R*	
	Blue	18A23-B*	
	Orange	18A23-O*	
	Green	18A23-G*	
	Yellow	18A23-Y*	
Description	Color	Cat. No.	Cat. No.
		Double Female	
Multi-Way Connectors	White	18A24-W*	18A25-W
	Black	18A24-E*	18A25-E*
	Brown	18A24-H*	18A25-H*
	Red	18A24-R*	18A25-R*
	Blue	18A24-B*	18A25-B*
	Orange	18A24-O*	18A25-O*
	Green	18A24-G*	18A25-G
	Yellow	18A24-Y*	18A25-Y*



18A23-E



18A25-E

17/19 Series Single Pole Devices

Cam-Type Connectors — 17 Series

The 17 Series Taper Nose connectors withstand grueling, heavy-duty industrial use. Applications include generator test stations, water purification plants, electro-chemical machining equipment and other general industrial uses.

17 Series Cam-Type Connectors (up to 570A, 600V)

17 Series, Taper Nose		
Description	Color	Cat. No. Complete
Male Detachable Plug — Double Set Screw (Cable Size: 250-350MCM)	White	17D21-W
	Black	17D21-E
	Brown	17D21-H
	Red	17D21-R
	Blue	17D21-B
	Orange	17D21-O
	Green	17D21-G
	Yellow	17D21-Y
Female Detachable Plug — Double Set Screw (Cable Size: 250-350MCM)	White	17D23-W
	Black	17D23-E
	Brown	17D23-H
	Red	17D23-R
	Blue	17D23-B
	Orange	17D23-O
	Green	17D23-G
	Yellow	17D23-Y



17D21-B



17D23-O

SINGLE POLE | 17 Series

17 Series Cam-Type Connectors (up to 690A, 600V)

17 Series, Taper Nose

Description	Color	Cat. No. Complete
Male Detachable Plug — Double Set Screw (Cable Size: 350-500MCM)	White	17D22-W
	Black	17D22-E
	Brown	17D22-H
	Red	17D22-R
	Blue	17D22-B
	Orange	17D22-O
	Green	17D22-G
	Yellow	17D22-Y
Female Detachable Plug — Double Set Screw (Cable Size: 350-500MCM)	White	17D24-W
	Black	17D24-E
	Brown	17D24-H
	Red	17D24-R
	Blue	17D24-B
	Orange	17D24-O
	Green	17D24-G
	Yellow	17D24-Y
Male Vulcanized Plug — Crimped (Cable Size: 500-750MCM)	White	17V23-W*
	Black	17V23-E
	Brown	17V23-H*
	Red	17V23-R*
	Blue	17V23-B*
	Orange	17V23-O*
	Green	17V23-G*
	Yellow	17V23-Y*
Female Vulcanized Plug — Crimped (Cable Size: 500-750MCM)	White	17V26-W*
	Black	17V26-E
	Brown	17V26-H*
	Red	17V26-R*
	Blue	17V26-B*
	Orange	17V26-O*
	Green	17V26-G*
	Yellow	17V26-Y*



*Contact factory for availability

SPOTLIGHT

Temporary Power

Leviton offers a comprehensive line of temporary power products for the commercial, industrial and entertainment market segments. See Section J, our Temporary Power Section, for our full temporary power offering, or visit us online at www.leviton.com/tempower



17 Series Cam-Type Connectors (up to 690A, 600V)

17 Series, Taper Nose					
Description	Color	90° Style Male	90° Style Female	30° Style Male	30° Style Female
Panel Receptacle — Threaded Stud (Cable Size: 250-750MCM)	White	17R21-W	17R22-W	17R23-W	17R24-W
	Black	17R21-E	17R22-E	17R23-E	17R24-E
	Brown	17R21-H	17R22-H	17R23-H*	17R24-H
	Red	17R21-R	17R22-R	17R23-R	17R24-R
	Blue	17R21-B	17R22-B	17R23-B	17R24-B
	Orange	17R21-O	17R22-O	17R23-O*	17R24-O
	Green	17R21-G	17R22-G	17R23-G	17R24-G
	Yellow	17R21-Y	17R22-Y	17R23-Y*	17R24-Y
Description	Color	Angle Style	Offset Style	Protective Caps	
Female Terminal Connectors (Cable Size: 250-750MCM)	White	—	—	Male	Female
	Black	—	—	17P21-W	17P22-W
	Brown	—	—	17P21-E	17P22-E
	Red	—	—	17P21-H	17P22-H
	Blue	—	—	17P21-R	17P22-R
	Orange	—	—	17P21-B	17P22-B
	Green	—	—	17P21-O	17P22-O
	Yellow	—	—	17P21-G	17P22-G
Protective Cover for 90° 17/19 Series Receptacles	White	17S31-W	—	—	—
	Black	17S31-E	—	—	—
	Red	17S31-R	—	—	—
	Blue	17S31-B	—	—	—
	Green	17S31-G	—	—	—

*Contact factory for availability



17R21-W



17P21-E



17S31-R

Cam-Type Connectors — 19 Series

The 19 Series ball nose connectors are designed for general industrial applications.

19 Series Cam-Type Connectors (up to 570A, 600V)

19 Series, Ball Nose		
Description	Color	Cat. No. Complete
Male Detachable Plug — Double Set Screw (Cable Size: 350-500MCM)	White	19D22-W
	Black	19D22-E
	Brown	19D22-H*
	Red	19D22-R
	Blue	19D22-B*
	Orange	19D22-O*
	Green	19D22-G
	Yellow	19D22-Y*
Female Detachable Plug — Double Set Screw (Cable Size: 350-500MCM)	White	19D24-W
	Black	19D24-E
	Brown	19D24-H*
	Red	19D24-R
	Blue	19D24-B*
	Orange	19D24-O*
	Green	19D24-G
	Yellow	19D24-Y*

*Contact factory for availability



19D22-G



19D24-B

SINGLE POLE | 19 Series/22 Series

19 Series Cam-Type Connectors (up to 690A, 600V)

19 Series, Ball Nose — 90° Female

Description	Color	90° Style Female
Panel Receptacle	White	19R22-W
Threaded Stud (Cable Size: 250-750MCM)	Black	19R22-E
	Brown	19R22-H*
	Red	19R22-R
	Blue	19R22-B
	Orange	19R22-O*
	Green	19R22-G*
	Yellow	19R22-Y*



19P21-E

Description	Color	Male	Female
Protective Caps	White	19P21-W	19P22-W
	Black	19P21-E	19P22-E
	Brown	19P21-H*	19P22-H*
	Red	19P21-R	19P22-R
	Blue	19P21-B	19P22-B*
	Orange	19P21-O*	19P22-O*
	Green	19P21-G*	19P22-G*
	Yellow	19P21-Y*	19P22-Y*

*Contact factory for availability

22/23 Series Single Pole Devices

Cam-Type Connectors — 22 Series, Latching Ball Nose

Leviton's cam-type positive latching connectors and receptacles are the standard used by Navy bases and shipyards in supplying 3-phase power to ships at dockside. Our latching connector series has been tested to meet Navy specs, including intermateability with competition. These heavy duty, completely insulated connectors are vibration resistant so they will not vibrate or loosen — ensuring high conductivity and maximum efficiency. Contacts can be retrofitted to existing locations and power distribution systems. Male contacts provide 40% more surface contact with the female than competitive products, ensuring greater conductivity while preventing burnout.

22 Series Cam-Type Connectors (up to 570A, 600V)

22 Series, Latching Ball Nose

Description	Color	Cat. No. Complete
Male Connectors - Crimped (Cable Size: 250-350MCM)	White	22L21-W
	Black	22L21-E
	Red	22L21-R
	Green	22L21-G
Female Connectors - Crimped (Cable Size: 250-350MCM)	White	22L24-W
	Black	22L24-E
	Red	22L24-R
	Green	22L24-G



22L21-E

22 Series Cam-Type Connectors (up to 690A, 600V)

22 Series, Latching Ball Nose		
Description	Color	Cat. No. Complete
Male Connectors — Crimped (Cable Size: 350-500MCM)	White	22L22-W
	Black	22L22-E
	Red	22L22-R
Female Connectors — Crimped (Cable Size: 350-500MCM)	White	22L25-W
	Black	22L25-E
	Red	22L25-R

22 “S” Series, Latching Ball Nose — Santoprene		
Description	Color	Cat. No. Complete
Male Connectors — Crimped (Cable Size: 350-500MCM)	White	22L22-SW*
	Black	22L22-SE*
	Red	22L22-SR*
Female Connectors — Crimped (Cable Size: 350-500MCM)	White	22L25-SW*
	Black	22L25-SE*
	Red	22L25-SR*

*Contact factory for availability



22L25-E



22L25-SR



22R26-R
with protective cap off



22R28-W
with protective cap off

22 Series Cam-Type Connectors 15° Style (up to 690A, 600V)

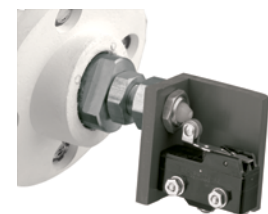
22 Series, Latching Ball Nose Panel Receptacle			
Description	Color	Cat. No.	
		Threaded Stud 15° Style Female	Threaded Stud 15° Style Female with Micro Switch
Ball Nose	White	22R26-W	22R28-W
Panel Receptacle	Black	22R26-E	22R28-E
	Red	22R26-R	22R28-R

Note: 22R28 Series complete with protective cap

22 Series Cam-Type Connectors (up to 885A, 600V)

22 Series, Latching Ball Nose		
Description	Color	Cat. No. Complete
Male Connectors — Crimped (Cable Size: 500-750MCM)	White	22L23-W
	Black	22L23-E
	Red	22L23-R
Female Connectors — Crimped (Cable Size: 500-750MCM)	White	22L26-W
	Black	22L26-E
	Red	22L26-R

*Contact factory for availability



22R28-W
micro switch (close-up)



22L23-E

SINGLE POLE | 22/23 Series

22/23 Series Cam-Type Connectors (up to 690A, 600V)

22/23 Series, Latching Ball Nose/Latching Taper Nose

Description	Color	90° Style Male	90° Style Female	30° Style Male	30° Style Female
Ball Nose Panel Receptacle Threaded Stud (Cable Size: 250-750MCM)	White	22R21-W	22R22-W*	22R23-W	22R24-W
	Black	22R21-E	22R22-E	22R23-E	22R24-E
	Brown	22R21-H*	22R22-H*	22R23-H*	22R24-H
	Red	22R21-R	22R22-R*	22R23-R	22R24-R
	Blue	22R21-B*	22R22-B*	22R23-B*	22R24-B*
	Orange	22R21-O*	22R22-O*	22R23-O*	22R24-O
	Green	22R21-G*	22R22-G*	22R23-G*	22R24-G
	Yellow	22R21-Y*	22R22-Y*	22R23-Y*	22R24-Y
Taper Nose Panel Receptacle Threaded Stud (Cable Size: 250-750MCM)	White	—	—	—	23R24-W*
	Black	—	—	—	23R24-E*
	Brown	—	—	—	23R24-H
	Red	—	—	—	23R24-R*
	Blue	—	—	—	23R24-B*
	Orange	—	—	—	23R24-O
	Green	—	—	—	23R24-G
	Yellow	—	—	—	23R24-Y

*Contact factory for availability



22R24-E



22P21-E



22P22-E

Protective Caps for 22/23 Series, Latching Ball/Taper Nose

Description	Color	Ball Nose Male	Ball Nose Female	Taper Nose Male	Taper Nose Female
Protective Caps	White	22P21-W	22P22-W	23P21-W*	23P22-W*
	Black	22P21-E	22P22-E	23P21-E*	23P22-E*
	Red	22P21-R	22P22-R	23P21-R*	23P22-R*

*Contact factory for availability

SPOTLIGHT

Temporary Power

Leviton offers a comprehensive line of temporary power products for the commercial, industrial and entertainment market segments. See Section J, our Temporary Power Section, for our full temporary power offering, or visit us online at www.leviton.com/tempower



Cam-Type Connectors — 23 Series, Latching Taper Nose Panel Receptacle 15°

Leviton's cam-type positive latching connectors and receptacles are the standard used by Navy bases and shipyards in supplying 3-phase power to ships at dockside. Our latching connector series has been tested to meet Navy specs, including intermateability with competition. These heavy duty, completely insulated connectors are vibration resistant so they will not vibrate or loosen — ensuring high conductivity and maximum efficiency. Contacts can be retrofitted to existing locations and power distribution systems. Male contacts provide 40% more surface contact with the female than competitive products, ensuring greater conductivity while preventing burnout.

23 Series Cam-Type Connectors (up to 690A, 600V)

23 Series, Latching Taper Nose		
Description	Color	Cat. No. Complete
Male Connectors — Crimped (Cable Size: 350-500MCM)	White	23L22-W*
	Black	23L22-E
	Brown	23L22-H*
	Red	23L22-R*
	Blue	23L22-B*
	Orange	23L22-O*
	Green	23L22-G*
	Yellow	23L22-Y*
Female Connectors — Crimped (Cable Size: 350-500MCM)	White	23L25-W*
	Black	23L25-E
	Brown	23L25-H*
	Red	23L25-R*
	Blue	23L25-B
	Orange	23L25-O*
	Green	23L25-G*
	Yellow	23L25-Y*

*Contact factory for availability



23L25-G



23L23-E



23L26-R

23 Series Cam-Type Connectors (up to 885A, 600V)

23 Series, Latching Taper Nose		
Description	Color	Cat. No. Complete
Male Connectors — Crimped (Cable Size: 500-750MCM)	White	23L23-W
	Black	23L23-E
	Red	23L23-R
	Blue	23L23-B*
	Green	23L23-G*
Female Connectors — Crimped (Cable Size: 500-750MCM)	White	23L26-W
	Black	23L26-E
	Red	23L26-R

*Contact factory for availability



SINGLE POLE | Tools and Replacement Parts for 15-23 Series

Assembly Tools & Replacement Parts

"Com-A-Long" Assembly Tool 15 Series

Description	Cat. No.
For Female Plug	15CLM
For Male Plug	15CLF



"Com-A-Long" Assembly Tool 16, 18 Series

Description	Cat. No.
For Female Plug	16CLM
For Male Plug	16CLF



Copper Shims (10 Per Package)

Description	Cat. No.
15 Series	A0006
16 Series & 18 Series	A0004



Strain Relief Wire (10 Per Package)

Description	Cat. No.
15 Series	A0007
16 Series & 18 Series	A0003



"Com-A-Long" Assembly Tool 17, 19, 22 and 23 Series

Description	Cat. No.
For Female Plug	17CLM
For Male Plug	17CLF



Set Screws (10 Per Package)

Description	Cat. No.
15 Series	A0001
16 Series & 18 Series	A0002



Plastic Screws (10 Per Package)

Description	Cat. No.
16 Series & 18 Series	A0010



Lubricating Spray

Description	Cat. No.
16 Fluid Ounce Can	C0001



Temporary Power

Rhino-Hide® 49 Series

Single Pole Connectors and Receptacles

Rhino-Hide® (49 Series male and female connectors and 49 Series single pole connectors) are cURus recognized components engineered to exceptional standards for high-amperage power delivery on land-based and offshore oil and gas rigs. Rhino-Hide® single pole connectors and receptacles are designed to deliver up to 1,000 Volts AC or DC and up to 1,135 Amps of continuous power under the most extreme conditions with cables ranging in size from 313 MCM to 777 MCM. Designed to mate with other manufacturers' high-amperage single pole connectors and receptacles, Rhino-Hide® single pole devices can be installed on both existing silicon controlled rectifiers (SCRs) and generator stations or on new oil and gas rig construction.

Rhino-Hide® 49MR



Features and Benefits

- Ideal for replacement, these connectors mate with other manufacturers' high-amperage single pole connectors and receptacles for fast, easy change-out
- UV stable, polyolefin-based Santoprene™ TPV housings resist fading and cracking for greater service life
- Contacts machined from high conductivity copper alloy and silver-plated for corrosion resistance and superior conductivity
- Color-coded, metal, in-line coupler prevents unauthorized separation of connectors
- Male contact silver and gold plated for superior performance
- Attach stripped cable to male or female contact with standard crimp tools
- Color-coded connector housing for quick, visual identification of circuit and phase connections

SINGLE POLE | Rhino-Hide® 49 Series

Rhino-Hide® 49 Series Cable Connectors and Receptacles

Rhino-Hide® 49 Series Male and Female Connectors for Cable Sizes 313 MCM through 777 MCM

Complete Male Connector by Cable Size

Color	313 MCM Cable	444 MCM Cable	535 MCM Cable	646 MCM Cable	777 MCM Cable	Sleeve
White	49M31-W	49M44-W	49M53-W	49M64-W	49M77-W	49MSL-W
Black	49M31-E	49M44-E	49M53-E	49M64-E	49M77-E	49MSL-E
Brown	49M31-H	49M44-H	49M53-H	49M64-H	49M77-H	49MSL-H
Red	49M31-R	49M44-R	49M53-R	49M64-R	49M77-R	49MSL-R
Blue	49M31-B	49M44-B	49M53-B	49M64-B	49M77-B	49MSL-B
Orange	49M31-O	49M44-O	49M53-O	49M64-O	49M77-O	49MSL-O
Green	49M31-G	49M44-G	49M53-G	49M64-G	49M77-G	49MSL-G
Yellow	49M31-Y	49M44-Y	49M53-Y	49M64-Y	49M77-Y	49MSL-Y
Purple	49M31-P*	49M44-P	49M53-P	49M64-P*	49M77-P*	49MSL-P
Gray	49M31-GY	49M44-GY	49M53-GY*	49M64-GY	49M77-GY	49MSL-GY
Contact Cable	313 MCM Cable	444 MCM Cable	535 MCM Cable	646 MCM Cable	777 MCM Cable	
	49M31-C	49M44-C	49M53-C	49M64-C	49M77-C	

*Contact factory for availability



Complete Male Connector & Contact 49M77-R



Complete Female Connector & Contact 49F77-G

Contacts are for copper cable only.

Complete Female Connector by Cable Size

Color	313 MCM Cable	444 MCM Cable	535 MCM Cable	646 MCM Cable	777 MCM Cable	Sleeve
White	49F31-W	49F44-W	49F53-W	49F64-W	49F77-W	49FSL-W
Black	49F31-E	49F44-E	49F53-E	49F64-E	49F77-E	49FSL-E
Brown	49F31-H	49F44-H	49F53-H	49F64-H	49F77-H	49FSL-H
Red	49F31-R	49F44-R	49F53-R	49F64-R	49F77-R	49FSL-R
Blue	49F31-B	49F44-B	49F53-B	49F64-B	49F77-B	49FSL-B
Orange	49F31-O	49F44-O	49F53-O	49F64-O	49F77-O	49FSL-O
Green	49F31-G	49F44-G	49F53-G	49F64-G	49F77-G	49FSL-G
Yellow	49F31-Y	49F44-Y	49F53-Y	49F64-Y	49F77-Y	49FSL-Y
Purple	49F31-P*	49F44-P*	49F53-P	49F64-P*	49F77-P	49FSL-P
Gray	49F31-GY*	49F44-GY	49F53-GY	49F64-GY	49F77-GY	49FSL-GY
Contact Cable	313 MCM Cable	444 MCM Cable	535 MCM Cable	646 MCM Cable	777 MCM Cable	
	49F31-C	49F44-C	49F53-C	49F64-C	49F77-C	

Temporary Power

Rhino-Hide® 49 Series Panel Mount Receptacles

Rhino-Hide® receptacles include a bus bar with male or female contact inserted into a Santoprene™ TPV insulator, which is protected by a powder coated metal housing and TPV dust cap. Bus bars are available with single or double holes and each is compatible with the full cable range: 313 MCM to 777 MCM. Choose a male bus bar for the power side of the circuit or a female bus bar for the motor load side of the circuit. “X” Version receptacle housings feature a 45° angle stainless steel clevis pin that permits ganging of multiple receptacles in a very close proximity to each other (as close as 1/4” for installation on smaller panels).

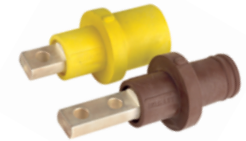
Rhino-Hide® 49 Series Male and Female Panel Receptacles for Cable Sizes 313 MCM through 777 MCM

Complete Male and Complete Female Receptacles					
Description	Color	Complete Male Receptacle		Complete Female Receptacle	
		Single Hole Bus Bar *	Double Hole Bus Bar*	Single Hole Bus Bar*	Double Hole Bus Bar*
Panel Receptacle	White	49MR1-CW	49MR2-CW	49FR1-CW	49FR2-CW
	Gray	49MR1-CGY	49MR2-CGY	49FR1-CGY	49FR2-CGY
	Black	49MR1-CE	49MR2-CE	49FR1-CE	49FR2-CE
	Brown	49MR1-CH	49MR2-CH	49FR1-CH	49FR2-CH
	Red	49MR1-CR	49MR2-CR	49FR1-CR	49FR2-CR
	Blue	49MR1-CB	49MR2-CB	49FR1-CB	49FR2-CB
	Orange	49MR1-CO	49MR2-CO	49FR1-CO	49FR2-CO
	Green	49MR1-CG	49MR2-CG	49FR1-CG	49FR2-CG
	Yellow	49MR1-CY	49MR2-CY	49FR1-CY	49FR2-CY
	Purple	49MR1-CP	49MR2-CP	49FR1-CP	49FR2-CP

*Bus Bar hole diameter = 0.65"/16.5mm



49MR Series



Single Hole and Double Hole Bus Bar Terminations



49MR X-Series

Rhino-Hide® 49 Series Male and Female X-Series Panel Receptacles for Cable Sizes 313 MCM through 777 MCM

Complete Male and Complete Female Receptacles					
Description	Color	Complete Male Receptacle		Complete Female Receptacle	
		Single Hole Bus Bar	Double Hole Bus Bar	Single Hole Bus Bar	Double Hole Bus Bar
45° Panel Receptacles	White	49MR1-0XW	49MR2-0XW	49FR1-0XW	49FR2-0XW
	Gray	49MR1-0XGY	49MR2-0XGY	49FR1-0XGY	49FR2-0XGY
	Black	49MR1-0XE	49MR2-0XE	49FR1-0XE	49FR2-0XE
	Brown	49MR1-0XH	49MR2-0XH	49FR1-0XH	49FR2-0XH
	Red	49MR1-0XR	49MR2-0XR	49FR1-0XR	49FR2-0XR
	Blue	49MR1-0XB	49MR2-0XB	49FR1-0XB	49FR2-0XB
	Orange	49MR1-0XO	49MR2-0XO	49FR1-0XO	49FR2-0XO
	Green	49MR1-0XG	49MR2-0XG	49FR1-0XG	49FR2-0XG
	Yellow	49MR1-0XY	49MR2-0XY	49FR1-0XY	49FR2-0XY
	Purple	49MR1-0XP	49MR2-0XP	49FR1-0XP	49FR2-0XP



Coupler



Clevis Pin



Dust Cover Cap

SINGLE POLE | Rhino-Hide® 49 Series

Rhino-Hide® 49 Series Accessories and Parts

Connector Accessories and Replacement Parts

Description	Color	Material	Cat. No.
Clevis pin for in-line connector coupler	Silver	Stainless Steel	49PNR
Dust cap for single pole male connector	Black	Santoprene™ TPV	49DSM
Dust cap for single pole female connector	Black	Santoprene™ TPV	49DSF
In-line coupler for connectors	*See footnote below chart	Powder-coated aluminum	49COP- ^Δ **

*To order a color, replace the ^Δ with color's suffix: Black (E), White (W), Red (R), Blue (B), Green (G), Yellow (Y), Orange (O), Brown (H).

**Contact Factory for additional colors available.

Features and specifications may be subject to change

Panel Mount Receptacle Accessories and Replacement Parts

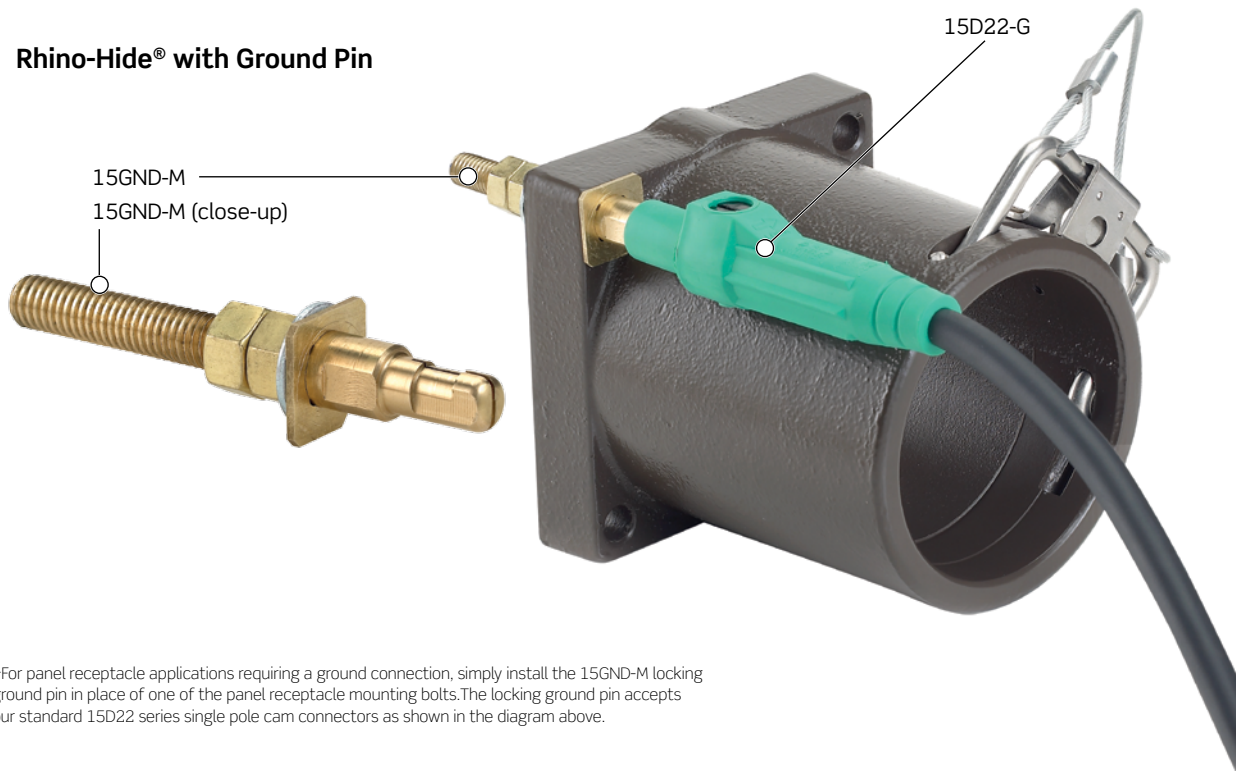
Description	Color	Material	Cat. No.
Clevis pin for panel mount receptacle	Silver	Stainless Steel	49PNR***
Receptacle housing	Silver	Cast Aluminum	49CSR
Dust cover cap for male or female receptacle	Black	Santoprene™ TPV	49DSR
Receptacle housing gasket	Black	Rubber	49GAS
Locking ground pin	—	Brass	15GND-M~ (see footnote at page bottom)

***Does not fit "X" Version.

Features and specifications may be subject to change

For additional information, request a copy of the Rhino-Hide® 49 Series Connectors Product Bulletin. Or, visit us on-line at www.leviton.com where a pdf file is available for review.

Rhino-Hide® with Ground Pin



~For panel receptacle applications requiring a ground connection, simply install the 15GND-M locking ground pin in place of one of the panel receptacle mounting bolts. The locking ground pin accepts our standard 15D22 series single pole cam connectors as shown in the diagram above.

Rhino-Hide® 49 Series Ampacity Chart

Based on NEC table 310.17

Cable Size	Maximum Allowable Ampacities (Copper Conductors)		
	60°C (140°F)	75°C (167°F)	90° C (194°F)
#8	60	70	80
#6	80	95	105
#4	105	125	140
#3	120	145	165
#2	140	170	190
#1	165	195	220
1/0	195	230	260
2/0	225	265	300
3/0	260	310	350
4/0	300	360	405
250MCM	340	405	455
300MCM	375	445	505
350MCM	420	505	570
400MCM	455	545	615
500MCM	515	620	690
600MCM	575	690	780
700MCM	630	755	855
750MCM	655	785	885
800MCM	680	815	920

SPOTLIGHT
Temporary Power

Leviton offers a comprehensive line of temporary power products for the commercial, industrial and entertainment market segments. See Section J, our Temporary Power Section, for our full temporary power offering, or visit us online at www.leviton.com/temppower



PORTABLE OUTLET BOXES AND COVERS

Portable Outlet Boxes and Covers

Ideal for Temporary Power Applications

For applications ranging from industrial processing plants to construction and maintenance to entertainment and theater, Leviton's industrial grade portable outlet boxes will help to deliver the power you need, where you need it. Boxes are constructed from a high-performance UL Listed Santoprene™ TPV. They maintain their integrity in most any temperature, are extremely resistant to harsh chemicals, and exhibit excellent strength and resistance to fatigue.

Coverplates are made from Lexan®, providing great impact resistance and superior service life. Self-closing flip-lid versions provide NEMA Type 3R enclosure protection with flip-lid closed.

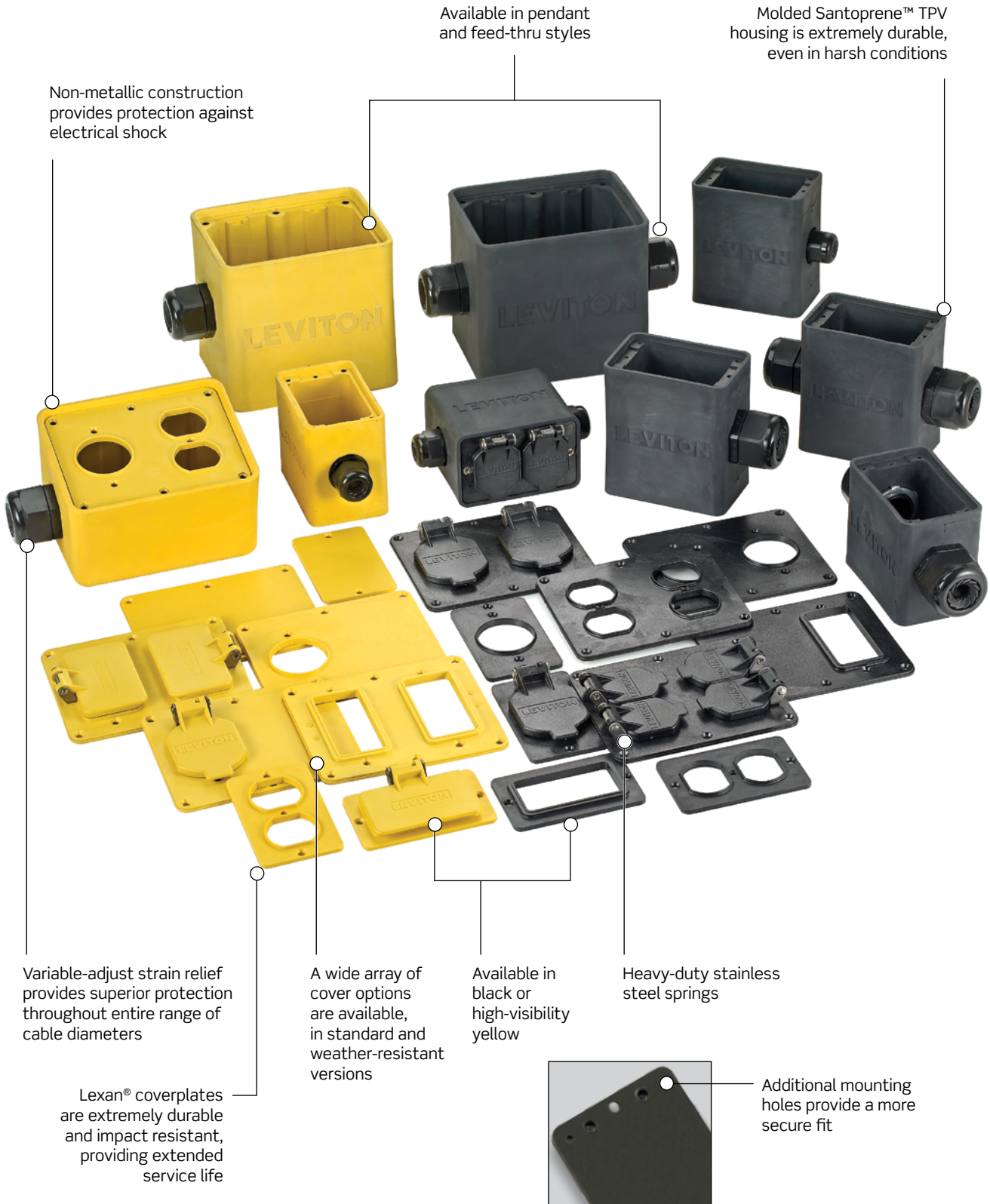
Boxes are available in single- and two-gang sizes, both feed-thru and pendant style. Coverplates are available in a wide range of configurations to fit just about any requirement. Plus, you can choose either high-visibility yellow (for most industrial and commercial applications) or black (for entertainment applications).

Temp Box Power Group



PORTABLE OUTLET BOXES AND COVERS

Temp Box Power Group



Non-metallic construction provides protection against electrical shock

Available in pendant and feed-thru styles

Molded Santoprene™ TPV housing is extremely durable, even in harsh conditions

Variable-adjust strain relief provides superior protection throughout entire range of cable diameters

Lexan® coverplates are extremely durable and impact resistant, providing extended service life

A wide array of cover options are available, in standard and weather-resistant versions

Available in black or high-visibility yellow

Heavy-duty stainless steel springs

Additional mounting holes provide a more secure fit

Temporary Power

PORTABLE OUTLET BOXES AND COVERS | Single Gang

Portable Outlet Boxes — Single Gang



3059-1E



3059F-1E



3059F-2E



3099F-1E



3099F-2E

Single Gang Portable Outlet Boxes

Description	Cable Diameter	Cat. No. Black	Cat. No. Yellow	Dimensions A	Dimensions B	Dimensions C
Standard Depth, Pendant Style*	0.230" - 0.546"	3059-1E	3059-1Y	3.375"	3.900"	2.500"
Standard Depth, Feed-Thru Style*	0.230" - 0.546"	3059F-1E	3059F-1Y	3.375"	3.900"	2.500"
Standard Depth, Pendant Style*	0.590" - 1.000"	—	—	3.375"	3.900"	2.500"
Standard Depth, Feed-Thru Style*	0.590" - 1.000"	—	—	3.375"	3.900"	2.500"
Extra Deep, Pendant Style	0.230" - 0.546"	3099-1E	3099-1Y	4.375"	3.900"	2.500"
Extra Deep, Feed-Thru Style	0.230" - 0.546"	3099F-1E	3099F-1Y	4.375"	3.900"	2.500"
Extra Deep, Pendant Style	0.590" - 1.000"	3099-2E	3099-2Y	4.375"	3.900"	2.500"
Extra Deep, Feed-Thru Style	0.590" - 1.000"	3099F-2E	3099F-2Y	4.375"	3.900"	2.500"

*GFCI devices and deep body receptacles are not compatible (must use extra deep version)

Coverplates — Single Gang



3054



3051



3056



3060



3061



3052



3057



3055



3058

Coverplates — Single Gang

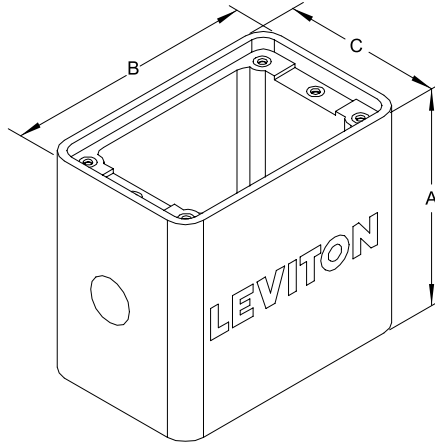
Description	Cat. No. Black	Cat. No. Yellow
Blank	3054-E	3054-Y
Duplex	3051-E	3051-Y
Duplex with weather-resistant flip lid*	3056-E	3056-Y
GFCI	3060-E	3060-Y
GFCI with weather-resistant flip lid*~	3061-E	3061-Y
1.39" diameter	3052-E	3052-Y
1.39" diameter Single receptacle coverplate with weather-resistant flip lid*	3057-E	3057-Y
1.56" diameter	3055-E	3055-Y
1.56" diameter Single receptacle coverplate with weather-resistant flip lid*	3058-E	3058-Y

*NEMA Type 3R Rated.

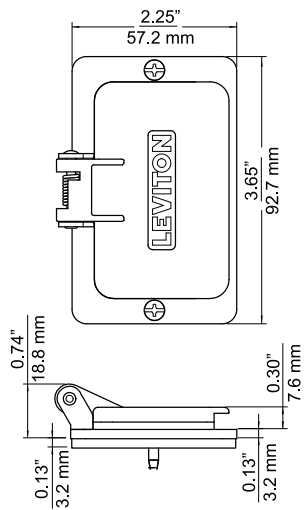
~Tamper Resistant GFCI Devices not compatible

Dimensions for Single Gang Portable Outlet Boxes and Covers

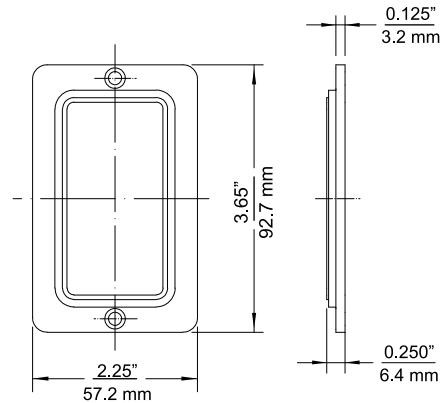
Single Gang Box



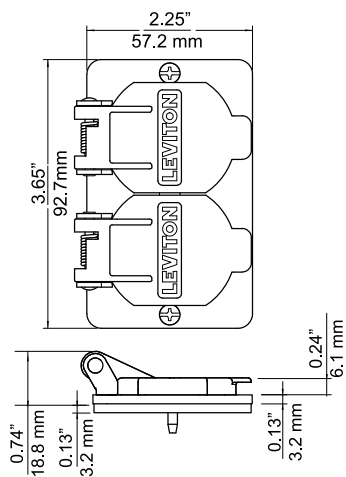
Single Gang GFCI Cover



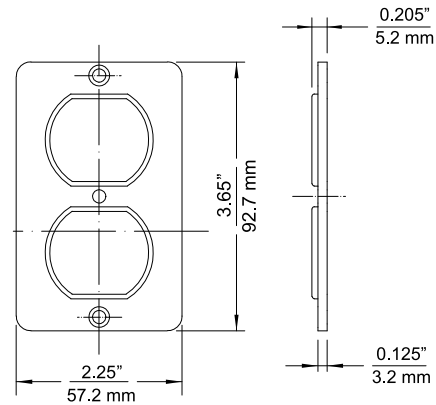
Single Gang GFCI Plate



Single Gang Cover



Single Gang Duplex Cover
Typical for Receptacle Plates



PORTABLE OUTLET BOXES AND COVERS | 2-Gang

Portable Outlet Boxes — 2-Gang



3200-02Y



3300-02Y

2-Gang Portable Outlet Boxes

Description	Cable Diameter	Cat. No. Black	Cat. No. Yellow	Dimension A	Dimension B	Dimension C	Dimension D For angle box ONLY
Standard Depth, Pendant Style	0.590" - 1.000"	3200-2E	3200-2Y	5.100"	5.655"	4.655"	—
Standard Depth, Feed-Thru Style	0.590" - 1.000"	3200F-2E	3200F-2Y	5.100"	5.655"	4.655"	—
Angled Depth, Pendant Style	0.590" - 1.000"	3300-2E	3300-2Y	4.300"	5.655"	4.655"	3.200"

Coverplates — 2-Gang



3265



3260



3260W



3251



3251W



3241



3241W



3262



3262W



3261



3261W



3263



3263W

Coverplates

Description	Cat. No. Black	Cat. No. Yellow
Blank	3265-E	3265-Y
2 - Duplex	3260-E	3260-Y
2 - Duplex with weather-resistant flip lid*	3260W-E	3260W-Y
2 - GFCI	3251-E	3251-Y
2 - GFCI with weather-resistant flip lid*~	3251W-E	3251W-Y
1 - GFCI, 1 - Blank	3241-E	3241-Y
1 - GFCI with weather-resistant flip lid, 1 - Blank*~	3241W-E	3241W-Y
1 - 1.56" diameter Single receptacle, 1 - Duplex receptacle	3262-E	3262-Y
1 - 1.56" diameter Single receptacle with weather-resistant flip lid, 1 - Duplex receptacle coverplate with weather-resistant flip lid	3262W-E	3262W-Y
1 - 1.56" diameter Single receptacle, 1 - Blank coverplate	3261-E	3261-Y
1 - 1.56" diameter Single receptacle with weather-resistant flip lid, 1 - Blank coverplate~	3261W-E	3261W-Y
2 - 1.56" diameter Single receptacle coverplate	3263-E	3263-Y
2 - 1.56" diameter Single receptacle coverplate with weather-resistant flip lid~	3263W-E	3263W-Y

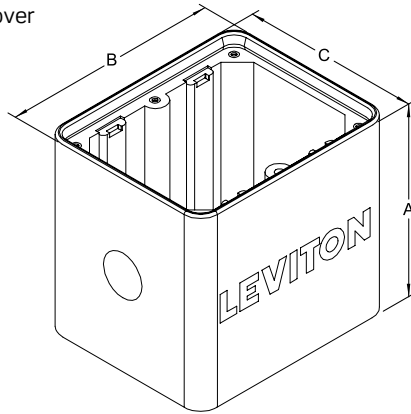
*NEMA Type 3R Rated.

~Tamper Resistant GFCI Devices may not be compatible — consult factory for details

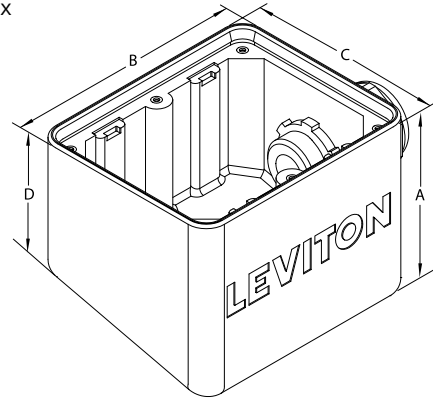
PORTABLE OUTLET BOXES AND COVERS | 2-Gang

Dimensions for Two-Gang Portable Outlet Boxes and Covers

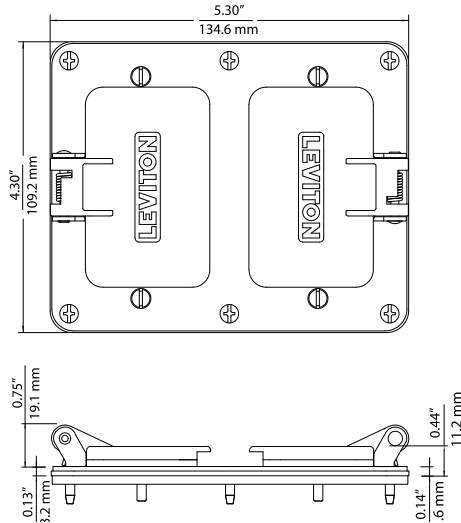
Two Gang Cover



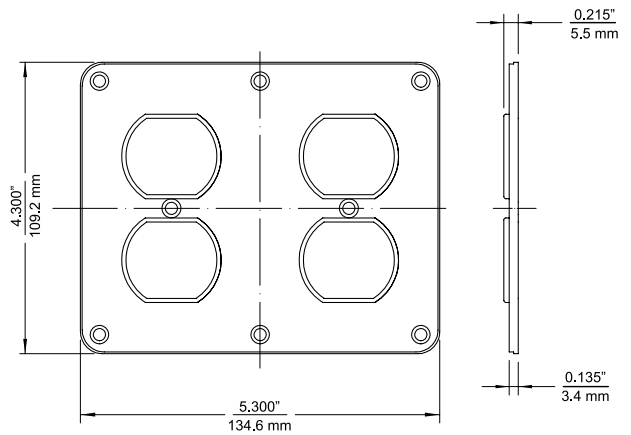
Angle Box



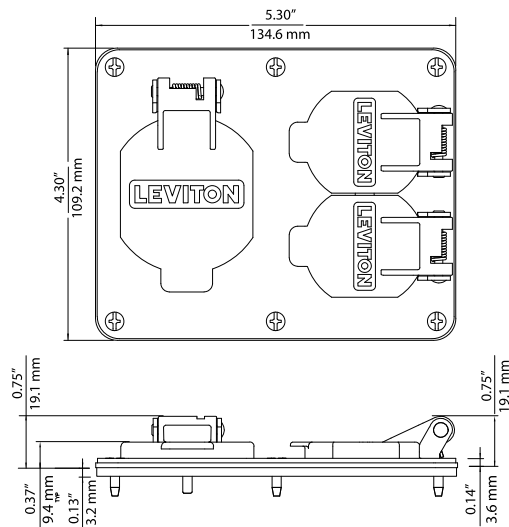
2G Decora Cover



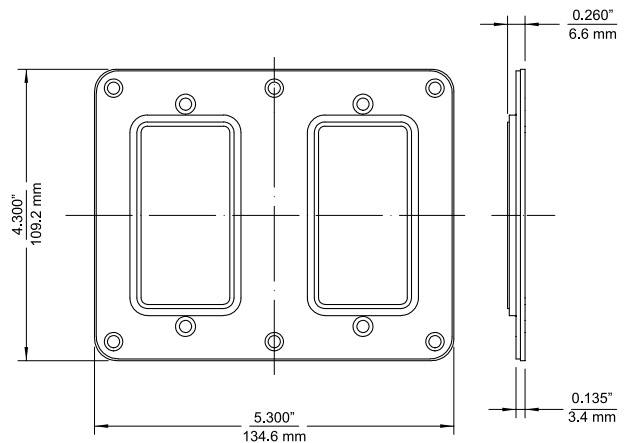
Two-Gang Duplex Plate
Typical for Receptacle Plates



2G Combo Cover
Receptacle and Duplex



Two-Gang GFCI Plate



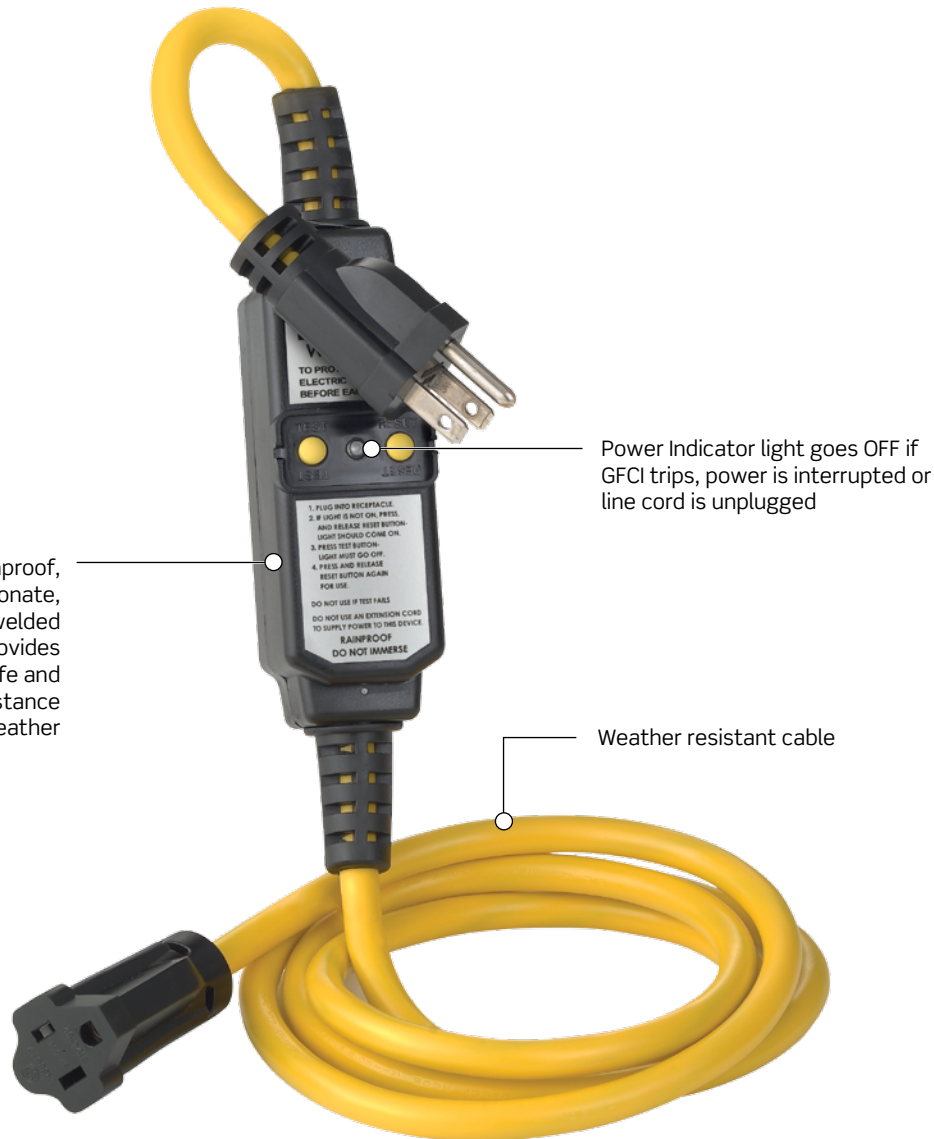
PORTABLE GFCI CORD SETS | Power Supply Cords

Portable GFCI Devices

Automatic and Manual Reset GFCI Cord Sets and Power Supply Cords

Leviton's automatic and manual reset GFCI devices are now sleeker and more rugged than ever. And, while these devices are fully OSHA compliant for use on job sites, they are also perfect for use in a variety of temporary power applications, including as recreation vehicles, marine vehicles, portable pools, portable generators, submersible pumps, vending machines and more.

GFA15-6C



Rainproof, polycarbonate, ultrasonically welded enclosure provides long service life and excellent resistance to harsh weather

Power Indicator light goes OFF if GFCI trips, power is interrupted or line cord is unplugged

Weather resistant cable

Features and Benefits

- Rainproof, outdoor rated GFCI module
- Fully complies with NEC and OSHA regulations for construction sites
- Manual reset cord sets (yellow body) will NOT automatically reset ON when power is restored after a power interruption — RESET button must be actuated
- Automatic reset cord sets (black body) automatically reset ON when plugged in or when power is restored after a power interruption

Continued on next page

PORTABLE GFCI CORD SETS | Power Supply Cords

Continued from previous page

Features and Benefits

- Power indicator light goes OFF if GFCI trips, power is interrupted or GFCI is unplugged
- Open-neutral protection immediately trips the GFCI if the neutral conductor on the line side is opened, eliminating the possibility of the GFCI having a live hot leg
- Custom cord lengths and configurations available as special order
- Impact-resistant thermoplastic cover and body
- Water-resistant enclosure sealed by ultrasonic welding
- Fully complies with NEC and OSHA regulations for construction sites
- UL listed cord sets and user-attachables; UL recognized power supply cords; complies with UL Standard 943 as a Class A GFCI
- CSA Certified
- Backed by a limited 2-year warranty

Automatic Reset GFCI Cord Sets and Power Supply Cords

Rating		15A-120V	
NEMA			
		5-15P	5-15R
Description	Color	Cat. No.	
2 ft. Cord Set, Molded, Straight Blade Plug and Connector	Black	GFA15-2C	
6 ft. Cord Set, Molded, Straight Blade Plug and Connector	Black	GFA15-6C	
25 ft. Cord Set, Molded, Straight Blade Plug and Connector	Black	GFA15-25C	
3 ft. Cord Set, Molded, Straight Blade Plug and Triple Tap Connector	Black	GFA15-3TC	
37 ft. Power Supply Cord, Molded, Straight Blade Plug, No Connector	Black	GFA15-37E	
Rating		20A-120V	
NEMA			
		5-20P	5-20R
Description	Color	Cat. No.	
3 ft. Cord Set, Molded, Straight Blade Plug and Connector	Black	GFA20-3C	
37 ft. Power Supply Cord Molded, Straight Blade Plug, No Connector	Black	GFA20-37E	
Rating		20A-120V	
NEMA			
		L5-20R	L5-20P
Description	Color	Cat. No.	
3 ft. Cord Set, Locking Plug and Connector	Black	GFA20-3LC	



GFA15-3TC



GFA20-37E





GFA20-3C

PORTABLE GFCI CORD SETS | Power Supply Cords

Manual Reset GFCI Cord Sets and Power Supply Cords



Manual Reset GFCI Cord Sets

Rating		15A-120V	
NEMA			
		5-15P	5-15R
Description	Color	Cat. No.	
3 ft. Cord Set, Molded, Straight Blade Plug and Connector*	Yellow	GFM15-3C	
25 ft. Cord Set, Molded, Straight Blade Plug and Connector	Yellow	GFM15-25C	
3 ft. Cord Set, Molded, Straight Blade Plug and Triple Tap Connector*	Yellow	GFM15-3TC	
3 ft. Cord Set, Molded, Straight Blade Plug and Connector, 14-3 SJTW Cord, one end features a 14W47 Wetguard® Plug, other end features a 15W47 Wetguard Connector	Yellow	GFM15-3WC	

*Heavy-Duty #12/3 Type SJTW Cord



GFM20-3C

Rating		20A-120V	
NEMA			
		5-20P	5-20R
Description	Color	Cat. No.	
3 ft. Cord Set, Molded, Straight Blade Plug and Connector, 12-3 SJTW Cord	Yellow	GFM20-3C	
3 ft. Cord Set, Molded, Straight Blade, Plug and Connector, 12-3 SJTW Cord, one end features a 14W33 Wetguard Plug, other end features a 15W33 Wetguard Connector	Yellow	GFM20-3WC	

SPOTLIGHT

Temporary Power

Leviton offers a comprehensive line of temporary power products for the commercial, industrial and entertainment market segments. See Section J, our Temporary Power Section, for our full temporary power offering, or visit us online at www.leviton.com/tempower



GFCI User Attachables

Features and Benefits

- UL 943 Class A GFCI operation with open-neutral protection
- May be pre-wired to cable of any specified length up to 50 feet
- Accept — #18 thru #12 cord sizes Type SJ or ST
- Power indicator light goes off if GFCI trips, power is interrupted or GFCI is unplugged
- Backed by a limited 2-year warranty

16693



16694



Polycarbonate, ultrasonically welded body provides long service life and excellent resistance to harsh weather

Accepts 12 AWG to 18 AWG 3-wire flexible cord (SJ or ST Type)

Terminal chamber sealed with silicon and foam rubber gaskets for superior protection against moisture

User Attachable Devices

Right Angle GFCI Plug			
Rating		15A-120V	20A-120V
NEMA		5-15P	5-20P
Description	Color	Cat. No.	Cat. No.
Automatic Reset	Black	16693*	16793*
Manual Reset	Yellow	16694*	16794*

*Please add -1 to the Cat. No. for bulk pack of 30



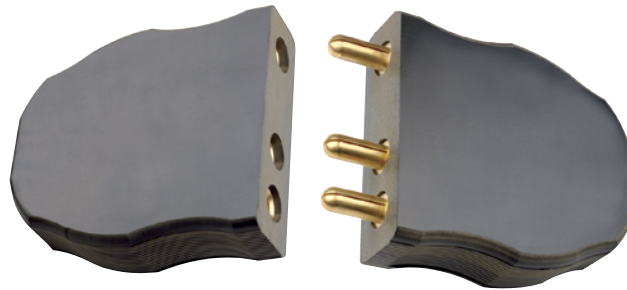
16693

STAGE PIN DEVICES

Stage Pin Devices

Conforms to USITT (United States Institute for Theater Technology) S3 Standard for Stage Pin Connectors

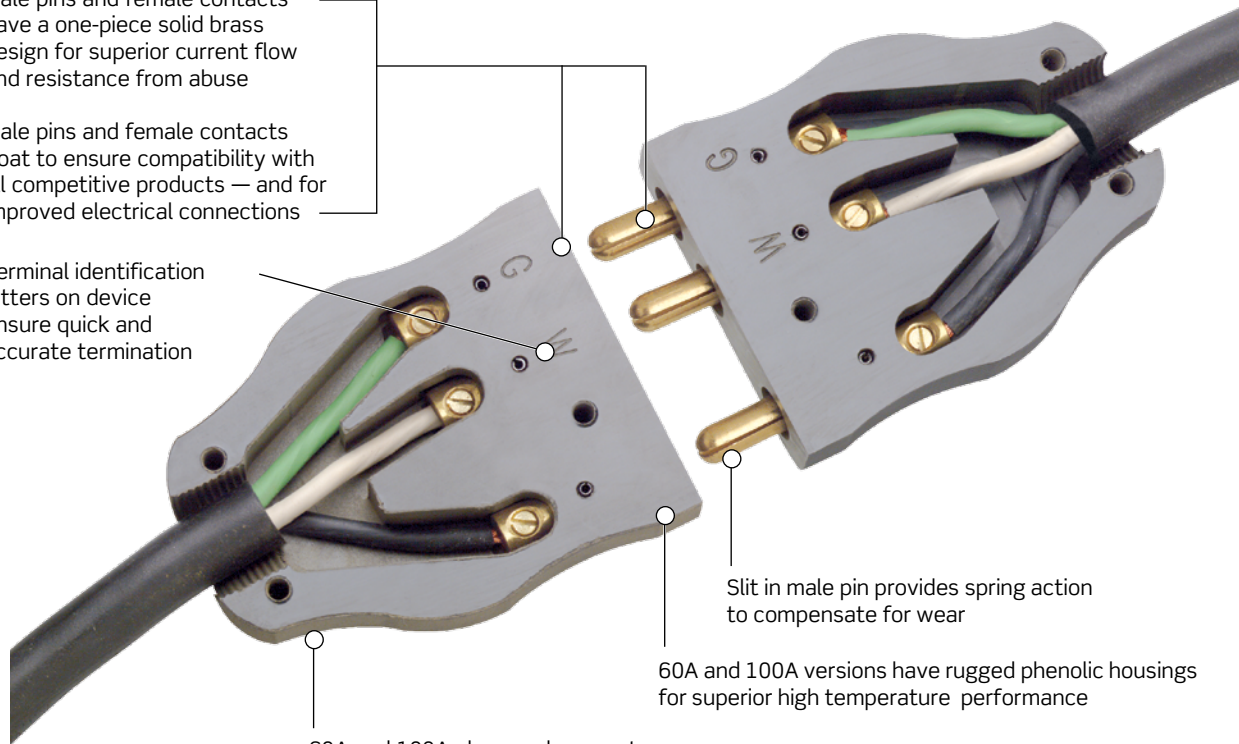
100MP-E



Male pins and female contacts have a one-piece solid brass design for superior current flow and resistance from abuse

Male pins and female contacts float to ensure compatibility with all competitive products — and for improved electrical connections

Terminal identification letters on device ensure quick and accurate termination



Slit in male pin provides spring action to compensate for wear

60A and 100A versions have rugged phenolic housings for superior high temperature performance

60A and 100A plugs and connectors have Sure Grip™ edge for easy handling

20MP-CL



Male Plug, Crimp Terminal



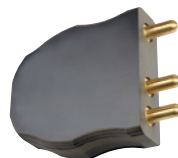
Note: 20 Amp version is available with a clear cover to allow for visual inspection of proper termination of conductors. Other colors available. Consult factory for availability

20A, 60A, and 100A, 125V Stage Pin Devices


20MP-CL



20FP-CL



100MP-E


 Male Panel Mount,
Bolt-On

 Female Panel
Mount, Snap-In

20A, 125V, 2-Pole 3-Wire, Grounding

Description	Color	Cat. No.
Male Plug — Screw Terminal	Black	20MP-E
Male Plug — Screw Terminal	Black w/ Clear Cover	20MP-CL
Male Plug — Crimp Terminal	Black	20MC-E
Male Plug — Crimp Terminal	Black w/ Clear Cover	20MC-CL
Female Connector — Screw Terminal	Black	20FP-E
Female Connector — Screw Terminal	Black w/ Clear Cover	20FP-CL
Female Connector — Crimp Terminal	Black	20FC-E
Female Connector — Crimp Terminal	Black w/ Clear Cover	20FC-CL
Panel Mount Male Inlet — Set Screw Terminal, Snap-In Mounting	Black	20IS-E
Panel Mount Female Receptacle — Screw Terminal, Snap-In Mounting	Black	20RS-E

60A, 125V, 2-Pole 3-Wire, Grounding

Description	Color	Cat. No.
Panel Mount Male Inlet — Set Screw Terminal, Snap-In Mounting	Black	60IS-E
Panel Mount Male Inlet — Set Screw Terminal, Bolt-On Mounting	Black	60IB-1E

100A, 125V, 2-Pole 3-Wire, Grounding

Description	Color	Cat. No.
Male Plug — Set Screw Terminal	Black	100MP-E
Panel Mount Female Receptacle — Set Screw Terminal, Bolt-On Mounting	Black	100RB-1E
Panel Mount Male Inlet — Set Screw Terminal, Bolt-On Mounting	Black	100IB-1E

Note: For 20 Amp male plugs and female connectors, other cover colors are available. Consult factory for availability



POWER DISTRIBUTION BOX AND POWER CORDS

Power Distribution Box and Power Cords

Features and Benefits



The Box

- For temporary use in industrial and commercial maintenance and repair stations (construction, entertainment, amusement sites, trade shows, convention halls) where portable power is needed
- Weatherproof covers prevent moisture from entering contacts and nuisance tripping
- Clear port hole panel for circuit breaker viewing
- Reinforced metal housing and legs withstand abuse
- Backed by a limited 1-year warranty

Power Cords

- Flexible, abrasion-resistant construction for reliable performance to -31°F
- Raintight covers satisfy NEC Article 410-57(b) requirements
- Raintight covers are rated NEMA 3R

Temporary Portable Power Distribution Center/GFCI (The Box)

Rating	50A-120/250V	50A-120/250V	
NEMA	 6: L5-20R	 1: L6-30R	
Description	Cat. No.	Inlet	Outlet
(6) 20A/120V Locking, GFCI Protected	PB101-SGF		
(1) 30A/250V Locking, GFCI Protected			
(6) 20A/120V Locking, GFCI Protected	PB101-000		
(1) 30A/250V Locking, Non-GFCI Protected			
(6) 20A/120V Straight Blade, GFCI Protected	PB103-SGF		
(1) 30A/250V Locking, GFCI Protected			
(6) 20A/120V Straight Blade, GFCI Protected	PB103-000		
(1) 30A/250V Locking, Non-GFCI Protected			





PB101-SGF



KRS-A9519

Power Cords

Description	Cat. No.	Inlet	Outlet
100 ft. Temporary Power Cord w/Weather-Resistant 50A, 120/250 Plug and Connector	KUS-A9519	 Non-NEMA	 Non-NEMA
50 ft. Temporary Power Cord w/Weather-Resistant 50A, 120/250 Plug and Connector	KRS-A9519		