

# 14W17



UPC Code: 07847706511

Country Of Origin: United States

NEMA:  
24-20R

## Brand Features

The Leviton line of straight blade plugs and connectors includes: Black and White industrial grade devices that resist impact, corrosion and chemicals; Wetguard for water or moisture resistance; Dustgard for dust and dirt; Python, with an innovative interlocking design; rugged nylon flanged and outlets; and integrated inlets and outlets with weather resistant covers.

## Item Description

20 Amp, 347 Volt, NEMA 24-20P, 2P, 3W, Plug, Straight Blade, Industrial Grade, Grounding, Wetguard - YELLOW

## Technical Information

### Product Features

**Amperage:** 20 A

**Assembly Screws:** Stainless Steel 300

**Blades/Contacts:** Nickel-Plated Brass

**Body Material:** EPTR Rubber

**Brand:** Wetguard

**Color:** Yellow

**Cord Range:** .375 - .655

**Grounding:** Grounding

**NEMA:** 24-20R

**Pole:** 2

**Standards and Certifications:** UL/CSA

**Voltage:** 347 VAC

**Warranty:** Lifetime Warranty

**Wire:** 3

**Wire Gauge:** 18-10 AWG

**Device Type:** Straight Blade Plug

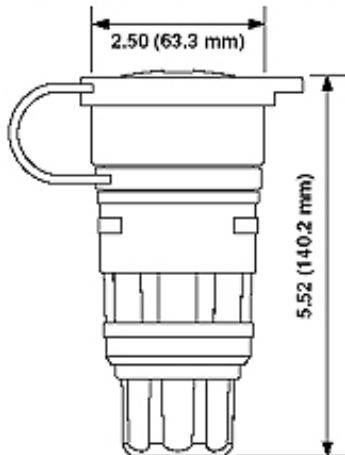
### Environmental Specifications

**Environment:** Wet

**Features and Benefits**

- Corrosion resistant, watertight, and dust tight connector – NEMA Type 3, 3S, 4, 4X, 6, &6P
- Meets IP66 and IP67 standards when mated with a Wetguard connector or inserted in to a corrosion resistant receptacle with a Wetguard flip lid. Plug caps are available to protect the plug when not used
- Corrosion resistant, nickel-plated brass blades and terminal screws plus non-magnetic stainless steel face module screws
- Amperage, voltage, and NEMA configuration are molded into the face module making identification and replacement faster and easier
- Interlocking tongue and groove construction between face module and housing prevents moisture and debris from passing around the face module during use
- Santoprene EPTR housing, grommet, and closure cap resist water, most acids, alkalis, grease, oil, and solvents. EPTR offers enhanced UV stability and resists fungal growth
- Innovative strain relief and cord sealing system features a deep fluted compression nut, strain relief washer, and EPTR grommet for most reliable seal
- Available in high visibility yellow

**Dimensional Diagram**



**SPECIFICATION SUBMITTAL**

JOB NAME: <input type="text"/>	CATALOG NUMBERS: <input type="text"/>	
JOB NUMBER: <input type="text"/>	<input type="text"/>	<input type="text"/>

**Leviton Manufacturing Co., Inc.**

201 North Service Road, Melville, NY 11747

Teléfono: +1-800-323-8920 · FAX: +1-800-832-9538 · Tech Line (8:30AM-7:30PM E.S.T. Monday-Friday): +1-800-824-3005

**Leviton Manufacturing of Canada, Ltd.**

165 Hymus Boulevard, Pointe Claire, Quebec H9R 1E9 · Telephone: +1-800-469-7890 ·

FAX: +1-800-824-3005 · [www.leviton.com/canada](http://www.leviton.com/canada)

**Leviton S. de R.L. de C.V.**

Lago Tana 43, Mexico DF, Mexico CP 11290 · Tel.: (+52)55-5082-1040 · FAX: (+52)5386-

1797 · [www.leviton.com.mx](http://www.leviton.com.mx)

**Visit our Website at: [www.leviton.com](http://www.leviton.com)**

© 2018 Leviton Manufacturing Co., Inc. Todos los derechos reservados. Subject to change without notice.

**Leviton has a global presence.**

If you would like to know where your local Leviton office is located please go to:

[www.leviton.com/international/contacts/](http://www.leviton.com/international/contacts/)

