



**Color:** White

**UPC Code:** 07847783049

**Country Of Origin:** Mexico

**NEMA:**  
5-15R



## 1254-HW

### Brand Features

All Leviton Hospital Grade Receptacles undergo the most stringent UL testing to assure continuous, safe operation in any application requiring high-abuse tolerance, including health care facilities, manufacturing plants and schools.

### Item Description

4-in-1 Quadruplex Receptacle Outlet, Heavy-Duty Hospital Grade, 15 Amp, 125 Volt, Side Wire, NEMA 5-15R, 2-Pole, 3-Wire - White

### Technical Information

#### AC Horsepower Ratings

**At Rated Voltage:** 1/2 HP

#### Electrical Specifications

**Amperage:** 15 A

**Current Limiting:** Full Rated Current

**Dielectric Voltage:** Withstands 2000V per UL498

**Grounding:** Grounding

**Pole:** 2

**Temperature Rise:** Max 30C after 50 cycles OL at 150 percent rated current

**Voltage:** 125 VAC

**Wire:** 3

#### Environmental Specifications

**Flammability:** Rated V-2 per UL 94

**Operating Temperature:** -40°C to 60°C

#### Material Specifications

**Body Material:** Nylon

**Color:** White

**Face Material:** Nylon

**Grounding Screw:** Plated Steel

**Line Contacts:** Phosphor Bronze

**Mounting Screws:** Zinc-Plated Steel 8-32

**Strap Material:** Galvanized Steel with Riveted Ground Contacts

**Terminal Screws:** Brass 8-32

#### Mechanical Specifications

**Product ID:** Ratings are permanently marked on device

**Terminal Accom.:** 14-12 AWG

**Terminal ID:** Brass-Hot, Green-Ground, Silver-Neutral

**Termination:** Side Wire

**Torque Range:** 12-14 inch pounds

#### Product Features

**Brand:** 4-in-1

**Color:** White

**Device Type:** Quadruplex Receptacle Outlet

**Grade:** Heavy-Duty Hospital Grade

**NEMA:** 5-15R

#### Standards and Certifications

**ANSI:** C-73

**CSA C22.2 No. 42:** File 152105

**NEMA:** WD-1 WD-6

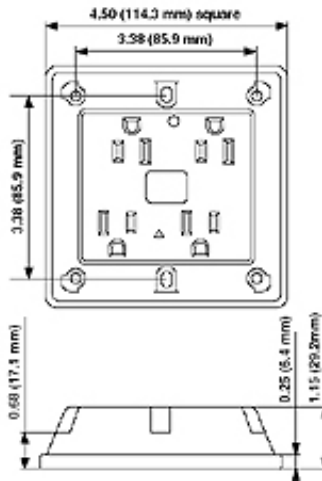
**NOM:** 057

**UL498:** File E13399

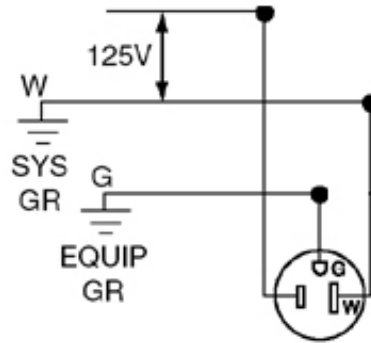
**UL498HG:** File E13399

**Warranty:** 10 Year Limited

### Dimensional Diagram



### Wiring Diagram



5-15R

### SPECIFICATION SUBMITTAL

JOB NAME:	CATALOG NUMBERS:	
<input type="text"/>	<input type="text"/>	<input type="text"/>
JOB NUMBER:	<input type="text"/>	<input type="text"/>

#### Leviton Manufacturing Co., Inc.

201 North Service Road, Melville, NY 11747

Teléfono: +1-800-323-8920 · FAX: +1-800-832-9538 · Tech Line (8:30AM-7:30PM E.S.T. Monday-Friday): +1-800-824-3005

#### Leviton Manufacturing of Canada, Ltd.

165 Hymus Boulevard, Pointe Claire, Quebec H9R 1E9 · Telephone: +1-800-469-7890 ·

FAX: +1-800-824-3005 · [www.leviton.com/canada](http://www.leviton.com/canada)

#### Leviton S. de R.L. de C.V.

Lago Tana 43, Mexico DF, Mexico CP 11290 · Tel.: (+52)55-5082-1040 · FAX: (+52)5386-

1797 · [www.leviton.com.mx](http://www.leviton.com.mx)

Visit our Website at: [www.leviton.com](http://www.leviton.com)

© 2018 Leviton Manufacturing Co., Inc. Todos los derechos reservados. Subject to change without notice.

#### Leviton has a global presence.

If you would like to know where your local Leviton office is located please go to:

[www.leviton.com/international/contacts/](http://www.leviton.com/international/contacts/)

