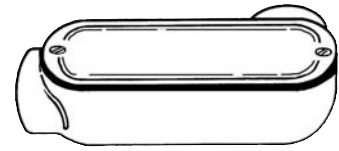
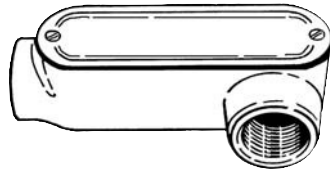


**Aluminum Conduit Bodies with Cover and Gasket Applications**

- For use on threaded rigid/IMC conduit
- Use conduit outlet bodies for connecting conduit sections, for making bends in conduit runs, as pull outlets, or to provide openings for making splices and taps in conductors



**Aluminum Conduit Bodies with Cover and Gasket**  
**Product Features**

- Assembled with cover and gasket to speed installation — installer has all components needed
- Flat back design for easy mounting close to walls
- Cast of high strength, corrosion and weather resistant aluminum alloy with painted finish
- May be used on aluminum or steel conduit
- Lightweight, makes installation simple
- Unique E-PAK™ packaging serves as a shipping and display carton
- Bell® conduit bodies are UPC-A bar coded for sales and inventory control

**Compliances**

- – Standard 514B
- – C22.2 #18

TYPE LL

TYPE LR

**ORDERING INFORMATION - DIMENSIONS**

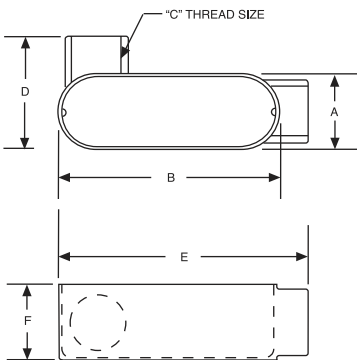
TYPE LL				
CATALOG NUMBER	TRADE SIZE	STD. PKG.	PKG. TYPE	UPC BAR CODE
EALL-1CG	1/2"	12	E-PAK	
EALL-2CG	3/4"	15	E-PAK	
EALL-3CG	1"	5	E-PAK	

DIMENSIONS - TYPE LL						
CONDUIT SIZE	A	B	C	D	E	F
1/2"	1-5/16"	3-7/8"	1/2"	2-3/64"	4-3/8"	1-7/16"
3/4"	1-1/2"	4-5/8"	3/4"	2-5/16"	5-1/8"	1-11/16"
1"	1-3/4"	5-3/8"	1"	2-21/32"	5-15/16"	1-15/16"

TYPE LR				
CATALOG NUMBER	TRADE SIZE	STD. PKG.	PKG. TYPE	UPC BAR CODE
EALR-1CG	1/2"	12	E-PAK	
EALR-2CG	3/4"	15	E-PAK	
EALR-3CG	1"	5	E-PAK	

DIMENSIONS - TYPE LR						
CONDUIT SIZE	A	B	C	D	E	F
1/2"	1-5/16"	3-7/8"	1/2"	2-3/64"	4-3/8"	1-7/16"
3/4"	1-1/2"	4-5/8"	3/4"	2-5/16"	5-1/8"	1-11/16"
1"	1-3/4"	5-3/8"	1"	2-21/32"	5-15/16"	1-15/16"

TYPE LL



TYPE LR

