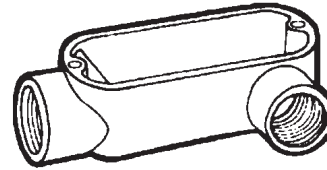


Aluminum Conduit Bodies Applications

- For use on threaded rigid/IMC conduit
- Use conduit bodies for making turns in conduit systems, connecting conduit sections, as pull outlets, and to provide openings for maintenance and making taps and splices to conductors



Aluminum Conduit Bodies Product Features

- Flat back design for easy mounting close to walls
- Cast of high strength, corrosion and weather resistant aluminum alloy with painted finish
- May be used on aluminum or steel conduit
- Lightweight, makes installation simple

Compliances

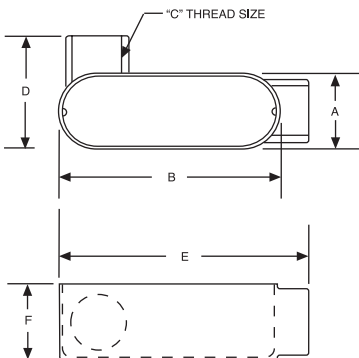
- – Standard 514B
- – C22.2 #18

TYPE LL

ORDERING INFORMATION - DIMENSIONS

TYPE LL				
CATALOG NUMBER	TRADE SIZE	UNIT CTN. QTY.	SHIP CTN. QTY.	UPC BAR CODE
EALL-1	1/2"	10	100	—
EALL-2	3/4"	10	50	—
EALL-3	1"	6	24	—
EALL-4	1-1/4"	2	8	—
EALL-5	1-1/2"	2	8	—
EALL-6	2"	1	5	—
EALL-7	2-1/2"	—	1	—
EALL-8	3"	—	1	—
EALL-9	3-1/2"	—	1	—
EALL-10	4"	—	1	—

TYPE LL



DIMENSIONS						
CONDUIT SIZE	A	B	C	D	E	F
1/2"	1-5/16"	3-7/8"	1/2"	2-3/64"	4-3/8"	1-7/16"
3/4"	1-1/2"	4-5/8"	3/4"	2-5/16"	5-1/8"	1-11/16"
1"	1-3/4"	5-3/8"	1"	2-21/32"	5-15/16"	1-15/16"
1-1/4"	2-1/2"	6-5/8"	1-1/4"	3-15/32"	6-7/8"	2-7/8"
1-1/2"	2-1/2"	6-5/8"	1-1/2"	3-15/32"	6-7/8"	2-7/8"
2"	3-1/8"	8-1/2"	2"	3-7/8"	9-7/32"	3-7/16"
2-1/2"	4-9/16"	12-1/4"	2-1/2"	6"	13-1/8"	4"
3"	4-9/16"	12-1/4"	3"	6"	13-1/8"	4-3/4"
3-1/2"	5-7/16"	14-7/8"	3-1/2"	6-1/4"	15-3/8"	5-1/2"
4"	5-7/16"	14-7/8"	4"	6-1/4"	15-3/8"	5-1/2"