



STARTERS

COMPACT MANUAL IEC STARTERS



B7MS1P
Push Button Style



B7MS2R
Rotary Style

Class I, Div. 1 & 2, Groups B, C, D
Class I, Zones 1 & 2, Groups IIB+H₂, IIA
Class II, Div. 1 & 2, Groups E, F, Ga
Class III, Div. 1 & 2
ENCL. Type 3, 4 & 4X

Certified - File LR11714

FEATURES-SPECIFICATIONS

Applications

The PRISM® B7MS Series of non-reversing, manual line voltage starters and enclosures are suitable for use in applications requiring manual across-the-line starting and stopping of small single and polyphase AC motors, and where overload protection is needed. Manual starters are generally used on small machine tools, fans and blowers, pumps, compressors, and conveyors as well as many other types of electrical equipment.

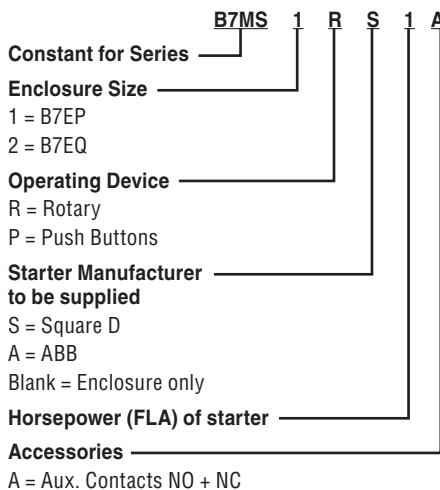
PRISM® enclosures universal design accommodates, as standard, IEC starter manufacturers including Square D, Cutler-Hammer, ABB, Siemens, Moeller, Sprecher + Schuh, Allen-Bradley, Advance Controls, and WEG.

Square D © Schneider Electric
 Siemens © Siemens AG
 Moeller © Moeller Electric Corp.

See catalog pg. DE8A for copyrights of other brands referenced.

When ordered with starters, ABB or Square D supplied.

Catalog Logic



Features

- Compact size enclosures provide application flexibility with cost savings over industry standard sizes
- NEMA 4, 4X rated – providing protection from hose directed water and corrosion
- Pre-drilled to facilitate easy field installation of starters
- 2 operating styles, rotary or push button, including lock-out provision.
- Provisions for drain and breather
- Bolt on ductile mounting lugs
- Two NPT conduit openings provided as standard, with custom openings on request

Electrical Rating

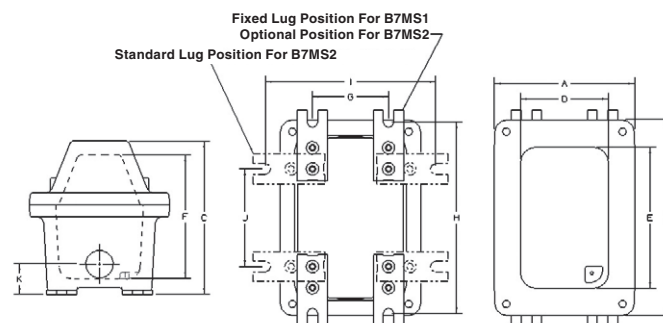
- Starters rated 600V, 3 phase up to 50HP

Standard Materials /Finish

- Enclosures: Copper-free aluminum (less than 4/10 of 1% copper content)
- Cover Bolts: 316 Stainless Steel
- O-ring Gasket: Silicone
- Finish: Grey Powder Polyester painted exterior, electrostatically applied

MODIFICATIONS	
SUFFIX NUMBER	DESCRIPTION
KIT-251	100 amp ground lug
A	Auxiliary contacts 1 NO + 1 NC
SU-2	Hinge-9 Installed
SU3B-4X	Drain & Breather installed TYPE 4X
SU3B-4XSS	Drain & Breather installed TYPE 4X SS
B7SPNPT	Change Std. conduit size and location
SU9	Special paint finish
SU14	Fungus proofing of enclosures

DIMENSIONS



ENCLOSURE	OUTSIDE BOX DIMENSIONS			NOMINAL INSIDE BOX			MOUNTING DIMENSIONS				CONDUIT SIZE	
	A	B	C	D	E	F	G	H	I	J		K
B7MS1	5-3/4	8-1/16	6-5/16	3-5/8	5-13/16	5-1/16	3-1/8	8-1/8	—	—	1-1/4	1
B7MS2	8-1/8	13-1/16	7-13/16	4-1/4	9-13/16	6-5/16	2-1/2	11-3/8	6-3/8	7-1/2	1-13/16	1-1/2



B7MS SERIES



COMPACT MANUAL IEC STARTERS

B7MS – ROTARY STYLE WITH ABB MS132 & MS450 SERIES								
	CATALOG NUMBER	ADJUSTMENT RANGE FLA	SINGLE PHASE HP		THREE PHASE HP			
			120V	230V	200V-208V	230V	480V	600V
ENCLOSURE WITHOUT STARTER B7MS1R	B7MS1RA-1	0.63 - 1.0					0.5	0.5
	B7MS1RA-2	1.0 - 1.6		0.1			0.75	0.75
	B7MS1RA-3	1.6 - 2.5		0.167		0.5	1	1.5
	B7MS1RA-4	2.5 - 4.0	0.125	0.33		1	2	3
	B7MS1RA-5	4.0 - 6.3	0.25	0.5		1.5	3	5
	B7MS1RA-6	6.3 - 9.0	0.33	1		2.5	5	7.5
	B7MS1RA-7	9.0 - 12.5	0.5	2		3	7.5	10
	B7MS1RA-8	12.5 - 16.0	1	2.5		5	10	10
	B7MS1RA-9	16.0 - 20.0	1.5	3		5	10	15
	B7MS1RA-10	20.0 - 25.0	2	3		7.5	15	20
ENCLOSURE WITHOUT STARTER B7MS2RA FOR USE WITH ABB ONLY	B7MS2RA-12	11 - 16	1	3	5	5	10	15
	B7MS2RA-13	14 - 20	1.5	3	5	7.5	15	20
	B7MS2RA-14	18 - 25	2	5	7.5	10	20	25
	B7MS2RA-15	22 - 32	3	5	10	10	25	30
	B7MS2RA-16	28 - 40	3	7.5	15	15	30	40
	B7MS2RA-17	36 - 45	5	7.5	15	15	30	40
	B7MS2RA-18	40 - 50	5	10	15	20	40	50
	B7MS – PUSH BUTTON STYLE SQUARE D GV2 SERIES							
ENCLOSURE WITHOUT STARTER B7MS1P*	B7MS1PS-1	0.63 - 1.0					0.5	0.5
	B7MS1PS-2	1.0 - 1.6		0.1			0.75	1
	B7MS1PS-3	1.6 - 2.5		0.167	0.5	0.5	1	1.5
	B7MS1PS-4	2.5 - 4.0	0.125	0.33	0.75	1	2	3
	B7MS1PS-5	4.0 - 6.3	0.25	0.5	1.5	1.5	3	5
	B7MS1PS-6	6.0 - 10.0	0.5	1.5	2	3	5	7.5
	B7MS1PS-7	9.0 - 14.0	0.75	2	3	3	10	10
	B7MS1PS-8	13.0 - 18.0	1	3	5	5	10	15
	B7MS1PS-9	17.0 - 23.0	1.5	3	5	7.5	15	20
	B7MS1PS-10	20.0 - 25.0	2	3	5	7.5	15	20
	B7MS1PS-11	24.0 - 32.0	2	5	10	10	20	30
ENCLOSURE WITHOUT STARTER B7MS2P	GV3 SERIES PUSH BUTTON STARTER	Discontinued by the manufacturer						
B7MS – ROTARY STYLE WITH SQUARE D GV2 & GV3 SERIES								
ENCLOSURE WITHOUT STARTER B7MS1R	B7MS1RS-1	0.63 - 1.0					0.5	0.5
	B7MS1RS-2	1.0 - 1.6		0.1			0.75	1
	B7MS1RS-3	1.6 - 2.5		0.167	0.5	0.5	1	1.5
	B7MS1RS-4	2.5 - 4.0	0.125	0.33	0.75	1	2	3
	B7MS1RS-5	4.0 - 6.3	0.25	0.5	1.5	1.5	3	5
	B7MS1RS-6	6.0 - 10.0	0.5	1.5	2	3	5	7.5
	B7MS1RS-7	9.0 - 14.0	0.75	2	3	3	10	10
	B7MS1RS-8	13.0 - 18.0	1	3	5	5	10	15
	B7MS1RS-9	17.0 - 23.0	1.5	3	5	7.5	15	20
	B7MS1RS-10	20.0 - 25.0	2	3	5	7.5	15	20
	B7MS2RS-11	24.0 - 32.0	2	5	10	10	20	30
ENCLOSURE WITHOUT STARTER B7MS2R	B7MS2RS-12	9.0 - 13.0	1	2	3	3	7.5	10
	B7MS2RS-13	12.0 - 18.0	1	3	5	5	10	15
	B7MS2RS-14	17.0 - 25.0	2	3	7.5	7.5	15	20
	B7MS2RS-15	23.0 - 32.0	2	5	10	10	20	30
	B7MS2RS-16	30.0 - 40.0	3	5	10	10	30	30
	B7MS2RS-17	37.0 - 50.0	3	7.5	15	15	40	40
	B7MS2RS-18	48.0 - 65.0	5	10	20	20	50	50

B7MS1R – For use with ABB MS116, MS325, MS132 Automation Direct BM3 Cutler-Hammer XTPR Moeller PKZM0 Seimens 3RV Sprecher + Schuh KTA7 SQ D Telemecanique GV2P WEG MPW25

B7MS2R – For use with Automation Direct BM3 SQ D Telemecanique GV3P

B7MS2RA – For use with ABB MS450

B7MS1P – For use with Cutler-Hammer XTPB Moeller PKZM01 SQ D Telemecanique GV2ME WEG MPW25

B7MS2P – For use with Advance Control MMS25

*** B7MS1PRW** – (enclosure without starter) For use with Allen-Bradley 140 Sorecher + Schuh KT4