

# Valkyrie™

A Kichler® Décor™ ceiling fan



Includes our new  
CoolTouch™ 6 Speed DC Control System  
Looks permanent, but goes wherever you go!  
U.S. Patent Pending

**KICHLER**  
LIGHTING 

Kichler® Lighting  
7711 East Pleasant Valley Road  
P.O. Box 318010  
Cleveland, Ohio 44131-8010

Customer Service  
866.558.5706  
8:30 AM to 5:00 PM EST,  
Monday - Friday

Instruction Manual

**KICHLER**  
LIGHTING 

Our High Efficiency DC Motor Technology  
Requires 70% Less energy than a Standard  
Ceiling Fan AC Induction Motor.

## 1. SAFETY RULES

1. To reduce the risk of electric shock, insure electricity has been turned off at the circuit breaker or fuse box before beginning.
2. All wiring must be in accordance with the National Electrical Code and local electrical codes. Electrical installation should be performed by a qualified licensed electrician.
3. **WARNING:** Suitable for use with solid-state speed controls.
4. **WARNING:** To reduce the risk of personal injury, use only the two steel screws (and lock washers) provided with the outlet box for mounting to the outlet box. Most outlet boxes commonly used for the support of lighting fixtures are not acceptable for fan support and may need to be replaced, consult a qualified electrician if in doubt.
5. The outlet box and support structure must be securely mounted and capable of reliably supporting a minimum of 50 pounds. Use only ETL Listed outlet boxes marked "FOR FAN SUPPORT".
6. The fan must be mounted with a minimum of 7 feet clearance from the trailing edge of the blades to the floor.
7. To operate the reverse function on this fan, press the reverse button while the fan is running.
8. Avoid placing objects in the path of the blades.
9. To avoid personal injury or damage to the fan and other items, be cautious when working around or cleaning the fan.
10. Do not use water or detergents when cleaning the fan or fan blades. A dry dust cloth or lightly dampened cloth will be suitable for most cleaning.
11. After making the electrical connections, spliced conductors should be turned upward and pushed carefully up into outlet box. The wires should be spread apart with the ground wire and white (common) wire to one side with the black (load) wire to the other side of the outlet box.
12. Electrical diagrams are reference only. Light kits that are not packed with the fan must be ETL Listed and marked suitable for use with the model fan you are installing. Switches must be ETL General Use Switches. Refer to the Instructions packaged with the light kits and switches for proper assembly.

### WARNING

TO REDUCE THE RISK OF FIRE, ELECTRIC SHOCK OR PERSONAL INJURY, MOUNT FAN TO OUTLET BOX MARKED "ACCEPTABLE FOR FAN SUPPORT".

### WARNING

TO REDUCE THE RISK OF PERSONAL INJURY, DO NOT BEND THE BLADE BRACKETS (ALSO REFERRED TO AS FLANGES) DURING ASSEMBLY OR AFTER INSTALLATION. DO NOT INSERT OBJECTS IN THE PATH OF THE BLADES.

### Special Notice

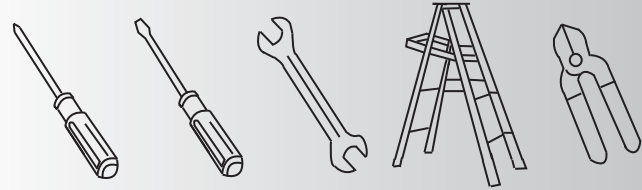
This appliance is equipped with a "Wattage Limiting Device" required by the United States Department of Energy. The device has been installed at the factory and can not be removed.

Installing Lamps in excess of 190 total watts will disable the unit's light fixture. If this should happen, you will need to reset the lighting fixture by turning the power off to the ceiling fan and/or light fixture, reinstalling lamps totaling less than 190 watts and then turning the power back on.



## 2. TOOLS AND MATERIALS REQUIRED

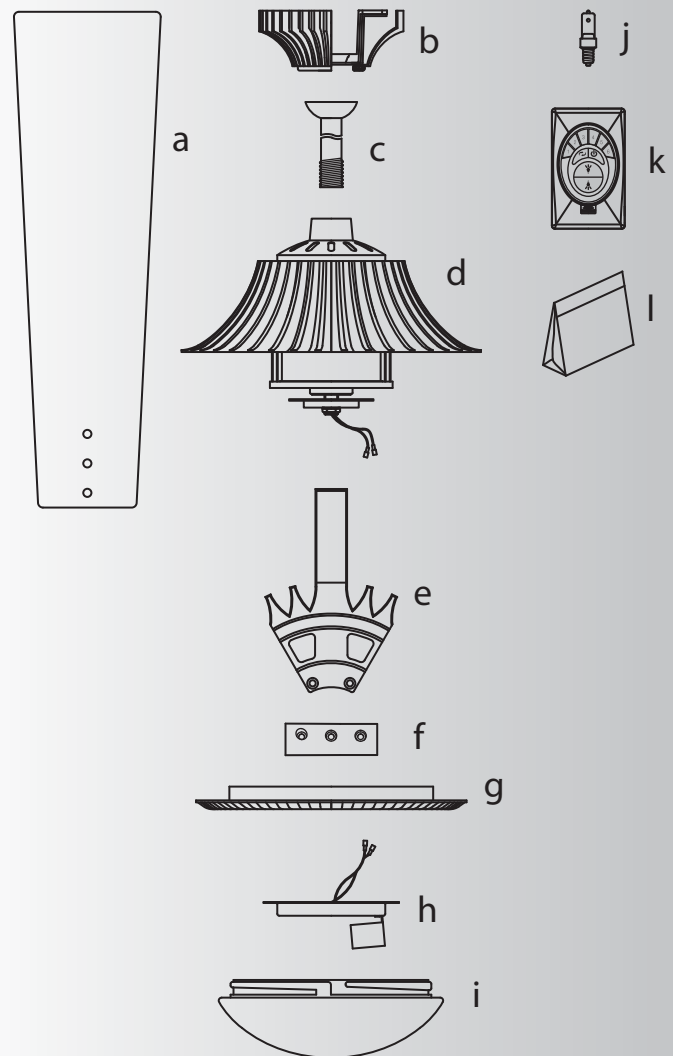
- Philips screw driver
- Blade screw driver
- 11 mm wrench
- Step ladder
- Wire cutters

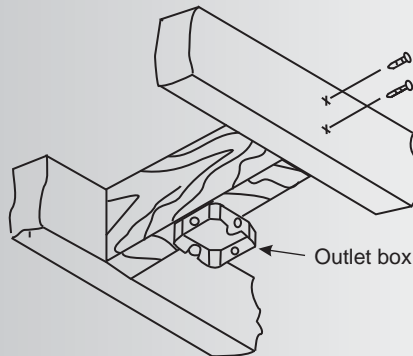
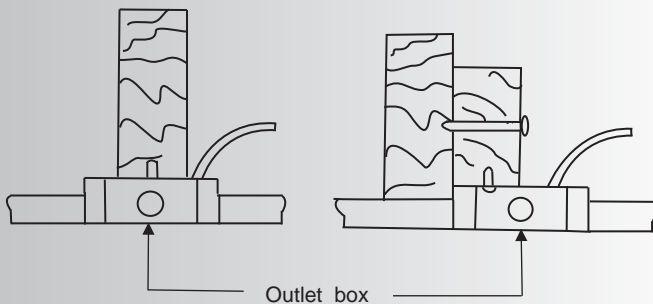
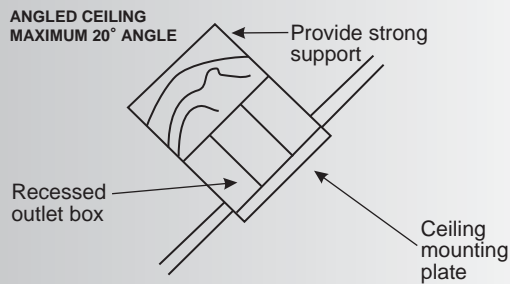
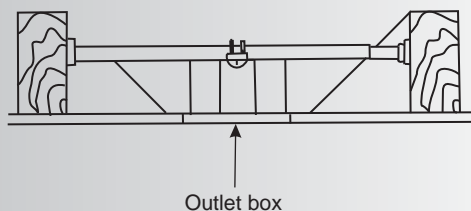


## 3. PACKAGE CONTENTS

Unpack your fan and check the contents. You should have the following items:

- a. Fan blades (6)
- b. Canopy & Ceiling mounting bracket
- c. Ball/downrod assembly
- d. Coupling cover & fan motor assembly
- e. Set of 6 blade brackets and Pre-Installed mounting screws
- f. Blade bracket medallions (6)
- g. Light plate
- h. Socket plate
- i. Glass shade
- j. 40 Watt/E12 T3 krypton bulbs (3)
- k. CoolTouch™ Control System
- l. Part bag contents
  - 1) Mounting hardware:  
wood screws (2), flat washers (2), star washers (2), wire nuts (3), screws (2)
  - 2) Blade attachment hardware:  
screws (20)
  - 3) Blade bracket attachment hardware:  
screws (2)
  - 4) Safety cable hardware:  
wood screw, spring washer, flat washer
  - 5) Balance Kit




**Fig. 1**

**Fig. 2**

**Fig. 3**

**Fig. 4**

## 4. MOUNTING OPTIONS

If there isn't an existing ETL listed mounting box, then read the following instructions. Disconnect the power by removing fuses or turning off circuit breakers.

Secure the outlet box directly to the building structure. Use appropriate fasteners and building materials. The outlet box and its support must be able to fully support the moving weight of the fan (at least 50 lbs). Do not use plastic outlet boxes.

Figures 1, 2 and 3 are examples of different ways to mount the outlet box.

**NOTE:** If you are installing the ceiling fan on a sloped (vaulted) ceiling, you may need a longer downrod to maintain proper clearance between the tip of the blade and the ceiling. A minimum clearance of 12" is suggested for optimal operation.

**NOTE:** Depending on the location you have selected for installation, you may need to purchase and install a "Joist Hanger" for the support of the outlet box. Make sure the joist hanger you purchase has been designed for use with ceiling fans. (Fig. 4)

## 5. HANGING THE FAN

**REMEMBER** to turn off the power before you begin installation. This is necessary for your safety and also the proper programming of the control system.

To properly install your ceiling fan, follow the steps below.

Step 1. Remove the decorative canopy bottom cover from the canopy by turning the cover counter clockwise. (Fig. 5)

Step 2. Remove the ceiling mounting bracket from the canopy by removing (and save) one of the two screws. Loosen the remaining screw by a half turn. (Fig. 5)

Step 3. Pass the 120 volt supply wires from the ceiling outlet box through the center of the ceiling mounting bracket. (Fig. 6)

Step 4. Attach the ceiling mounting bracket to the outlet box using the screws and washers included with the outlet box. (Fig. 6)

Step 5. Remove the coupling cover from the motor housing by removing the two screws from the rim of coupling cover. (Fig. 7)

Step 6. Remove the hanger ball from the downrod assembly by loosening the set screw, removing the cross pin and sliding the ball off the rod. (Fig. 8)

**SPECIAL NOTE:** For proper Control System Programming, it is essential that power is NOT connected or turned on to the ceiling fan during the installation process.

You will be instructed at the proper time to power up the system.

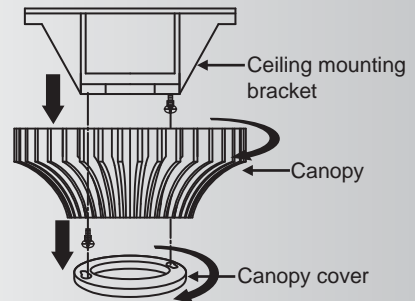


Fig. 5

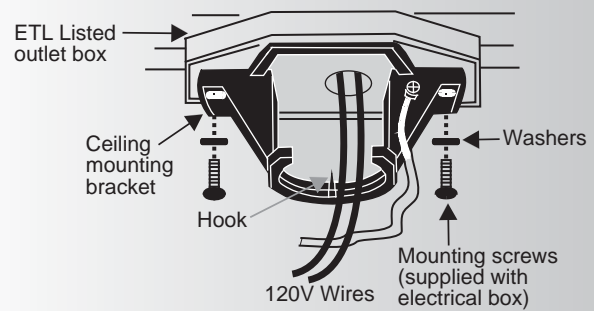


Fig. 6

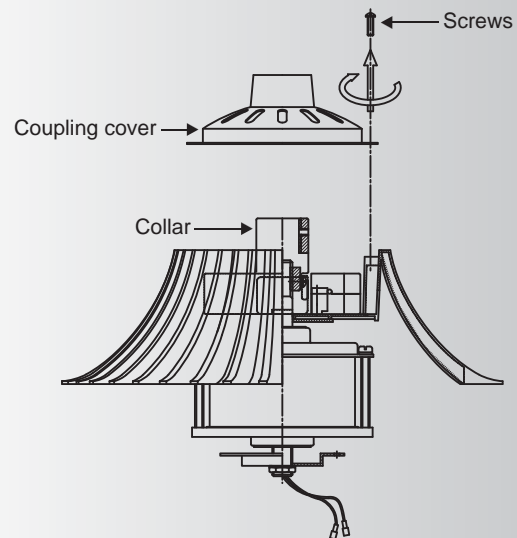


Fig. 7

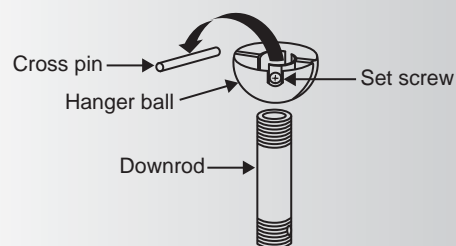
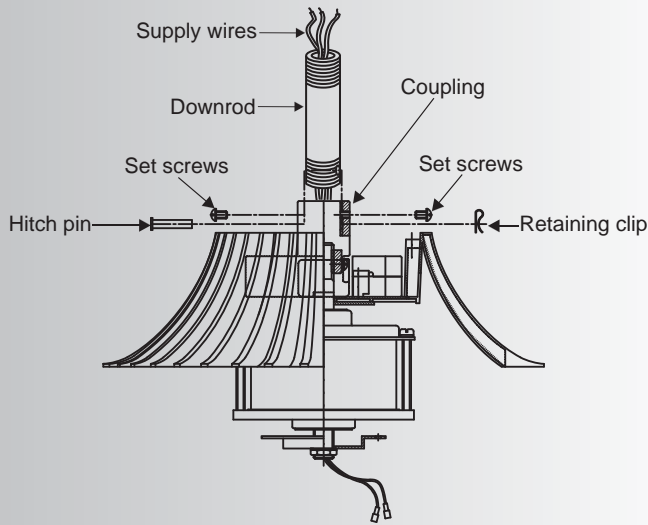
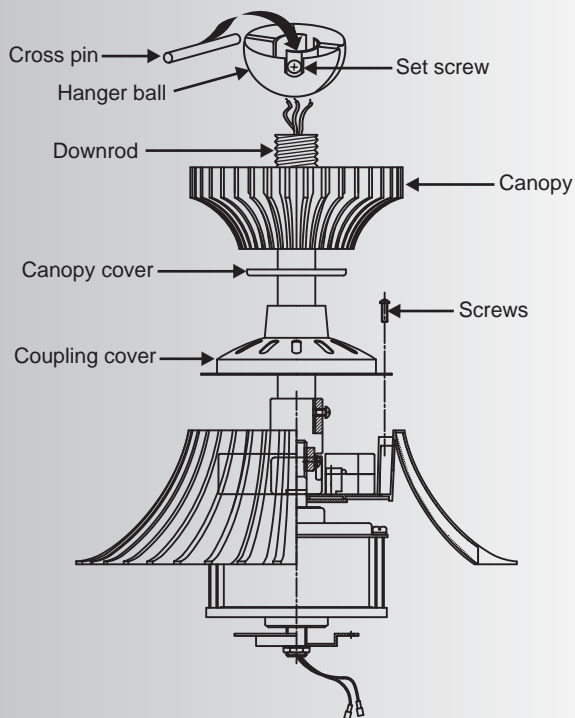
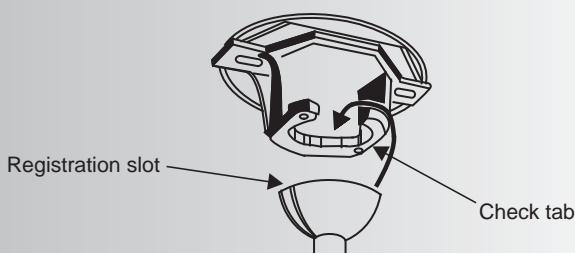


Fig. 8


**Fig. 9**

**Fig. 10**

**Fig. 11**

Step 7. Loosen the two set screws and remove the hitch pin and retaining clip from the coupling on top of the motor assembly. (Fig. 9)

Step 8. Carefully feed the electrical lead wires from the fan up through the downrod. Thread the downrod into the coupling until the Hitch pin holes are aligned.

Next, replace the hitch pin and retaining clip. Tighten both set screws. (Fig. 9)

Step 9. Slip the coupling cover, canopy cover and canopy onto the downrod. Secure the coupling cover to the motor housing using the two screws previously removed. (Fig. 10)

Thread the hanger ball onto the downrod, insert the cross pin through the downrod and tighten. Now tighten the set screw. (Fig. 10)

Step 10. Lift the motor assembly into position and place the hanger ball into the ceiling mounting bracket.

Rotate the entire assembly until the "Check Tab" has dropped into the "Registration Slot" and seats firmly. (Fig. 11)

The entire motor assembly should not rotate (left or right) when seated properly.

**WARNING:** Failure to reattach the cross pin and seat the "Check Tab" can cause the fan to fall from the ceiling during operation. Take special care to make sure this pin is reattached.

## 6. INSTALLATION OF SAFETY SUPPORT (required for Canadian installation ONLY)

A safety support cable is provided to help prevent the ceiling fan from falling, please install it as follows.

**Step 1.** Attach the provided wood screw and washers to the ceiling joist next to the mounting bracket but do not tighten. (Fig. 12)

**Step 2.** Adjust the length of the safety cable to reach the screw and washers by pulling the extra cable through the cable clamp until the overall length is correct, put the end of the cable back through the cable clamp, forming a loop at the end of the cable. Tighten the cable clamp securely. Now, put the loop in the end of the safety cable over the wood screw and under the washer. Tighten the wood screw securely.

**NOTE:** Although the safety support cable is required for Canadian installations only. It's a good idea to make the attachment with any installation.

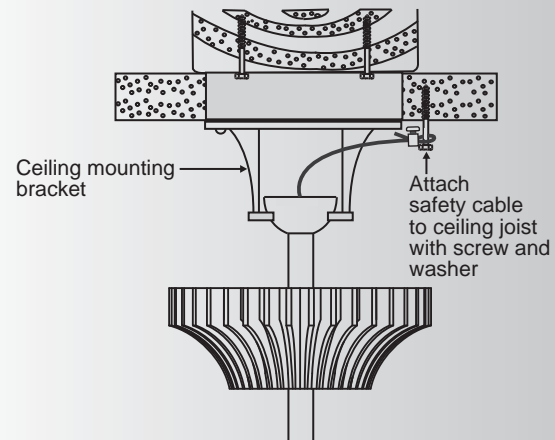


Fig. 12

## 7. ELECTRICAL CONNECTIONS

**WARNING:** To avoid possible electrical shock, be sure you have turned off the power at the main circuit panel.

Follow the steps below to connect the fan to your household wiring. Use the wire connecting nuts supplied with your fan. Secure the connectors with electrical tape. Make sure there are no loose wire strands or connections.

**Step 1.** Connect the fan supply (black) wire to the black household supply wire as shown in Figure 13.

**Step 2.** Connect the neutral fan (white) wire to the neutral household (white) wire.

**Step 3.** Connect the fan ground wire (green) to the household ground wire.

**Step 4.** After connecting the wires, spread them apart so that the green and white wires are on one side of the outlet box and the black and blue wires are on the other side.

**Step 5.** Turn the connecting nuts upward and push the wiring into the outlet box.

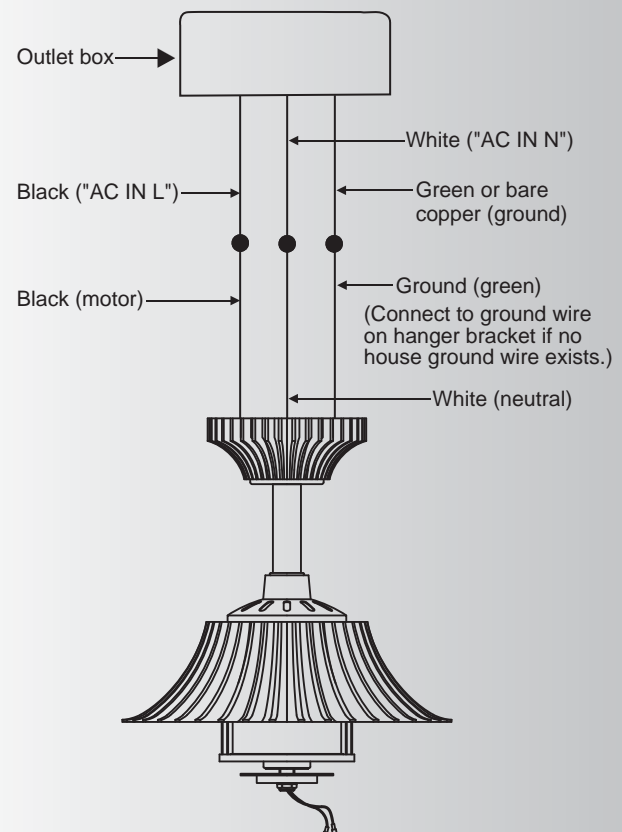
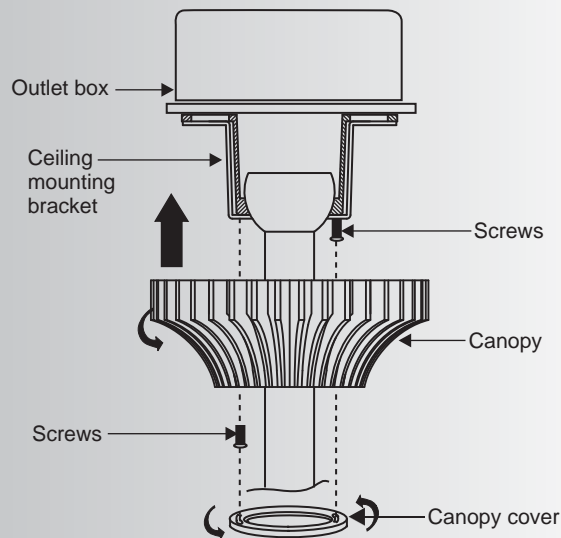


Fig. 13


**Fig. 14**

## 8. FINISHING THE INSTALLATION

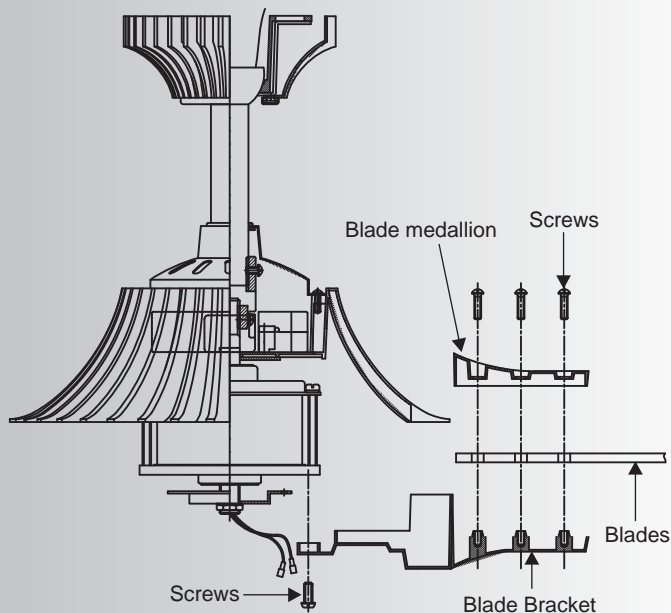
**Step 1.** Tuck all the connections neatly into the ceiling outlet box.

**Step 2.** Slide the canopy up to the mounting bracket and place one of the key hole slots over the mounting screw on the mounting bracket. Rotate the canopy until the screw head locks in place at the narrow section of the key hole. See figure 14.

**Step 3.** Align the remaining circular hole on the canopy with the remaining hole on the Ceiling Mounting Bracket. Insert and tighten the mounting screw you removed earlier and the mounting screw from Step 2 above. Now, attach the canopy cover to the mounting screw heads by inserting the screw heads into the bottom side of the canopy cover and rotating the cover clockwise.

**NOTE:** Adjust the canopy screws as necessary until the canopy and canopy cover are snug. (Fig. 14)

**Warning:** Make sure the "Check Tab" at the bottom of the hanger bracket is properly seated in the "Registration Slot" on the side of the hanger ball before attaching the canopy to the bracket. Failure to properly seat the "Check Tab" could damage the electrical wires when to ceiling fan blade direction is changed while the fan is running.


**Fig. 15**

## 9. ATTACHING THE FAN BLADES

**Step 1.** Attach the blade to the blade bracket using the screws, blade bracket and blade Medallion.

Place a blade between the blade bracket and the blade medallion. Start each screw in the blade bracket

Make sure the blade is straight when set on the blade bracket. Tighten each mounting screw and then repeat this procedure for each blade.

**Step 2.** Attach each blade assembly to the motor using the "Pre-Installed" mounting screws in the blade bracket. (Fig 15)



## 10. INSTALLING THE LIGHT PLATE

Step 1. Loosen the two screws on the mounting ring attached to the motor shaft and "remove" and save the third screw. (Fig. 16)

Step 2. Place the key hole slots on the light plate over the two screws previously loosened on the mounting ring.

Turn the light plate until it locks in place at the narrow section of the key hole slots.

Tighten both key hole screws and replace the third screw previously removed and tighten securely.

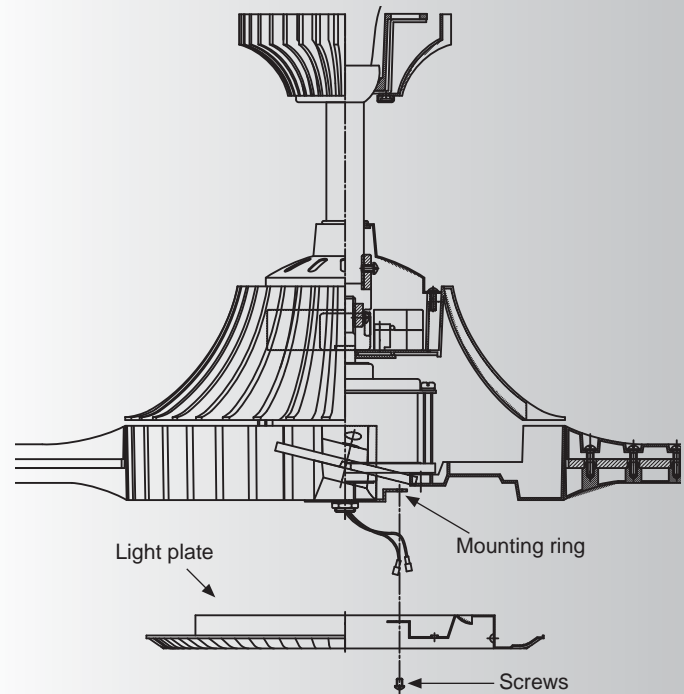


Fig. 16

## 11. INSTALLING THE SOCKET PLATE

**NOTE:** Before continuing installation, confirm that the power is still turned off at the main circuit breaker or by removing the correct fuse. Turning the power off using a wall switch is not sufficient to prevent electrical shock.

Step 1. Loosen the two mounting screws on the inside of the light plate then remove and save the third screw.

Step 2. Hold the Lamp Socket Plate close to the light plate and connect the white wires from the socket plate and the fan by pushing the connectors together. Follow the same procedure with the black wires. (Fig. 17)

Step 3. Tuck the connections neatly into the light plate. Place the key holes on the socket plate over the 2 screws previously loosened from the light plate, turn the socket plate until it locks in place at the narrow section of the key holes. Secure by tightening all three screws. (Fig. 17)

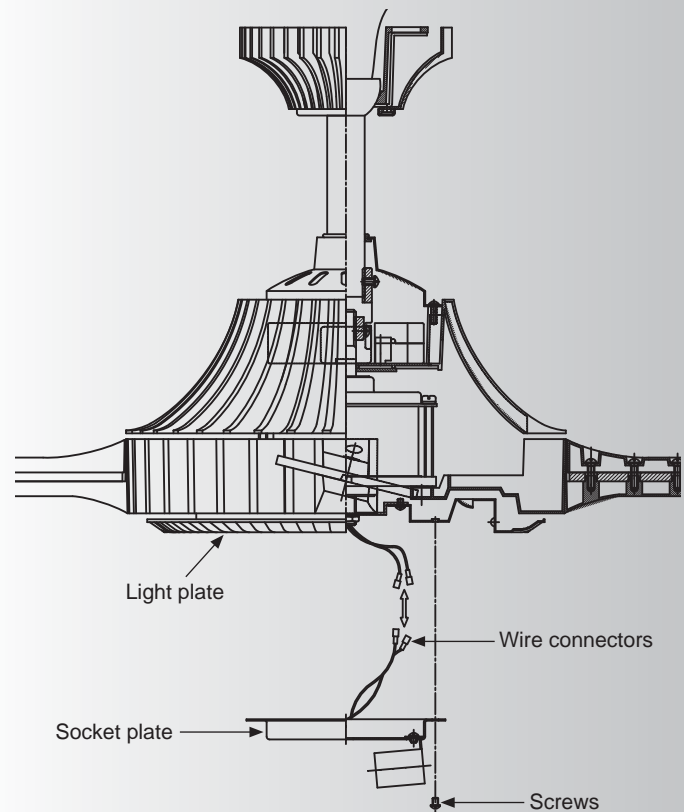
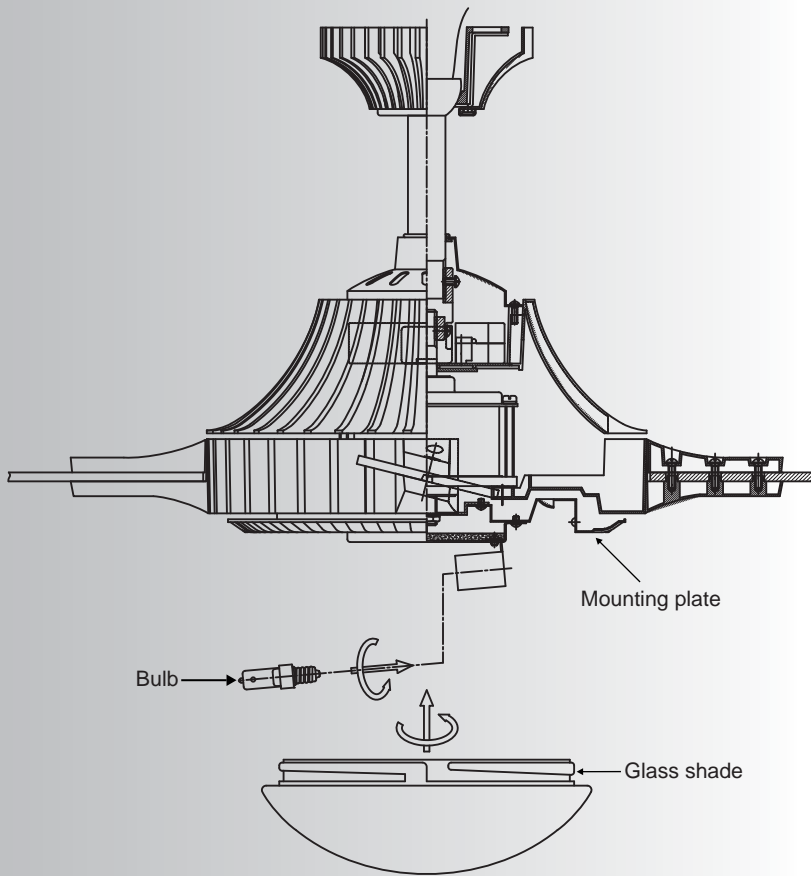


Fig. 17

**Fig. 18**

## 12. INSTALLING THE BULBS AND GLASS SHADE

Step 1. Install the 3, 40 Watt/E12 T3 krypton bulbs. (provided).

Step 2. Raise the glass shade against the light fixture and turn clockwise until snug, **DO NOT OVERTIGHTEN.** (Fig. 18)

### 13. CONTROL SYSTEM SET-UP

Make sure the power is completely disconnected before you begin this procedure.

#### SPECIAL NOTE:

Your new Kichler® Ceiling Fan is State of the Art and employs a High Efficiency DC (direct current) Motor with an advanced CoolTouch™ Remote Control System. The DC Motor uses 70% less energy than a conventional ceiling fan AC Induction Motor. The DC motor is "Digitally" controlled and operates differently than conventional ceiling fans motors. Please read this portion of the manual completely before proceeding.

Our CoolTouch™ Control system includes an "Automatic Frequency Selection" feature. To set the control frequency and program the control system, follow these steps.

Open the back of the Transmitter (figure 19)

The Frequency Selector is a "Dip Switch Block" inside the Battery compartment of the Transmitter. (See figure 20) You change frequencies by arranging the small switches numbered 1 through 4 in a up or down position. 16 possible frequencies or combinations are possible.

The fifth switch, marked D and X sets the system for operation with Incandescent or Fluorescent Lamps. It is essential to set this switch correctly. If your ceiling fan is equipped with **Incandescent Lamps** set this switch to the **D Position**, for **Fluorescent Lamps**, set the switch to the **X Position**. If these settings are reversed, the lighting control system will operate erratically and could damage your ceiling fan.

**System Programing:** Read all of these steps BEFORE proceeding. Each step must be followed exactly to properly program the control system.

1. You can leave the frequency switches at the factory setting or move them to any combination of up or down. Use a small flat bladed screwdriver to move the switches.

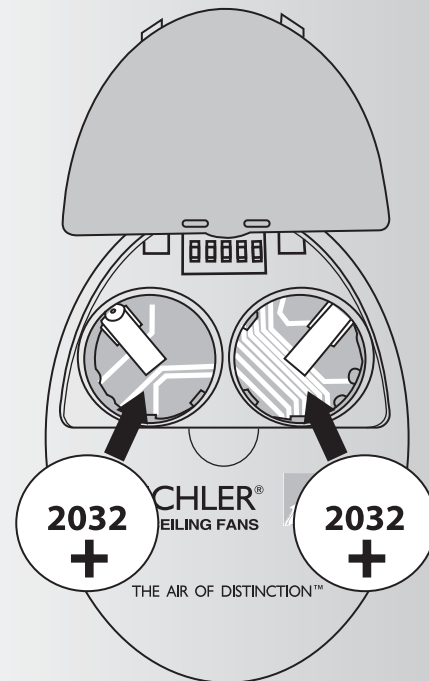


Fig. 19

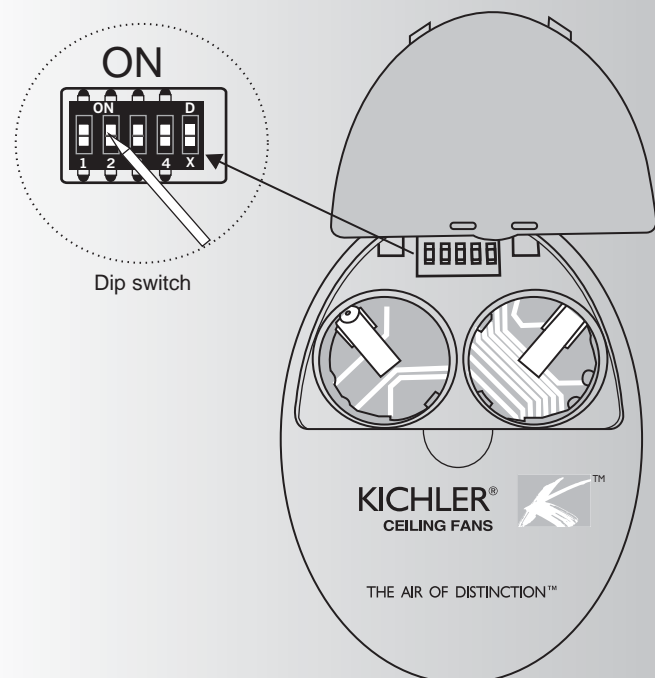
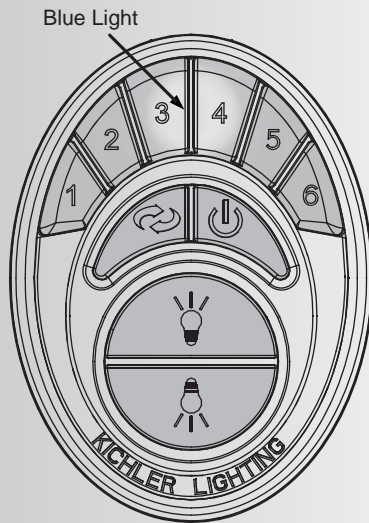
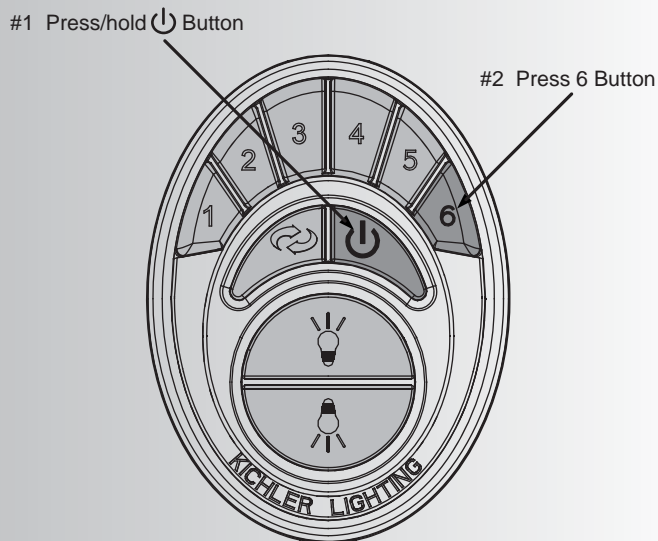



Fig. 20


**Fig. 21**

**Fig. 22**

2. Insert both batteries and make sure they are seated correctly in each recess with the Positive + sign facing up. Replace the battery cover. (Figure 19)

3. Test the transmitter by pushing and releasing ANY button briefly. A Blue Light should illuminate under the 3-4 buttons. (Fig. 21) If not, check to make sure the batteries are inserted and seated correctly.

### Power Up and Programming:

4. Turn the power on, press and hold the  button until the ceiling fan light blinks twice (Figure 22)

**NOTE:** *Do not* press any other button during this procedure.

5. The transmitter just communicated with the ceiling fan, selected the appropriate frequency, did a self check and signaled "complete".

**NOTE:** *This operation must be started WITHIN the first 120 seconds (2 minutes) of turning the power on. No other buttons can be push during this time.*

6. After the ceiling fan light blinks twice, press and release the High Speed (6) Button. Let the ceiling fan run for a minimum of 90 seconds ( 1 ½ minutes). The control system will do another self check, initialize all operational functions and complete the programming process (Figure 22).

7. Your CoolTouch™ Control System is now programmed and ready for use. Please see the follow Operational Instructions.



## 14. OPERATING INSTRUCTIONS:

Figure 23

1. Buttons 1, 2, 3, 4, 5 and 6 are used to set the blade speed as follows:

- 1 = Low Speed
- 2 = Medium Low Speed
- 3 = Medium Speed
- 4 = Medium High Speed
- 5 = High Speed
- 6 = Extra High Speed

Figure 24

2. The "⏻" button:  
This button turns the fan motor off and is also used in the program procedure.

3. The "💡" and "💡" button:  
The "💡" button turns the upper light ON or OFF and also controls the brightness setting on some models. The "💡" button turns the bottom light ON or OFF and also controls the brightness setting.

Press and hold either button to set the desired brightness level. The next time you turn the light on, the system will remember this setting.

Press and release either button to turn the light ON or OFF.

Figure 25

4. The "↻" button is used to set the fan in forward or reverse operation. Each time you press this button the fan blades will reverse direction. This button functions ONLY when the fan blades are in motion.

**OPERATIONAL NOTE:** Each time you start the blades rotating, at any speed or reverse the direction of the blades the Control System will do a "Self Check" to insure operational integrity. The blades will rotate slowly a short distance ( $\frac{1}{4}$  turn), pause, change directions, rotate  $\frac{1}{4}$  turn, then build up RPM'S to the selected speed. This is a perfectly normal procedure and insures normal operating performance.

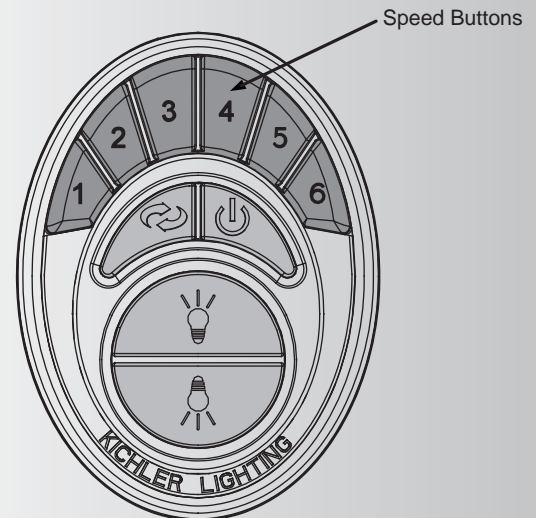


Fig. 23

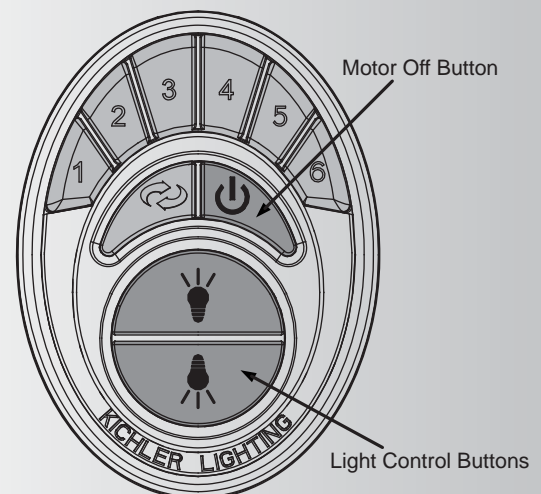


Fig. 24

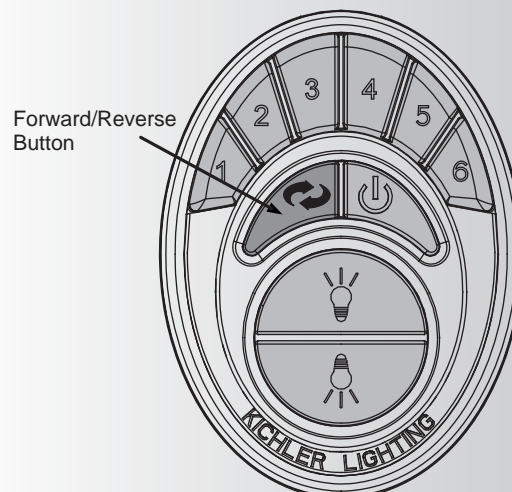
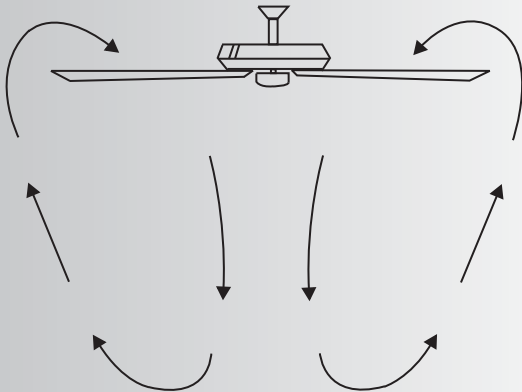
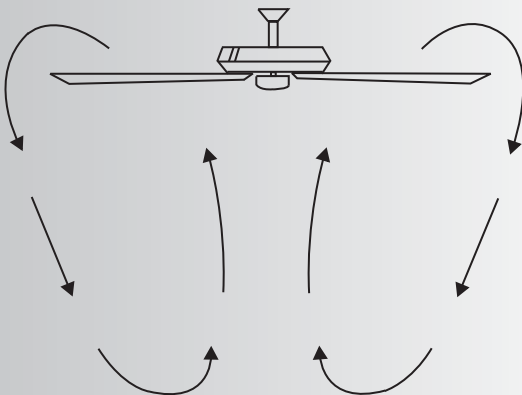


Fig. 25

**NOTE:** Please remember your control system is an RF (Radio Frequency) control system. You may occasionally experience control problems because of other radio frequency interference, i.e. fan turns off, light turns off or won't turn on, speed changes, etc. If this should happen, just change the "Control Frequency" by turning the power off and repeating steps 1 through 6 under System Programming.



**Fig. 26**



**Fig. 27**

Speed settings for warm or cool weather depend on factors such as the room size, Ceiling height, number of fans and so on.

**Warm Weather Operation:** Forward (counter clockwise) A downward airflow creates a cooling effect as shown in Fig. 26. This allows you to set your air conditioner on a warmer setting without affecting your general comfort.

**Cool Weather Operation:** Reverse (clockwise). An upward airflow moves warm air off the ceiling areas as shown in Fig. 27. This allows you to set your heating unit on a cooler setting without affecting your general comfort.

## 15. INSTALLING THE COOLTOUCH™ CONTROL SYSTEM WALL PLATE

Select a location to install your CoolTouch™ Control System Transmitter. You can replace an existing wall switch or, install the transmitter on ANY flat surface.

**Option 1:** Install the control system using an existing wall switch outlet box. Make sure the electrical power is **TURNED OFF** at the main panel before continuing.

Step 1. Remove the existing wall plate and the old switch from the wall outlet box. Wire nut the **BLACK** leads (hot) together and push back inside the outlet box. (Fig. 28)

Step 2. Install the metal plate and CoolTouch™ wall plate to the existing wall outlet box with 4 screws provided. Then place the two plastic plugs into the wall plate. (Fig. 29)

**Option 2:** Install the control system on ANY flat surface.

Select the desired location and use the CoolTouch™ wall plate to mark the location for the mounting holes. Use the dry wall anchors and/or screws provided and finish the installation.

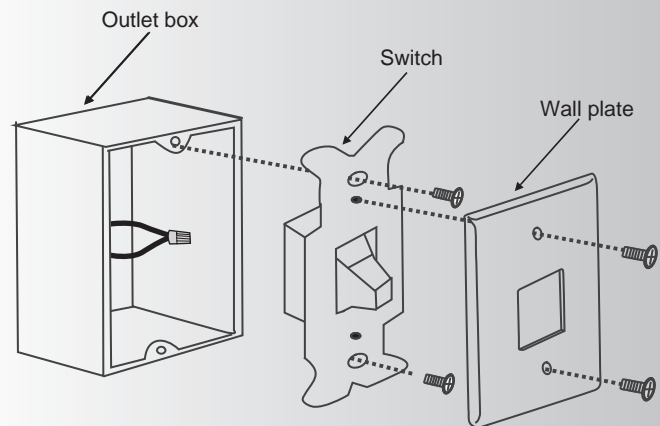


Fig. 28

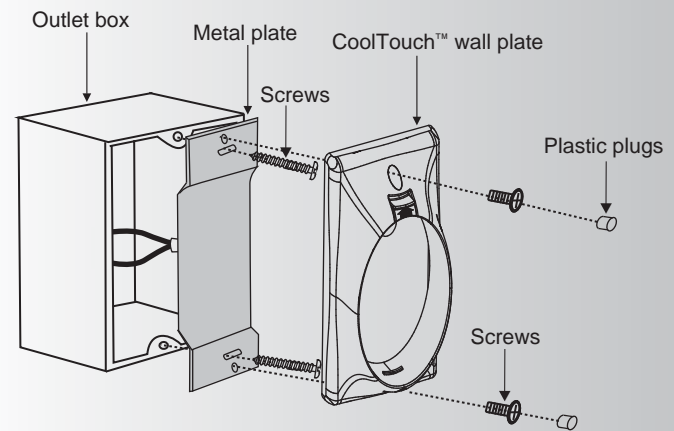


Fig. 29

## 16. INSTALLING THE TRANSMITTER

1. Insert the transmitter into the wall plate by inserting the bottom of the transmitter first and then press the top of the transmitter into the pocket. The transmitter will fully function from this location or you can remove the transmitter and use as a "Hand Held" device. (Fig. 30)

2. To remove the transmitter from the wall plate, push the release button and the transmitter will fall into your hand.

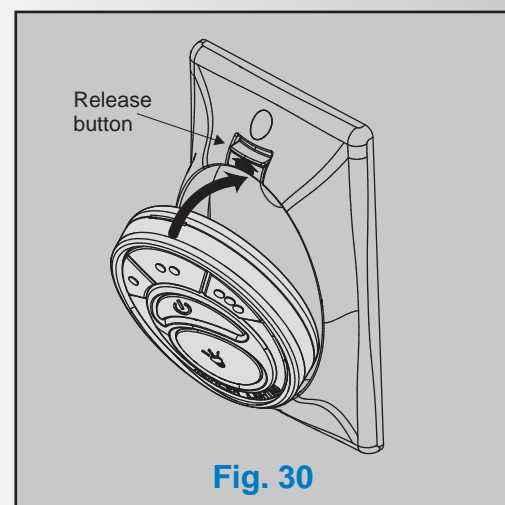


Fig. 30

## 17. TROUBLESHOOTING

Problem	Solution
Fan will not start.	<ol style="list-style-type: none"> <li>1. Check circuit fuses or breakers.</li> <li>2. Check all electrical connections to insure proper contact. <b>CAUTION:</b> Make sure the main power is OFF when checking any electrical connection.</li> <li>3. Make sure the transmitter batteries are installed properly. Positive (+) side facing out.</li> <li>4. Insure the batteries have a good charge.</li> </ol>
Fan sounds noisy.	<ol style="list-style-type: none"> <li>1. Make sure all motor housing screws are snug.</li> <li>2. Make sure the screws that attach the fan blade brackets to the motor are tight.</li> <li>3. Make sure wire nut connections are not rubbing against each other or the interior wall of the switch housing. <b>CAUTION:</b> Make sure main power is off.</li> <li>4. Allow a 24-hour "breaking-in" period. Most noise associated with a new fan disappear during this time.</li> <li>5. If using an optional light kit, make sure the screws securing the glassware are tight. Make sure the light bulbs are not touching any other component.</li> <li>6. Do not connect this fan to wall mounted variable speed control(s). they are not compatible with ceiling fan motors or remote controls.</li> <li>7. Make sure the upper canopy is a short distance from the ceiling. It should not touch the ceiling.</li> </ol>
Fan wobble.	<ol style="list-style-type: none"> <li>1. Check that all blade and blade arm screws are secure.</li> <li>2. Most fan wobbling problems are caused when blade levels are unequal. Check this level by selecting a point on the ceiling above the tip of one of the blades. Measure this distance. Rotate the fan until the next blade is positioned for measurement. Repeat for each blade. The distance deviation should be equal within 1/8".</li> <li>3. Use the enclosed Blade Balancing Kit if the blade wobble is still noticeable.</li> <li>4. If the blade wobble is still noticeable, interchanging two adjacent (side by side) blades can redistribute the weight and possibly result in smoother operation.</li> </ol>
Remote control malfunction.	<ol style="list-style-type: none"> <li>1. Ceiling Fans with remote control systems CAN NOT be operated in conjunction with any other control system EXCEPT a basic On/Off wall switch, if desired.</li> </ol>

## 18. SPECIFICATIONS

Fan Size	Speed	Volts	Amps	Watts	RPM	CFM	CFM/W	N.W.	G.W.	C.F.
52"	Extra-High	120	0.54	31.0	159	5251.97	169.42	8.34 kgs	9.91 kgs	2.45'
	High	120	0.35	21.0	139	4572.24	217.73			
	Medium High	120	0.23	14.0	116	3861.97	275.86			
	Medium	120	0.14	9.0	94	3086.37	342.93			
	Medium Low	120	0.08	6.0	72	2281.74	380.29			
	Low	120	0.05	4.0	49	1564.99	391.25			

These are approximate measurements. They do not include data for any lamps or fixtures attached to the ceiling fan.