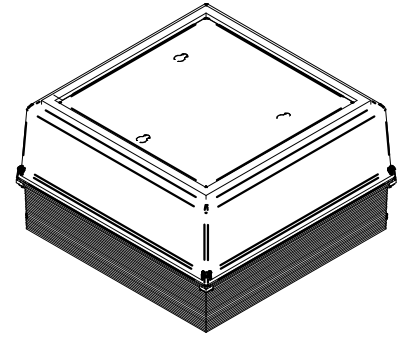


INSTALLATION INSTRUCTIONS - NRG4-30LED

SAVE THESE INSTRUCTIONS



INSTALLATION INSTRUCTIONS NRG4-30LED



READ THOROUGHLY BEFORE INSTALATION

WARNING! Fixtures must be grounded and installed in accordance with the National Electrical Code and all local codes. Failure to do so may increase the **RISK OF PERSONAL INJURY, PROPERTY DAMAGE, FIRE AND DEATH**. Install and use so fixture failures do not cause a hazard and use only in environments for which the product is specifically marked.

WARNING! This product contains chemicals known to the State of California to cause cancer, birth defects, and/or other reproductive harm. Thoroughly wash hands after installing, handling, cleaning, or otherwise touching this product.

CAUTION! Follow ALL luminaire recommendations, product markings, instructions, restrictions and warnings regarding luminaire operation and burning position. Luminaire label shows electrical and environmental requirements and restrictions.

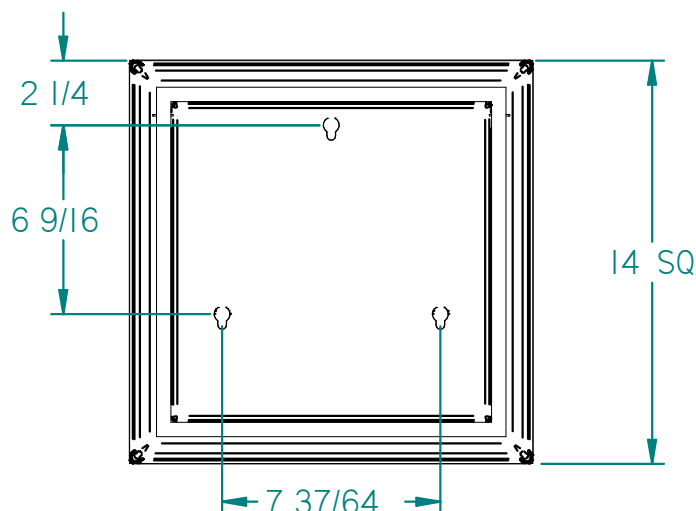
All electrical work must be done by a qualified electrician.

Turn off electric power to all affected circuits and allow to cool before servicing.

A regularly scheduled maintenance program should be established to retain optimum light output and reduce heat retention. Dusting with a soft, clean, dry cloth is normally sufficient for the optical system. Any accumulation of dust or dirt should be removed regularly.

Carefully read these instructions before installing product. If you do not understand these instructions, before starting any work, contact your Hubbell Lighting distributor or techsupport@hubbell-ltg.com or (864) 678-1000

Give instructions to facility owner/manager for future reference.



NOTE:

This luminaire is designed for outdoor lighting applications with ambient temperatures not exceeding 40°C

WARNINGS:

Dangerous voltage exist within the unit and all precautions usually observed in handling high voltage equipment should be observed when replacing light engine or otherwise servicing luminaires. Disregarding this warning could result in electrical shock and possible injury to the individual installing or servicing this equipment. Installation and servicing should be done by qualified personnel.

93048692 Rev. A

INSTALLATION INSTRUCTIONS - NRG4-30LED

SAVE THESE INSTRUCTIONS

WARNING: To reduce fire and shock hazard: Disconnect power before servicing; Install and maintain to meet applicable codes; Insure fixture and wiring are properly grounded.

This luminaire is designed for canopy/ceiling mounting over a four inch junction box or feed-through wiring.

Read all instructions, electrical data markers, and warning labels before installing this luminaire. File this instruction sheet for future reference.

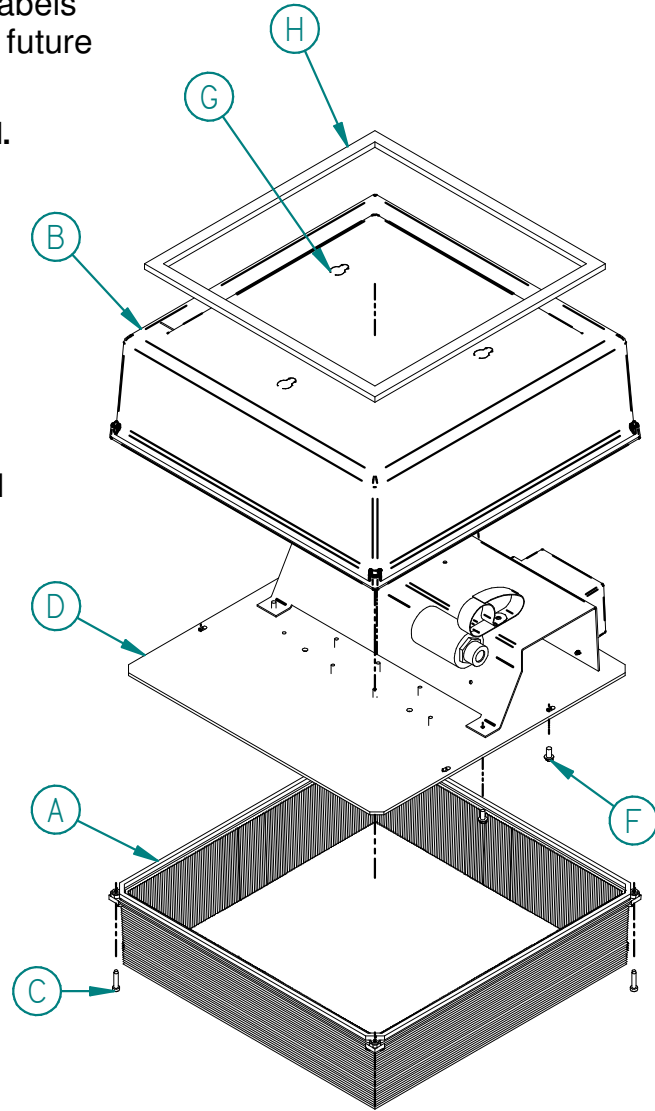
APPLY GASKET (H) TO HOUSING (B) PRIOR TO INSTALLATION.

CEILING FIXTURE - JUNCTION BOX MOUNTING:

1. Remove refractor (A) from housing (B) by removing (4) corner screws (C). Remove reflector/driver assembly (D) from housing (E) by removing the (2) reflector mounting screws (F). Set refractor, reflector, and mounting screws aside.
2. Install housing (B) to the ceiling using the (3) holes (G) provided on top of housing. (Hardware by others).
3. Connect the driver wire connector to the supply leads in accordance with the local and national electrical code. Push all the connections inside the junction box.
4. Route wires through opening in collar and place wiring cover over wire entry and tighten screws.
5. Replace reflector/driver assembly (D). Tighten screws.
6. Replace refractor (A). Hand tighten the corner screws (C).

CEILING FIXTURE - THROUGH WIRING:

1. Remove refractor (A) from housing (B) by removing (4) corner screws (C). Remove reflector/driver assembly (D) from housing (B) by removing the (2) reflector mounting screws (F). Set refractor, reflector, and mounting screws aside.
2. Remove conduit plugs from housing (B).
3. Install housing (B) to the ceiling using the (3) holes (G) provided on top of housing. (Hardware by others).
4. Engage supply conduit to the threaded hubs (conduit plug holes).
5. Connect the driver wire connector to the supply leads in accordance with the local and national electrical code. Push all the connections inside the junction box.
6. Place wiring cover over wire entry and tighten screws.
7. Replace reflector/driver assembly (D). Tighten screws.
8. Replace refractor (A). Hand tighten the corner screws (C).



WIRING

NOTE: This LED unit is supplied with an electronic driver having universal voltage adaptability and can accept input voltage within the range of 120V - 277V. Attach incoming line leads to the connectors as shown on the wiring diagram.

NOTES:

No User Serviceable parts please contact Hubbell Lighting for any replacement parts. Contact your local distributor or agent to confirm parts availability prior to ordering replacement parts.