

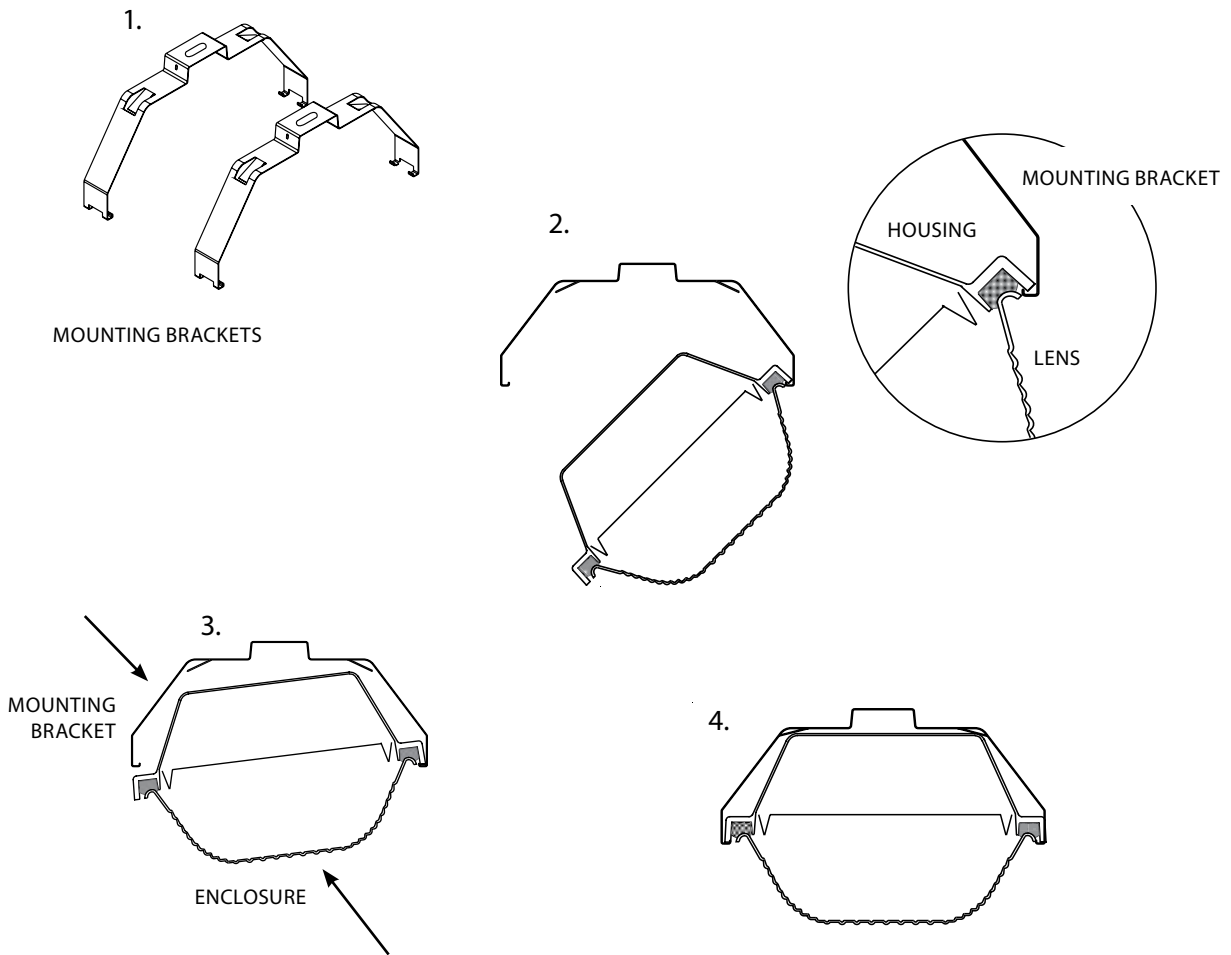
**LXEM, XEM, XEP INSTALLATION: SURFACE MOUNT BRACKETS**

*Columbia Lighting products are intended solely for installation by licensed electricians.*

**LINE DRAWING**

**TYPICAL. DOES NOT REPRESENT ALL POSSIBLE PRODUCT CONFIGURATIONS.**

*Information shown applies to XEM (fluorescent), LXEM (LED), and XEP (fluorescent) products.*



1. Securely attach mounting brackets (2) to mounting surface. The enclosure will engage the mounting brackets at any point along its length, except for where there are latches. It is recommended that the dimension between brackets equal about 60% of the enclosure's length.
2. Insert one side of the housing into the mounting brackets.
3. Push up on the enclosure and then press in on the mounting bracket until the mounting bracket clicks into place.
4. Verify that the enclosure is fully supported before connecting to a power supply.

Above depiction is for typical only and may not represent exact housing or bracket styles in field. Subject to change without notice. All products must be installed in accordance with state, local, and national codes; code compliance is by others.

**LXEM, XEM INSTALLATION: PENDANT MOUNT, CHAIN HANGER**

*Columbia Lighting products are intended solely for installation by licensed electricians.*

**LINE DRAWING**

**TYPICAL. DOES NOT REPRESENT ALL POSSIBLE PRODUCT CONFIGURATIONS.**

*Information shown applies to XEM (fluorescent), LXEM (LED), and XEP (fluorescent) products.*

**XEDPM Dual Pendant Mount Option**

*Order as an option by placing XEDPM at the end of the XEM, LXEM, or XEP catalog number.*

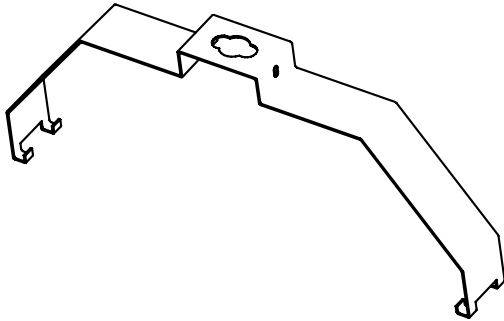
Option consists of two pendant brackets shipped with fixture. Note center hole in bracket (Figure A) at bracket center is shaped to allow interface with 3/8" OD threaded rod (by others). For example of installed threaded rod, see Figure B. XEDPM brackets must be ordered as an option and are not provided standard. Standard surface mount bracket will not accept pendant mounting.

**XEHC Chain Hanger Accessory**

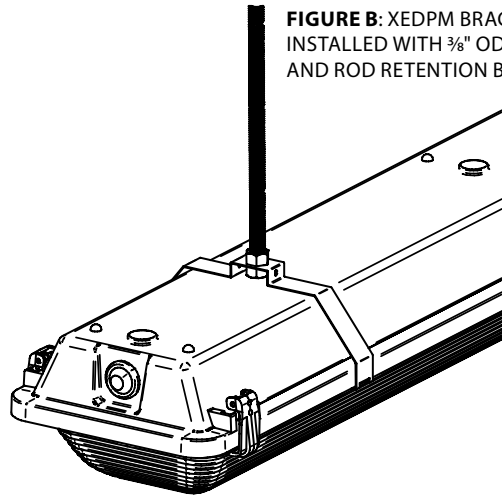
*Order as an accessory on a separate line item of the purchase order.*

Kit consists of (2) 14" chain lengths and (2) open based triangular bails. Chain is threaded onto bail. Bail is then placed into holes provided in mounting bracket (see Figure C for example). XEHC Chain Hanger is not provided standard. It must be ordered as an accessory. XEHC will interface with both the standard surface mount bracket and the XEDPM dual pendant mount bracket.

**FIGURE A: XEDPM DUAL PENDANT MOUNT BRACKET**



**FIGURE B: XEDPM BRACKET INSTALLED WITH 3/8" OD ROD AND ROD RETENTION BY OTHERS**



**FIGURE C: XEHC INSTALLED ON STANDARD SURFACE MOUNT BRACKET**

