

LED



create**change**



FEATURES

- Full distribution LED troffer
- Direct replacement of fluorescent 1x4
- Long-life, 60,000 hour LEDs at L80 reduce life cycle maintenance costs
- Four LED color choices and 80 CRI
- Many shielding choices
- Two door frame choices
- Metal to metal light leak protection on all four sides of shielding frame
- Fixed output, step dimming (high/low/off), 0-10V dimming, 0-10V dimming-dim to dark drivers available
- Hinged optical system allows easy access to LED modules and electrical from below the ceiling
- All models standard with IC rating
- DesignLights Consortium® (DLC) qualified with many configurations qualifying for DLC Premium; see www.designlights.org
- Five year warranty

PROJECT INFORMATION

Project Name _____

Type _____

Catalog No. _____

Date _____

CONSTRUCTION

Luminaire housing and end caps are die-formed code-gauge cold-rolled steel. Optical system hinges from either side for easy access to LED module and electrical components.

CEILING COMPATIBILITY

Designed for recessed installation in standard inverted tee grid ceilings (G). Four integral T-bar clips standard. Also available for recessed installation in hard ceilings (G with FK accessory), surface mount at ceiling plane (SM), or cable mount suspension below ceiling plane (CM). For compatibility with specific ceilings contact your Hubbell Lighting representative.

FINISH

All metal parts processed with a multi-stage phosphate bonding treatment and finished with a high reflectance baked white enamel.

SHIELDING

Lens is high transmission pattern #12 acrylic (A12) for light diffusion without compromise to light output. Other shielding may be specified. If desired shielding media is not shown in ordering guide, contact your local Hubbell Lighting representative.

CERTIFICATION

All luminaires are built to UL 1598 and 2108 standards, and bear appropriate CSA labels. Damp location labeling is standard. Emergency equipped fixtures labeled UL924. Adheres to LM79, LM80 and TM21 industry standards. IC rating is standard on all models. DesignLights Consortium® (DLC) and DLC Premium qualified. Please refer to the DLC website for specific product qualifications at www.designlights.org.

INSTALLATION

An access plate is furnished with each recessed fixture for fast wiring connections without the necessity to open the fixture or wireway.

WARRANTY

Five year warranty. (Terms and Conditions Apply)

ORDERING INFORMATION

EXAMPLE LJT14-35MLG-FSA12-EU

LJT 14 -						U -	
MODEL	COLOR TEMP	CEILING TYPE	SHIELDING	DRIVER	VOLTAGE	OPTIONS	
LJT LED Lensed Troffer	30 3000K 35 3500K 40 4000K 50 5000K	G Grid ¹ SM Surface Mount CM Cable Mount ²	A12 Pattern 12 Acrylic Lens A12125 Pattern 12 Acrylic Lens, 0.125" Nominal A12F Pattern 12 Frosted Acrylic Lens A12125F Pattern 12 Frosted Acrylic Lens, 0.125" Nominal A19 Pattern 19 Acrylic Lens, 0.156" Nominal A19F Pattern 19 Frosted Acrylic Lens 0.156"	E Fixed Output ESD Step Dimming ED 0-10V Dimming ED1 0-10V 1% Dimming EDD 0-10V Dimming, Dim to Dark ³ LUTH Hi-lume 1% EcoSystem LED driver with Soft-on, Fade-to-Black dimming technology ⁴ LUT5 5-Series EcoSystem LED driver ⁴	U 120V-277V	C388 3-Wire Flex C488 4-Wire Flex C588 5-Wire Flex ELL14 Emergency Battery Pack Installed, 1400 Lumens ^{4,5} GLR Fast Blow Fuse G1 Single Gasketing (Door to Housing) G2 Double Gasketing (G1 and Lens to Door) G3 Triple Gasketing (G2 and Housing to Ceiling) CP Chicago Plenum	
SIZE	LUMEN OUTPUT	DOOR					
14 1' x 4'	XW Extra Low Watt VW Very Low Watt MW Medium Low Watt LW Low Watt ML Medium Lumen HL High Lumen VL Very High Lumen	FS White Flush Steel FA White Flush Aluminum					

See Product Availability Table Below

GTD Not Available

DRIVER AVAILABILITY TABLE

	XW	VW	MW	LW	ML	HL	VL
E	X	X	X	X	X	X	X
ESD			X	X	X	X	X
ED	X	X	X	X	X	X	X
ED1	X	X	X	X	X	X	X
EDD	X	X	X	X	X	X	X
LUTH	X	X	X	X	X	X	X
LUT5	X	X	X	X	X	X	X

ACCESSORIES (ORDER SEPARATELY)

- FK14** 1' x 4' Single Flange Kit
- CM48Y15C3F-KIT** 48" Cable Mount Kit for 1' wide Cable Mount Fixtures, 3-Wire

¹ For hard ceilings use flange kit accessory.
² Order hanger accessories separately.
³ 50 watt and below
⁴ For compatibility with Dual-Lite LiteGear® inverters in lieu of installed battery pack, contact Hubbell Lighting Representative.
⁵ Not available with Surface Mount.
 Damp label—standard.
 IC rating—standard.

Product Availability			
Lumen Package	Lumens	Input Watts	LPW
LJT14-50XWG-FSA12-EU	2568	20	127
LJT14-40XWG-FSA12-EU	2358	20	116
LJT14-35XWG-FSA12-EU	2322	20	114
LJT14-30XWG-FSA12-EU	2255	20	111
LJT14-50VWG-FSA12-EU	3232	27	121
LJT14-40VWG-FSA12-EU	2968	27	111
LJT14-35VWG-FSA12-EU	2923	27	109
LJT14-30VWG-FSA12-EU	2838	27	106
LJT14-50MWG-FSA12-EU	3794	31	124
LJT14-40MWG-FSA12-EU	3484	31	114
LJT14-35MWG-FSA12-EU	3430	31	112
LJT14-30MWG-FSA12-EU	3331	31	109
LJT14-50LWG-FSA12-EU	4164	34	122
LJT14-40LWG-FSA12-EU	3824	34	112
LJT14-35LWG-FSA12-EU	3766	34	110
LJT14-30LWG-FSA12-EU	3656	34	107
LJT14-50MLG-FSA12-EU	4598	38	120
LJT14-40MLG-FSA12-EU	4222	38	111
LJT14-35MLG-FSA12-EU	4158	38	109
LJT14-30MLG-FSA12-EU	4037	38	106
LJT14-50HLG-FSA12-EU	5264	45	117
LJT14-40HLG-FSA12-EU	4834	45	107
LJT14-35HLG-FSA12-EU	4761	45	106
LJT14-30HLG-FSA12-EU	4622	45	102
LJT14-50VLG-FSA12-EU	7179	59	122
LJT14-40VLG-FSA12-EU	6593	59	112
LJT14-35VLG-FSA12-EU	6492	59	110
LJT14-30VLG-FSA12-EU	6303	59	107

PHOTOMETRIC DATA

Test 16360 Test Date 07/08/2016

LUMINAIRE DATA

Luminaire	LJT14-40LWG-FSA12-EU LJT LED, Lensed Troffer 1' X 4' LED with A12 pattern acrylic prisms lens
Ballast	XI040C110V054BST1
Ballast Factor	1.00
Lamp	LED
Fixture Lumens	3824
Watts	34.20
Mounting	Recessed
Shielding Angle	0° = 90 90° = 90
Spacing Criterion	0° = 1.18 90° = 1.11
Luminous Opening in feet	Length: 3.92 Width: 0.83 Height: 0.00

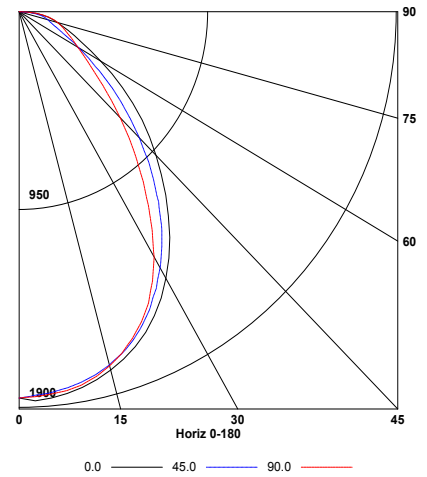
ENERGY DATA

Total Luminaire Efficiency	100.0%
Total Lumens per Watt	112
ANSI/IESNA RP-1-2004 Compliance	NONCOMPLIANT
Comparative Yearly Lighting Energy Cost per 1000 Lumens	\$2.14 based on 3000 hrs. and \$0.08 per KWH

ZONAL LUMEN SUMMARY

Zone	Lumens	%Lamp	%Fixt.
0-30	1393	36.4	36.4
0-40	2165	56.6	56.6
0-60	3282	85.8	85.8
0-90	3824	100.0	100.0
0-180	3824	100.0	100.0

INDOOR CANDELA PLOT



Test 16363 Test Date 07/08/2016

LUMINAIRE DATA

Luminaire	LJT14-40MLG-FSA12-EU LJT LED, Lensed Troffer 1' X 4' LED with A12 pattern acrylic prisms lens
Ballast	XI054C150V054BST1
Ballast Factor	1.00
Lamp	LED
Fixture Lumens	4223
Watts	38.20
Mounting	Recessed
Shielding Angle	0° = 90 90° = 90
Spacing Criterion	0° = 1.19 90° = 1.11
Luminous Opening in feet	Length: 3.92 Width: 0.83 Height: 0.00

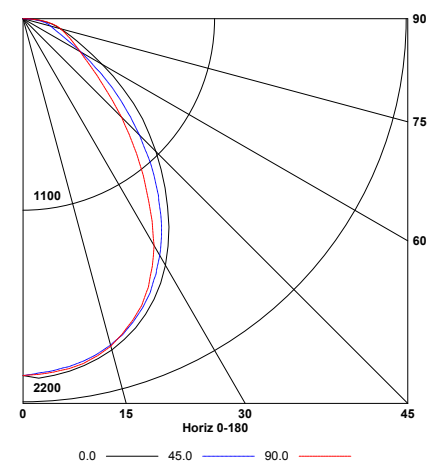
ENERGY DATA

Total Luminaire Efficiency	100.0%
Total Lumens per Watt	111
ANSI/IESNA RP-1-2004 Compliance	Noncompliant
Comparative Yearly Lighting Energy Cost per 1000 Lumens	\$2.16 based on 3000 hrs. and \$0.08 per KWH

ZONAL LUMEN SUMMARY

Zone	Lumens	%Lamp	%Fixt.
0-30	1538	36.4	36.4
0-40	2389	56.6	56.6
0-60	3623	85.8	85.8
0-90	4223	100.0	100.0
0-180	4223	100.0	100.0

INDOOR CANDELA PLOT



Test 16366 Test Date 06/23/2016

LUMINAIRE DATA

Luminaire	LJT14-40HLG-FSA12-EU LJT LED, Lensed Troffer 1' X 4' LED with A12 pattern acrylic prisms lens
Ballast	XI054C150V054BST1
Ballast Factor	1.00
Lamp	LED
Fixture Lumens	4834
Watts	45.10
Mounting	Recessed
Shielding Angle	0° = 90 90° = 90
Spacing Criterion	0° = 1.19 90° = 1.10
Luminous Opening in feet	Length: 4.00 Width: 0.83 Height: 0.00

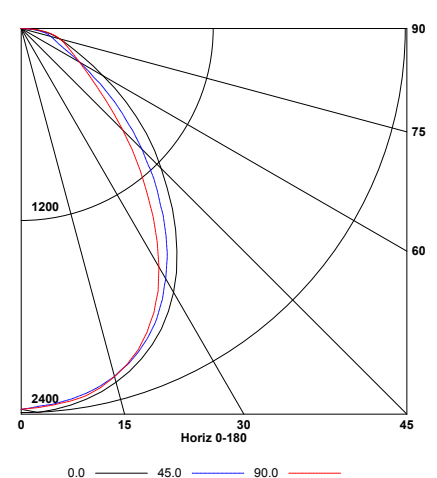
ENERGY DATA

Total Luminaire Efficiency	100.0%
Total Lumens per Watt	107
ANSI/IESNA RP-1-2004 Compliance	Noncompliant
Comparative Yearly Lighting Energy Cost per 1000 Lumens	\$2. based on 3000 hrs. and \$0.08 per KWH

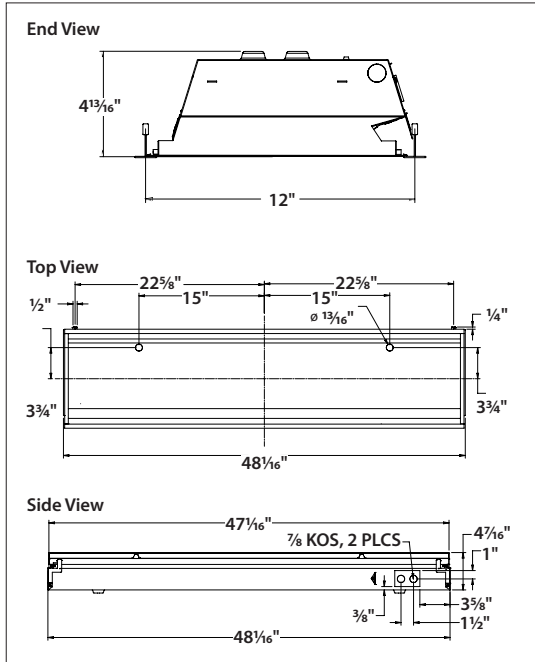
ZONAL LUMEN SUMMARY

Zone	Lumens	%Lamp	%Fixt.
0-30	1784	36.9	36.9
0-40	2764	57.2	57.2
0-60	4159	86.0	86.0
0-90	4834	100.0	100.0
0-180	4834	100.0	100.0

INDOOR CANDELA PLOT



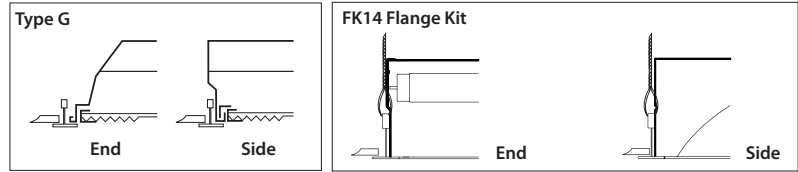
DIMENSIONAL DATA



A: 7/8" Diameter knockout
 K: 2" x 3" through hole for access plate.

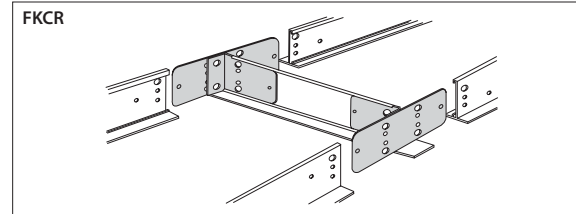
NOTE: All dimensions are in inches; dimensions and specifications are subject to change without notice. Please consult factory or check sample for verification.

CEILING COMPATIBILITY



For lay-in installation in exposed grid ceilings. Maximum tee widths of 1" and maximum tee heights of 2" allowed.

For hard ceiling applications, order FK14 flange kit. Flange kit wires directly into concealed ceiling opening for a clean, finished appearance.

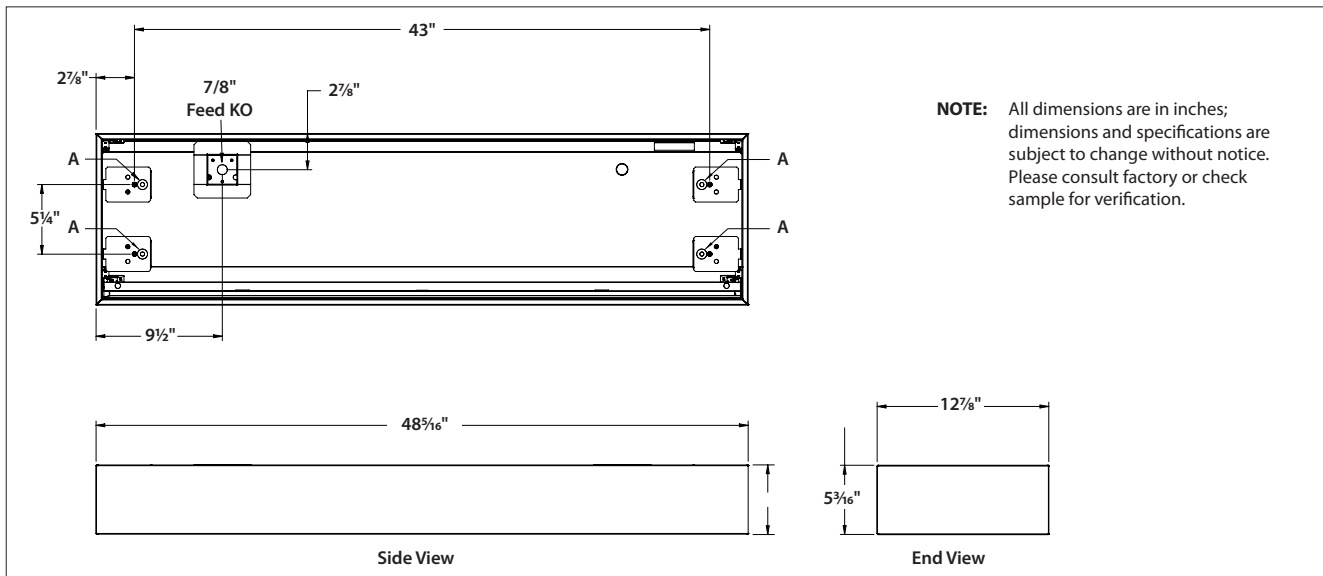


For flanged fixtures in row configurations, the FKCR adapter bracket kit is required in addition to the FK14 kit. Order one less FKCR than the total number of fixtures in row. (Example: Row of two, order (2) FK14 & (1) FKCR)

Row cut out dimensions using FK14s & FKCR adapters:
 Width 12 3/8", Length [48" x (# in row)] + 3/8". Example: (48" x 2) + 3/8" = 96 3/8"

Flange kit rough in dimensions for single unit only: 12 3/8" x 48 3/8"

DIMENSIONAL DATA - SURFACE MOUNT (SM) AND CABLE MOUNT (CM)



NOTE: All dimensions are in inches; dimensions and specifications are subject to change without notice. Please consult factory or check sample for verification.

SURFACE MOUNT

Order SM ceiling type. Mounting collar required for surface mounting. (4) Mounting knock-outs, 1/4" to 1/2" provided as shown, marked "A".

CABLE MOUNT

Order CM ceiling type. Access plate supplied for cable mounting or suspension. Use CM48Y1 C3F-KIT 48" cable mount kit. Includes 3 wire feed cord. For other wiring needs, contact Hubbell Lighting representative. Mounting knock-outs, 1/4" to 1/2" provided as shown, marked "A".