



## New Construction

# DBXQL

QuickLink LED Downlight

AirShield™  
IC/Non-IC Rated  
120V



DATE: \_\_\_\_\_ TYPE: \_\_\_\_\_

FIRM NAME: \_\_\_\_\_

PROJECT: \_\_\_\_\_

## LiteBox 6"

Aperture: Nominal 6"

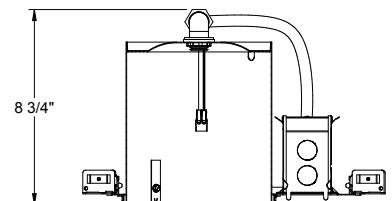
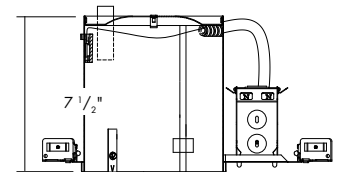
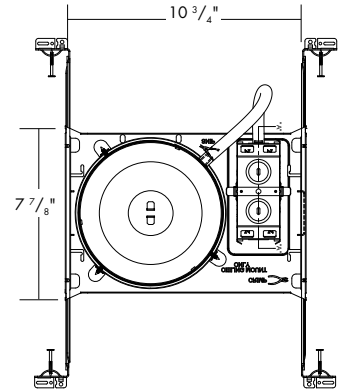
Ceiling Cutout: 6<sup>7</sup>/<sub>8</sub>"

Maximum Ceiling Thickness: 1<sup>1</sup>/<sub>2</sub>"

For conversion to millimeters,  
multiply inches by 25.4

Not to Scale

### FEATURING



DBXQL-CP

### APPLICATIONS:

The DBXQL QuickLink LED housing is specifically designed for use with 6" LiteBox LED trims in applications where relamping is limited to high efficacy requirements such as California Title 24. Suitable for new construction, whether or not insulation is present, including residential applications in a single story home or on the second level of a two story home; or commercial applications in spaces such as offices, single story retail, and hospitality environments. The DBXQL complies with requirements for AirShield™ applications.

### AIR TIGHT REQUIREMENTS:

The DBXQL is AirShield™ rated in compliance with ASTM E283 and the Washington State Energy Code (W.S.E.C.).

### HOUSING:

Galvanized steel housing with full wrap-around plaster frame. Housing adjusts from 1/2" to 1 1/2" thick ceilings. Notched mounting frame for easy alignment. Housing includes knock out free integral Romex clamps, overspray protection, universal J-box with snap-out sides, universal J-box with snap-out sides, 1/2" and 3/4" knock outs for rigid or BX fittings and a grounding pigtail. Removable K.O. for remodel use (plaster flange clips required). Rated for 8 #12 90° conductors (4 in/4 out). Removable housing for field inspection of wiring. Pre-installed wire quick connects for supply connections standard.

### HOUSING INSTALLATION:

Pro-Nail™ bar hangers with integral real nail compatible with common joist systems and materials. Joist alignment tab for rapid and consistent positioning and convenient nail removal features for easy re-positioning. Integral snap-on T-bar grip-lock feature and rigid 24" telescoping bar hanger design. Auxiliary mounting points for additional fasteners or wire suspension to structure. Bar hangers are captive with positive extension stop and locking feature to fix position, and can be reoriented 90° to housing.

### LED MODULE INSTALLATION:

QuickLink LED housing easily connects to mating QuickLink connector on the LiteBox LB6LED module without a screw base adapter preventing the use of low efficacy incandescent sources.

### LABELS:

IC and Non-IC rated. UL/cUL listed for wet location and through wiring with LiteBox LED module. AirShield™ rated. WSEC compliant. Facilitates California Title 24 compliance with the LB6LED series LED downlight.



DBXQL must be used with LB6LED series trims. Refer to LB6LEDA spec sheets for details.

CATALOG NUMBER:

EXAMPLE: DBXQL-LB6LEDA30K WH

HOUSING		HOUSING OPTIONS	TRIM	OUTPUT	LED COLOR TEMP	CRI	TRIM COLOR
<input type="checkbox"/> <b>DBXQL</b>	6" LED QuickLink housing	<input type="checkbox"/> <b>CP</b> Chicago Plenum	<input type="checkbox"/> <b>LB6A</b> 6" LiteBox Downlight LED Module with dimming to 10% 120V	<input type="checkbox"/> <b>7L</b> 700 Lumens	<input type="checkbox"/> <b>27K</b> 2700 Kelvin	<input type="checkbox"/> <b>Blank<sup>2</sup></b> 80+ CRI	<input type="checkbox"/> <b>WH</b> White
			<input type="checkbox"/> <b>LBEB6A<sup>3</sup></b> 6" LiteBox Adjustable LED Module with dimming to 10% 120V	<input type="checkbox"/> <b>10L<sup>2</sup></b> 1000 Lumens	<input type="checkbox"/> <b>30K</b> 3000 Kelvin	<input type="checkbox"/> <b>9</b> 90+ CRI	<input type="checkbox"/> <b>BL<sup>2</sup></b> Black
			<input type="checkbox"/> <b>LB6LEDA</b> LED QuickLink Trim		<input type="checkbox"/> <b>35K</b> 3500 Kelvin		<input type="checkbox"/> <b>Z<sup>2</sup></b> Zet
					<input type="checkbox"/> <b>40K<sup>1</sup></b> 4000 Kelvin		<input type="checkbox"/> <b>BZ<sup>2</sup></b> Bronze

<sup>1</sup> Not available with LBEB6  
<sup>2</sup> Only available on the LB6LEDA  
<sup>3</sup> Damp location only



In a continuing effort to offer the best product possible we reserve the right to change, without notice, specifications or materials that in our opinion will not alter the function of the product.

Web: [www.prescolite.com](http://www.prescolite.com) • Tech Support: (888) 777-4832

701 Millennium Boulevard • Greenville, SC 29607 U.S.A. • Phone (864) 678-1000

Copyright ©2017 Prescolite, Inc., a division of Hubbell Lighting, Inc. All Rights Reserved

Specifications subject to change without notice. • Printed in U.S.A. • LB-LED-002 • 9/13/17

**LB-LED-002-NEW**