

**DESCRIPTION**

The CIR Series offers quality and value with a compact and attractive LED based remote emergency light. The white base-plate and lamp-heads are made of high impact UL flame rated thermoplastic. Lamp-heads are fully adjustable and glare-free. The remote lamps are driven by the Compass remote capacity Exit, Combo or Emergency Light.

**APPLICATION**

The CIR Series can be applied in stair-wells, hallways, offices and other commercial applications.

**COMPLIANCES**

UL924 Damp Listed  
NFPA 101 and NFPA 70  
OSHA

**WARRANTY**

2 year full unit warranty



**FEATURES**

- Single or Double lamp-head remote with base-plate
- LED life-cycle of more than 10 years
- Quick installation
- Dual-voltage 120 or 277V AC input
- Damp Location Listed
- Fully adjustable lamp-heads

**ORDERING GUIDE**

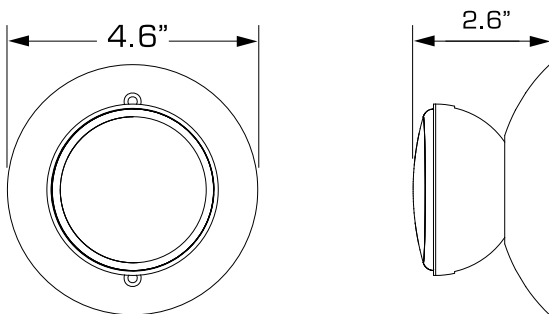
Catalog Number	Description	Voltage	Lamp Watts (Each)
<b>CIRS</b>	Single LED remote lamp-head with mounting base	3 VDC	1 Watt
<b>CIRD</b>	Double LED remote lamp-head with mounting base	3 VDC	1 Watt

\*Powered by the Compass Exit, Combo or Emergency Light with Remote Capacity

**ACCESSORIES**

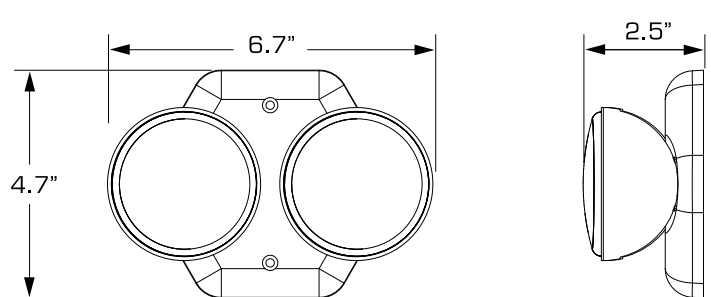
WGLZ Wireguard - 6.25" H X 14" W X 4" D

**DIMENSIONS**



**CIRS**

**Single Remote Carton Weight:** 1 lbs.  
**Master Carton Quantity:** 20 each



**CIRD**

**Double Remote Carton Weight:** 1.2 lbs.  
**Master Carton Quantity:** 20 each