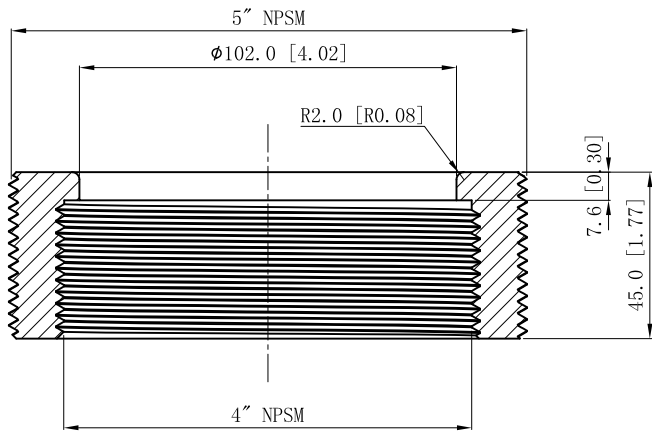
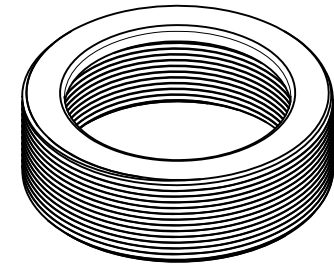
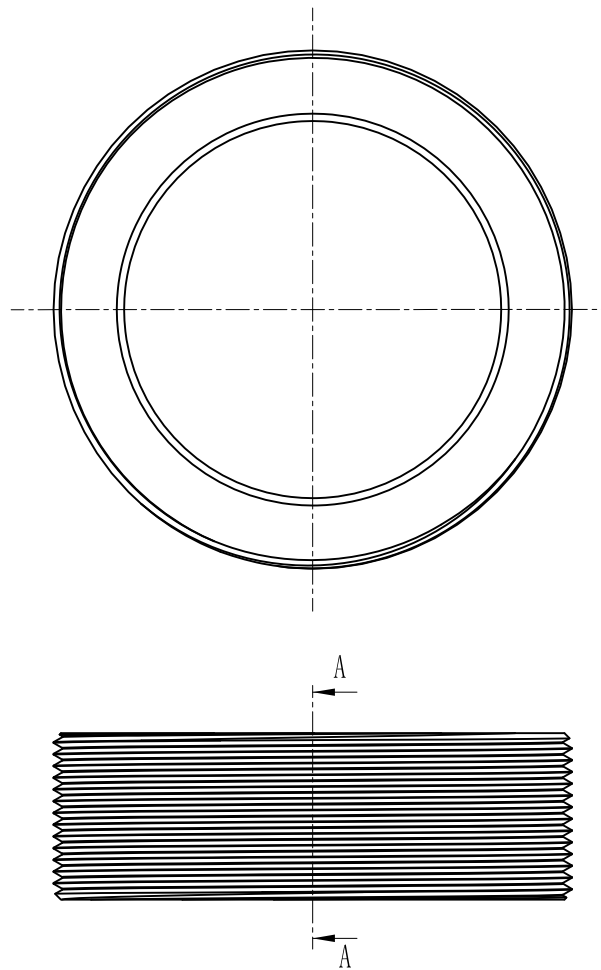


| | |
|------------------------------------------|--------|
| SIDES | BOTTOM |
| | |
| | |
| | |
| Material: Steel-(C1008-1018) Zinc Plated | |



CUTAWAY VIEW A-A



| |
|-----------------------|
| DESCRIPTION |
| |
| |
| TRADE REFERENCE TERMS |
| |

This data sheet is for reference only .GARVIN INDUSTRIES reserves the right to make changes to the design without prior notice.

| | | | |
|------------------|--------------------------------------------------------------------------------------------------------------------|-----------|-----|
| STANDARD PACKING | <h1 style="text-align: center;">GARVIN INDUSTRIES</h1> <h2 style="text-align: center;">STEEL REDUCING BUSHING</h2> | | |
| 1 PCS | | | |
| | TITLE | | |
| | SIZE | DWG NO. | REV |
| | A4 | RB-500400 | |
| | DATA SHEET | | |