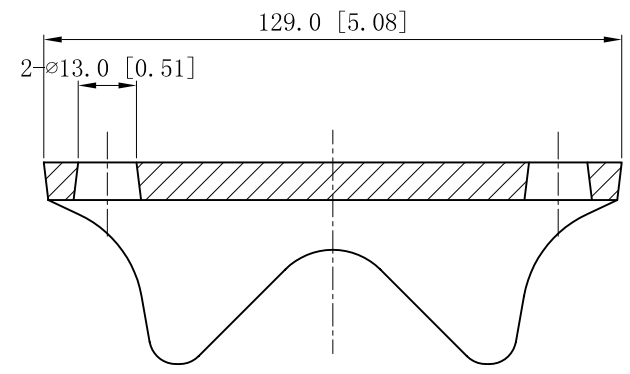
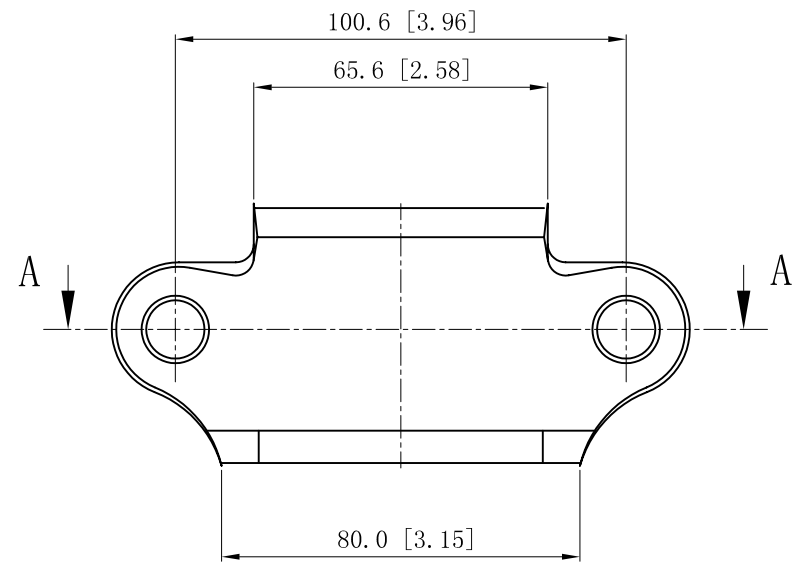
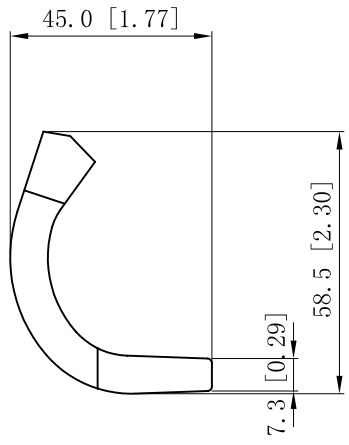
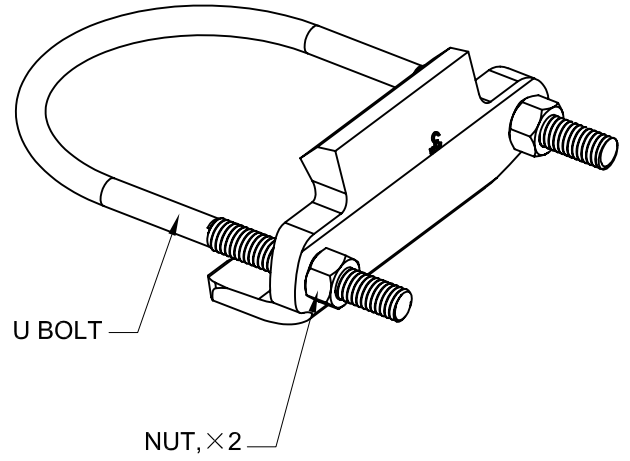


SIDES	BOTTOM
3" U bolt install, Finish: hot dip galvanizing	
2pcs #3/8-16 hexed nut install	
Material: Malleable Iron, Finish: hot dip galvanizing	



CUTAWAY VIEW A-A



This data sheet is for reference only .GARVIN INDUSTRIES reserves the right to make changes to the design without prior notice.

DESCRIPTION
TRADE REFERENCE TERMS

STANDARD PACKING
10 PCS

<b>GARVIN INDUSTRIES</b>		
TITLE RIGHT ANGLE CONDUIT CLAMP		
SIZE A4	DWG NO. RA300	REV
DATA SHEET		