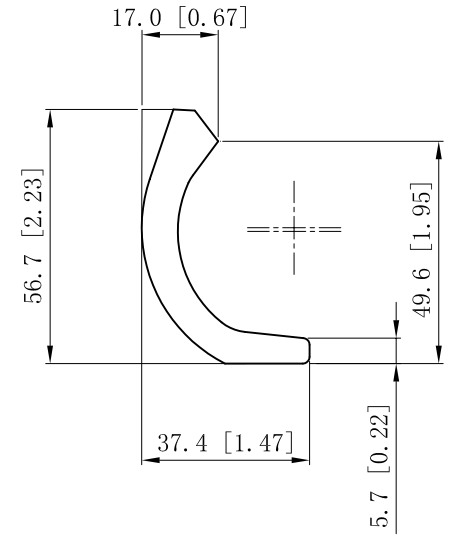
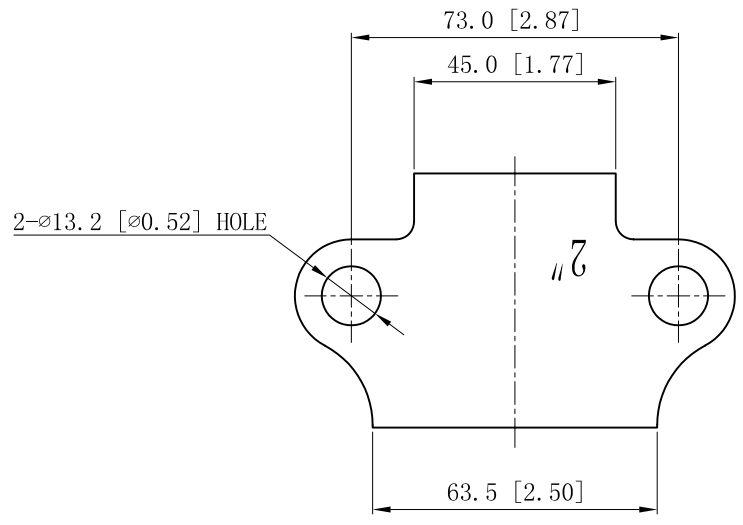
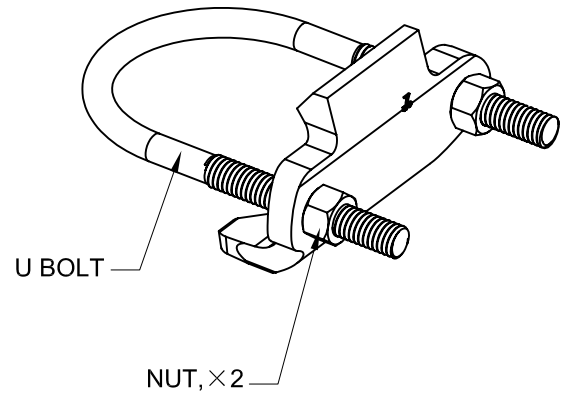
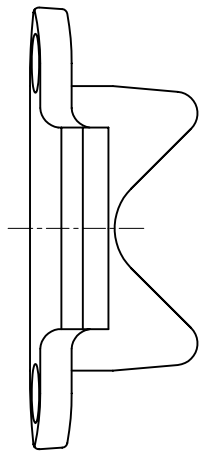


SIDES	BOTTOM
2" U bolt install, Finish: hot dip galvanizing	
2pcs #3/8-16 hexed nut install	
Material: Malleable Iron, Finish: hot dip galvanizing	



DESCRIPTION
TRADE REFERENCE TERMS

This data sheet is for reference only .GARVIN INDUSTRIES reserves the right to make changes to the design without prior notice.

STANDARD PACKING	<h1 style="text-align: center;">GARVIN INDUSTRIES</h1> <h2 style="text-align: center;">RIGHT ANGLE CONDUIT CLAMP</h2>		
10 PCS			
	TITLE	DWG NO.	REV
	A4	RA200	
	DATA SHEET		