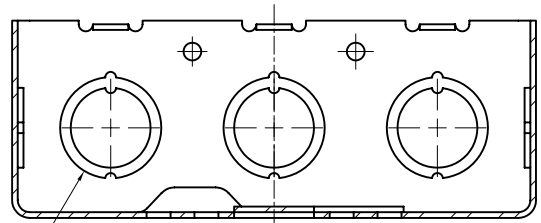
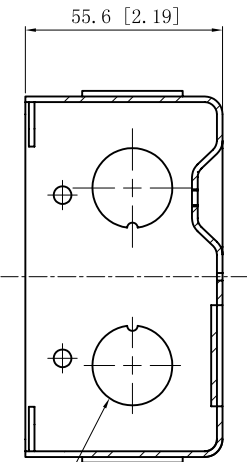
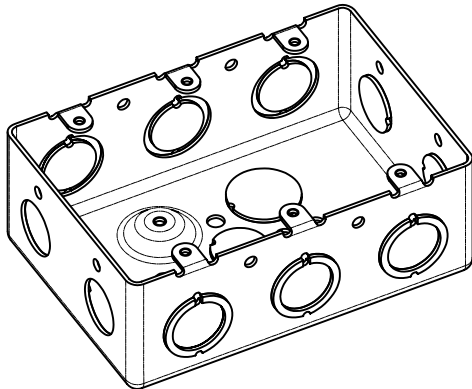


SIDES	BOTTOM
4 1/2" KNOCKOUTS	4 1/2" KNOCKOUTS
6 1/2"-3/4" MOON KNOCKOUTS	2 3/4" KNOCKOUTS
	1 Groud Hump
Material:Steel-0.0625"-G60 Galvanized	



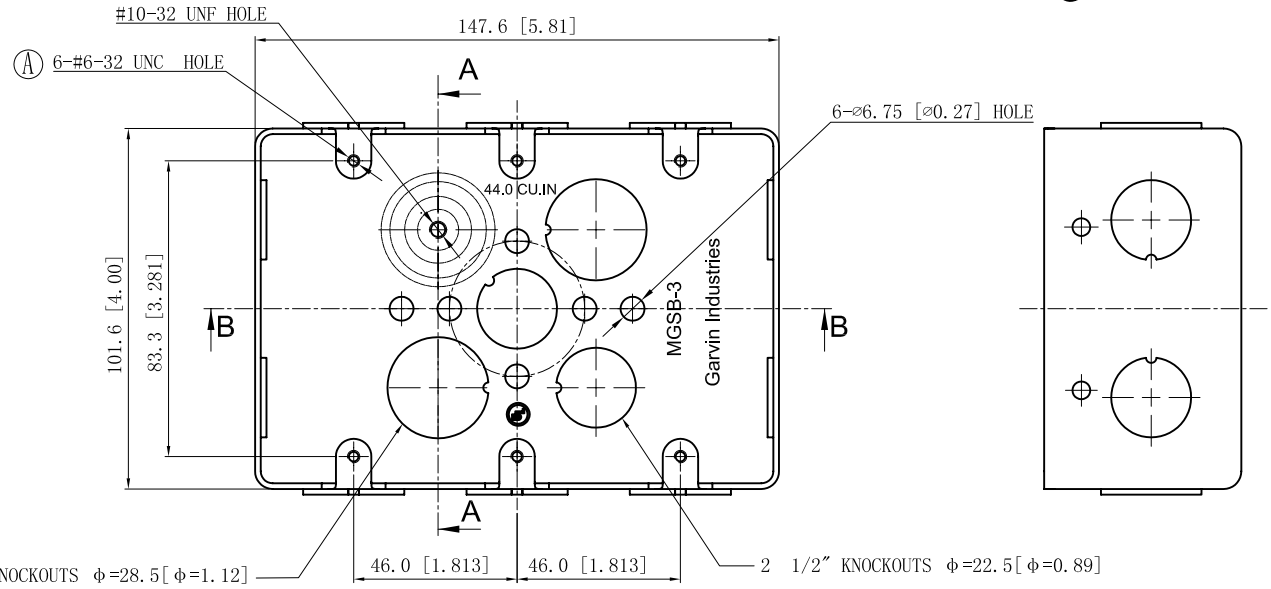
CUTAWAY VIEW B-B

6 1/2"-3/4" MOON KNOCKOUTS $\phi=22.5$ [$\phi=0.89$]
 $\phi=28.5$ [$\phi=1.12$]



4 1/2" KNOCKOUTS $\phi=22.5$ [$\phi=0.89$]

CUTAWAY VIEW A-A



2 3/4" KNOCKOUTS $\phi=28.5$ [$\phi=1.12$]

46.0 [1.813] 46.0 [1.813]

2 1/2" KNOCKOUTS $\phi=22.5$ [$\phi=0.89$]

This data sheet is for reference only .GARVIN INDUSTRIES reserves the right to make changes to the design without prior notice.

DESCRIPTION
TRADE REFERENCE TERMS

STANDARD PACKING
20 PCS

GARVIN INDUSTRIES			
3-GANG SWITCH BOX 2-1/8" DEEP			
TITLE	SIZE	DWG NO.	REV
	A4	MGSB-3	D
DATA SHEET			