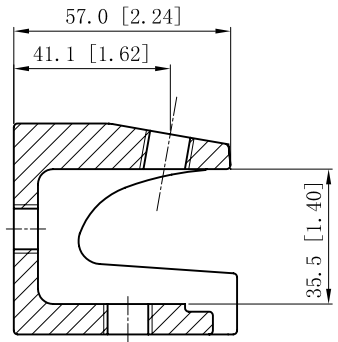
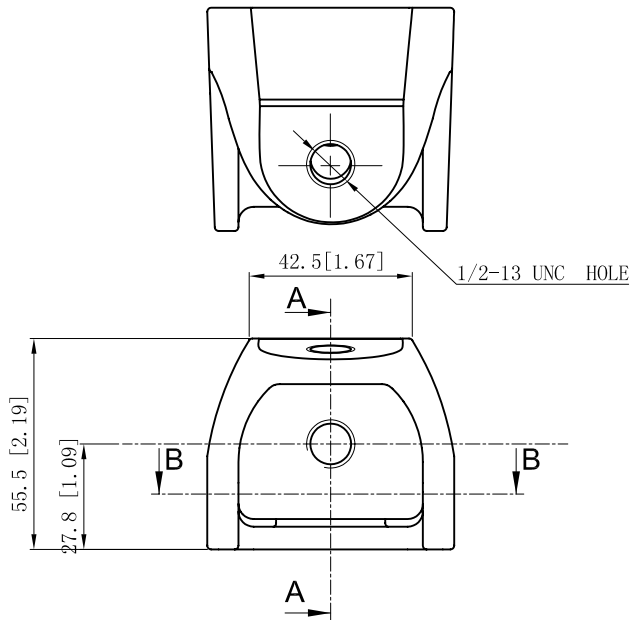
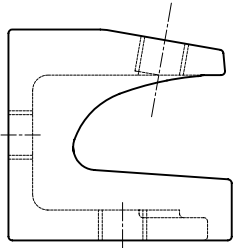
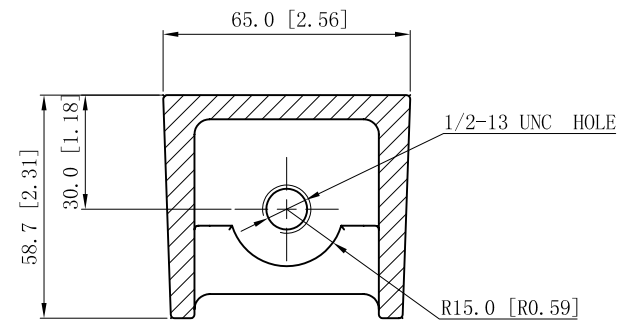
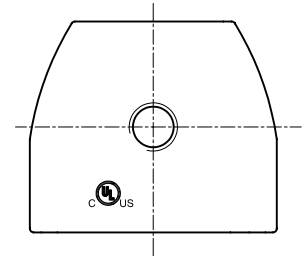


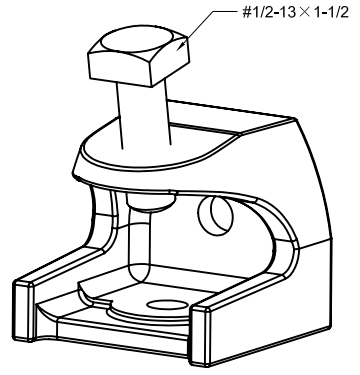
SIDES	BOTTOM
1 PCS 1/2-13×1 1/2 Screws Installed	
Material:Steel-Malleable Casting Galvanized	



VIEW A-A



VIEW B-B



This data sheet is for reference only .GARVIN INDUSTRIES reserves the right to make changes to the design without prior notice.

DESCRIPTION
TRADE REFERENCE TERMS

STANDARD PACKING
10 PCS

GARVIN INDUSTRIES			
TITLE MALLEABLE IRON BEAM CLAMPS			
SIZE A4	DWG NO.	MBC-1213	REV B
DATA SHEET			