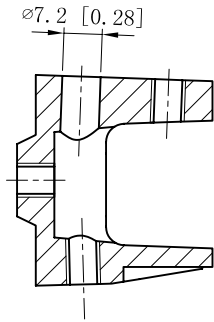
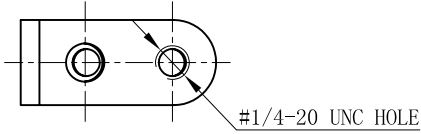
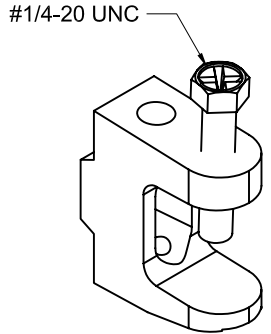
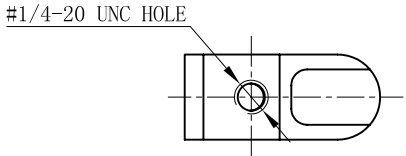
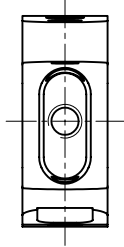
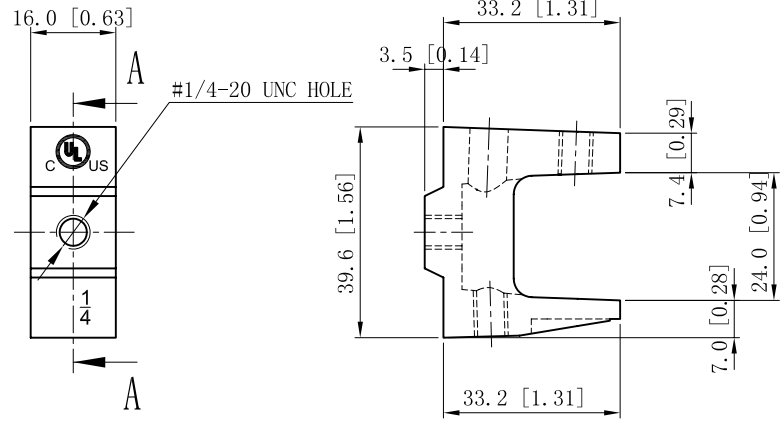


SIDES	BOTTOM
1 PCS 1/4-20×1 1/4 Screws Installed	
Material:Steel-Malleable Lron 32510 Sandblast	



CUTAWAY VIEW A-A



This data sheet is for reference only .GARVIN INDUSTRIES reserves the right to make changes to the design without prior notice.

DESCRIPTION
TRADE REFERENCE TERMS

STANDARD PACKING
50 PCS

GARVIN INDUSTRIES		
TITLE PIPE-FITTERS TOP BEAM CLAMP		
SIZE A4	DWG NO. JFC-1420	REV A
DATA SHEET		