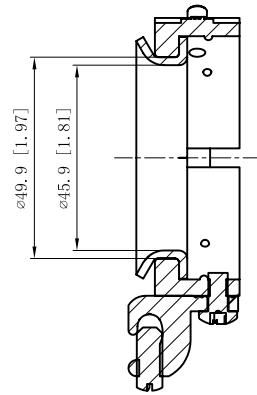
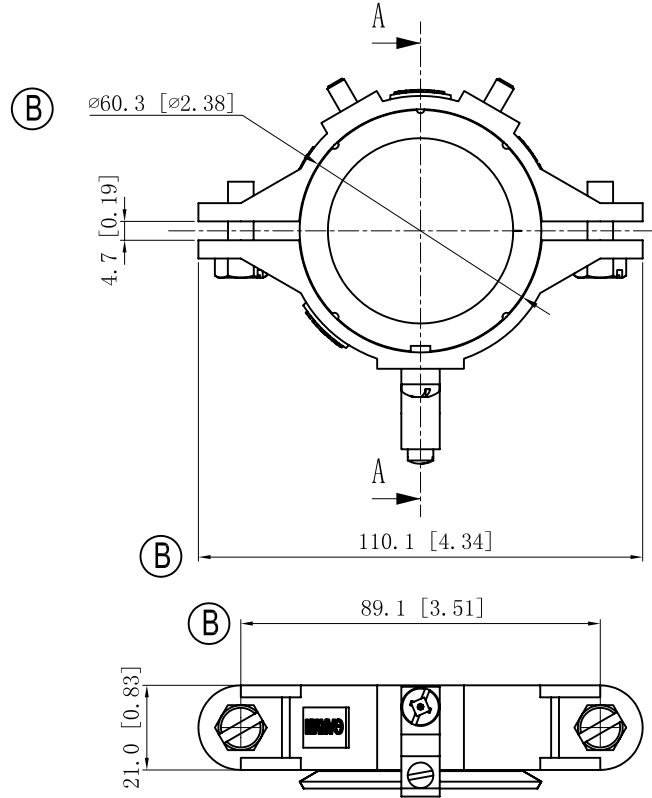
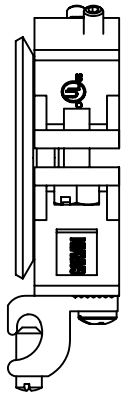
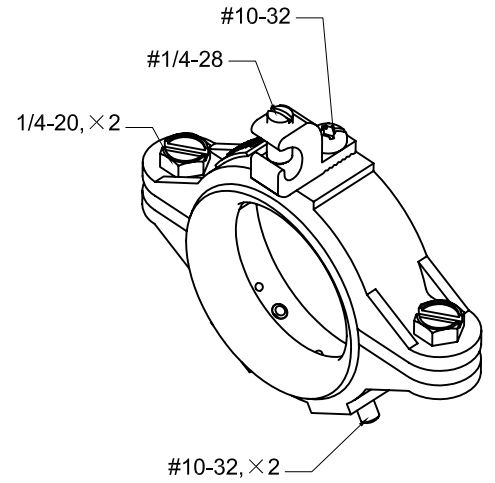


SIDES	BOTTOM
1 PCS 10-32×3/8 Screws Installed	
1 PCS 1/4-28×5/8 Screws Installed	
2 PCS 1/4-20×3/4 Screws Installed	
2 PCS #10-32×1/2 Set Screws Installed	
1 set split bushing pack in poly-bag	
Material: Zamak-ZAMAK 3	



CUTAWAY VIEW A-A



DESCRIPTION
Patent Pending
TRADE REFERENCE TERMS

STANDARD PACKING
25 PCS

This data sheet is for reference only .GARVIN INDUSTRIES reserves the right to make changes to the design without prior notice.			
<b>GARVIN INDUSTRIES</b>			
TITLE <b>GROUND CHOKE</b>			
SIZE A4	DWG NO.	GCHK-200	REV E
DATA SHEET			