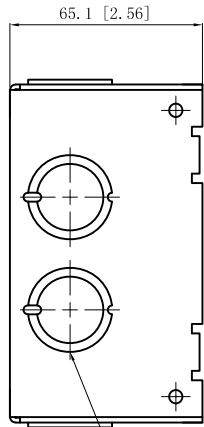
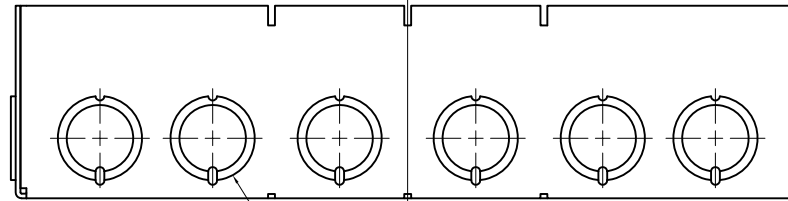
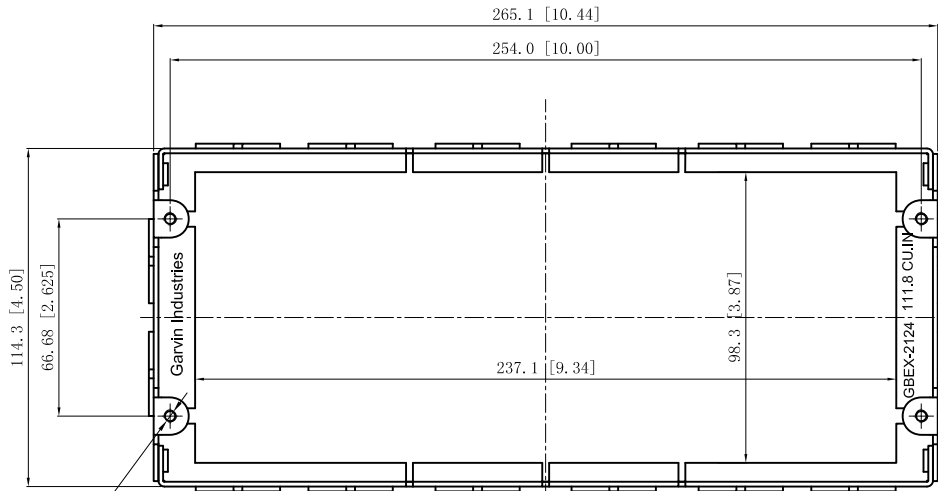


SIDES	BOTTOM
16 1/2"-3/4" KNOCKOUTS	
4 PCS 8-32×1/2 Screws Installed	
Material:Steel-0.0625"-G60 Galvanized	

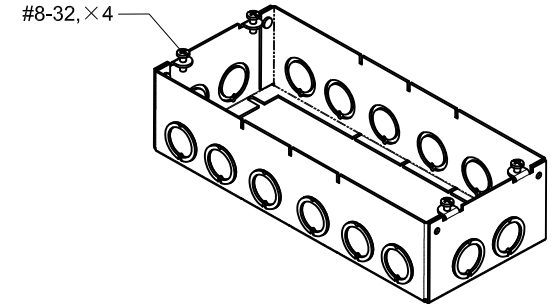


4 1/2"-3/4" KNOCKOUTS $\phi=22.5[\phi=0.89]$
 $\phi=28.5[\phi=1.12]$ MIRROR

4-#8-32 UNC HOLE



12 1/2"-3/4" KNOCKOUTS $\phi=22.5[\phi=0.886]$
 $\phi=28.5[\phi=1.122]$ MIRROR



DESCRIPTION
TRADE REFERENCE TERMS

This data sheet is for reference only .GARVIN INDUSTRIES reserves the right to make changes to the design without prior notice.

STANDARD PACKING	GARVIN INDUSTRIES		
20 PCS	TITLE 2-1/2" DEEP MULTI-GANG BOXES		
	SIZE A4	DWG NO. GBEX-2124	REV
	DATA SHEET		