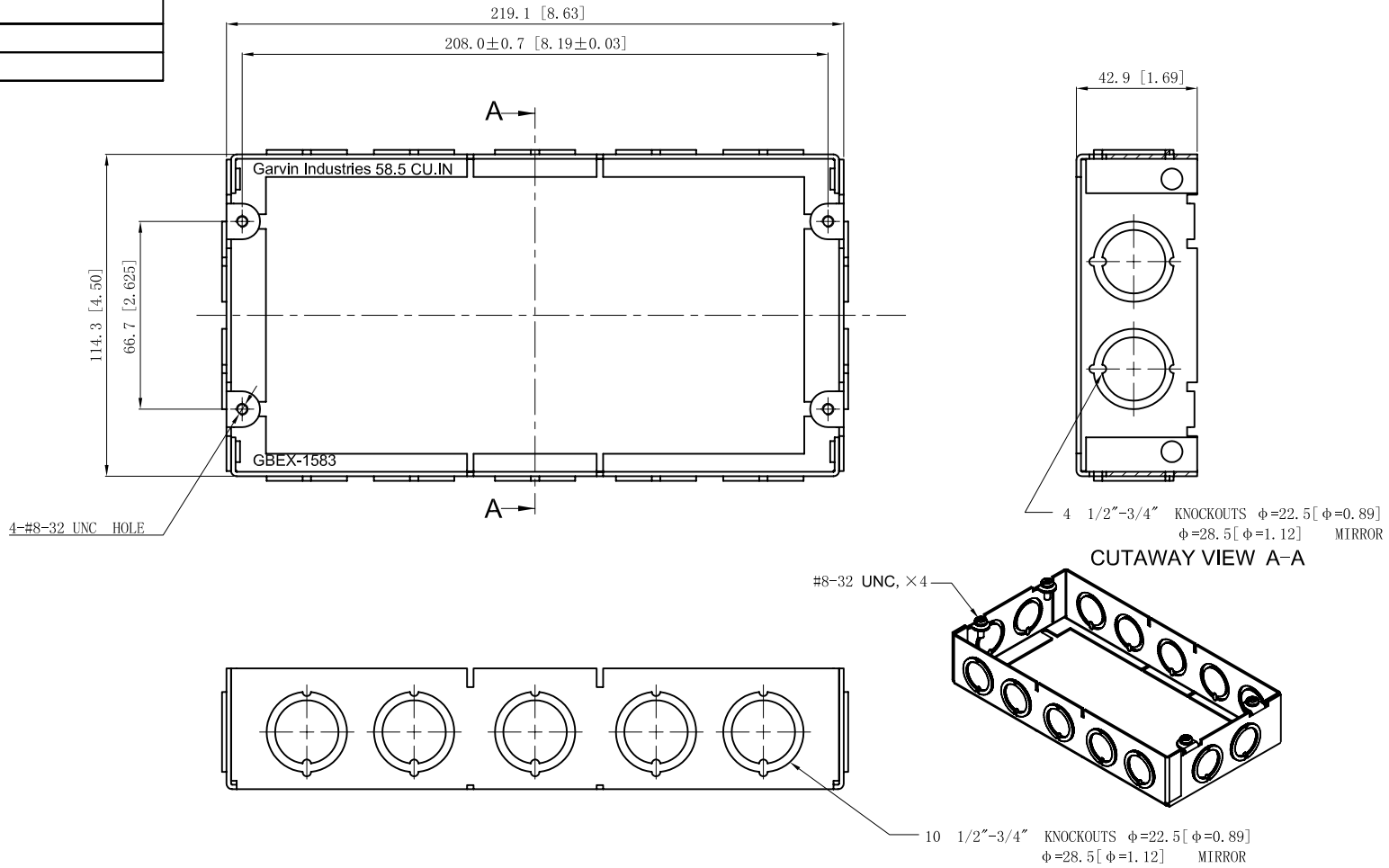


SIDES	BOTTOM
14 1/2"-3/4" KNOCKOUTS	
4 PCS 8-32×1/2 Screws Installed	
Material:Steel-0.0625"-G60 Galvanized	



DESCRIPTION
TRADE REFERENCE TERMS

This data sheet is for reference only .GARVIN INDUSTRIES reserves the right to make changes to the design without prior notice.

STANDARD PACKING	GARVIN INDUSTRIES		
20 PCS	TITLE 1-5/8" DEEP MULTI-GANG BOXES EXTENSION RIGS		
	SIZE A4	DWG NO. GBEX-1583	REV A
	DATA SHEET		