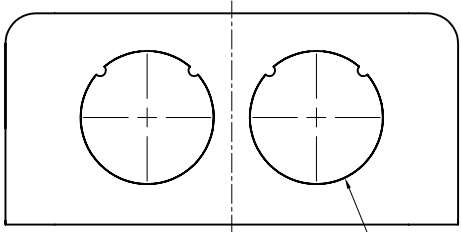
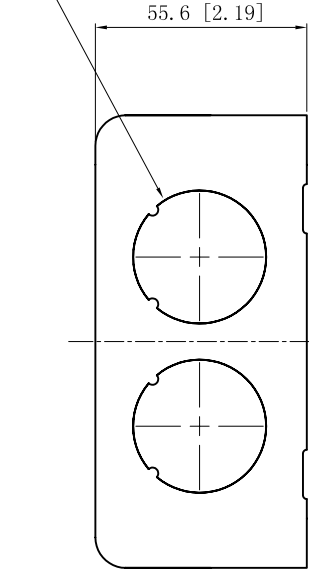
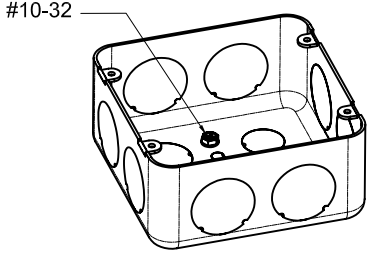


SIDES	BOTTOM
8 1" KNOCKOUTS	6 KNOCKOUTS
	3 1/2" KNOCKOUTS
	2 3/4" KNOCEOUTS
1 Pcs #10-32×3/8 screw install	
Material:Steel-0.0625"-G60 Galvanized	

4×1"KNOCKOUTS $\phi=35.00$ [$\phi=1.378$]
MIRROR

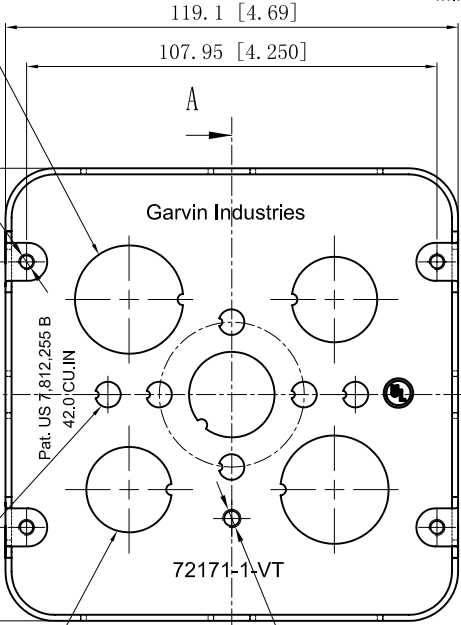


4×1"KNOCKOUTS $\phi=35.0$ [$\phi=1.378$]
MIRROR



2×3/4"KNOCKOUTS $\phi=28.50$ [$\phi=1.122$]

4-#8-32 UNC HOLE

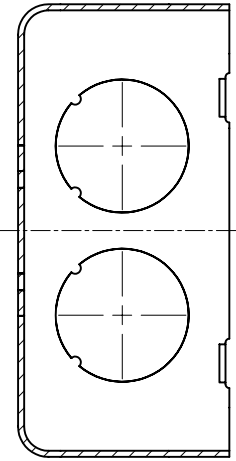


6×KNOCKOUTS $\phi=6.75$ [$\phi=0.267$]

3×1/2"KNOCKOUTS $\phi=22.50$ [$\phi=0.886$]

A

#10-32 UNF HOLE



CUTAWAY VIEW A-A

DESCRIPTION
Patent #: Pat. US 7,812,255 B
TRADE REFERENCE TERMS

This data sheet is for reference only.GARVIN INDUSTRIES reserves the right to make changes to the design without prior notice.

STANDARD PACKING	GARVIN INDUSTRIES		
	TITLE 4-11/16" SQUARE "DRAWN" BOXES (2-1/8"DEEP)		
25 PCS	SIZE A4	DWG NO. 72171-1-VT	REV F
	DATA SHEET		