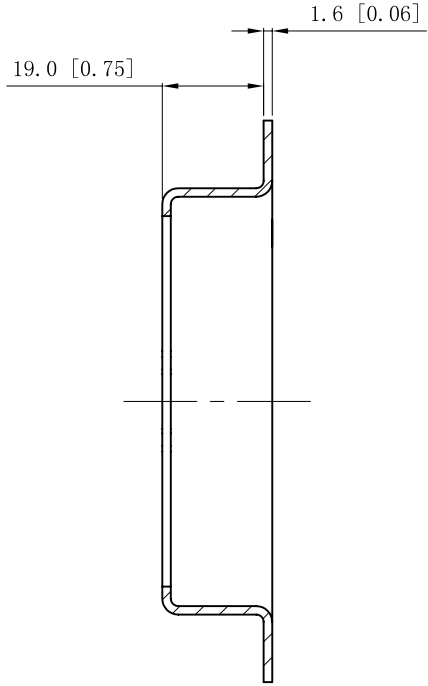
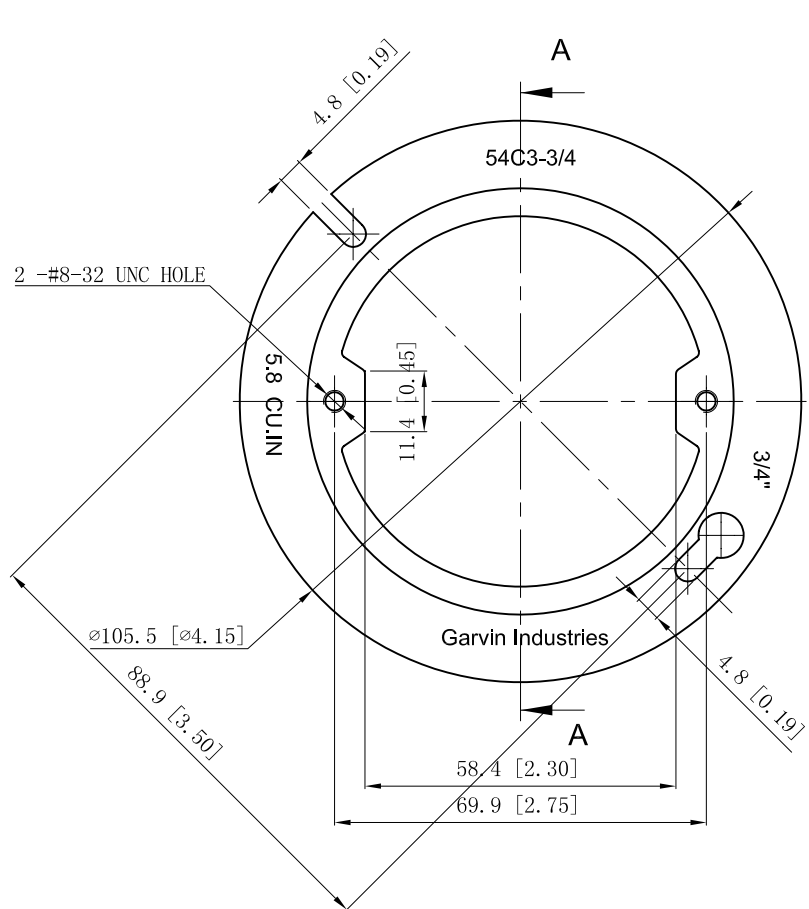


SIDES	BOTTOM

Material: Steel-0.0625"-(G60 or C. R. S) Galvanized



VIEW A-A



This data sheet is for reference only .GARVIN INDUSTRIES reserves the right to make changes to the design without prior notice.

DESCRIPTION
TRADE REFERENCE TERMS

STANDARD PACKING
25 PCS

<b>GARVIN INDUSTRIES</b>		
TITLE 4"OCTAGON BOX COVERS		
SIZE A4	DWG NO. 54C3-3/4	REV A
DATA SHEET		