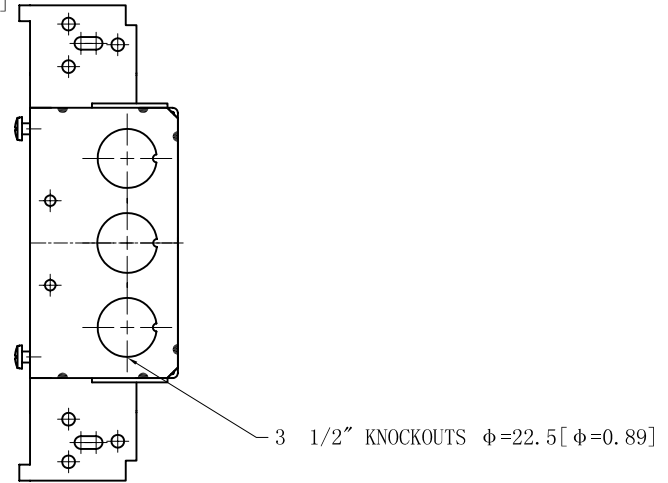
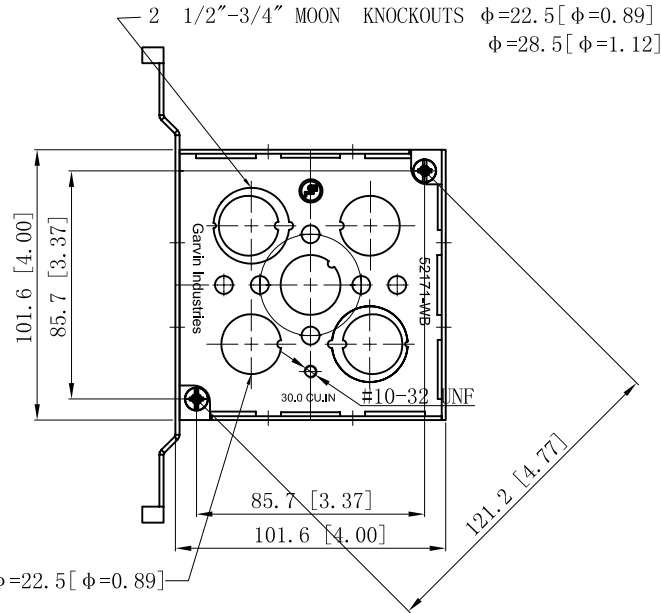
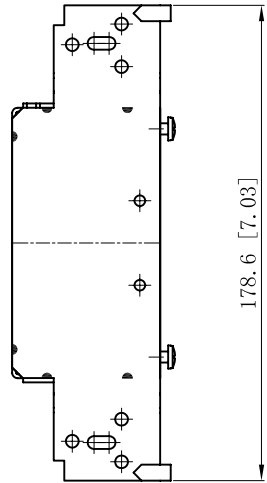
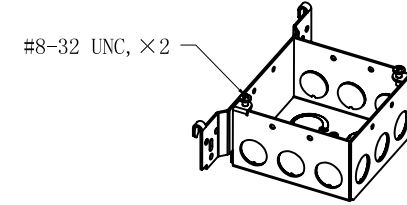
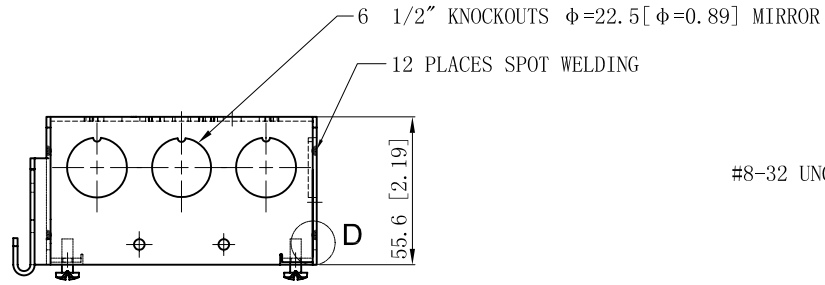


SIDES	BOTTOM
9 1/2" KNOCKOUTS	3 1/2" KNOCKOUTS
	2 1/2"-3/4" MOON KNOCKOUTS
2 PCS 8-32X1/2 Screws Installed	
Material: Steel-0.0625"-G60 Galvanized	



WELDING STYLE DETAIL VIEW D



3 1/2" KNOCKOUTS $\phi=22.5$ [$\phi=0.89$]

This data sheet is for reference only .GARVIN INDUSTRIES reserves the right to make changes to the design without prior notice.

DESCRIPTION
TRADE REFERENCE TERMS

STANDARD PACKING
25 PCS

GARVIN INDUSTRIES		
TITLE 4" SQUARE BRACKET BOXES (2-1/8" DEEP)		
SIZE	DWG NO.	REV
	52171-SWB	C
DATA SHEET		