

Radiant Stack Light

Configurable to fit every need

The Radiant modular stack light allows for up to 7 light modules; 6 light modules and 1 sound module (1 channel); or 5 light modules and 1 sound module (2 channels).

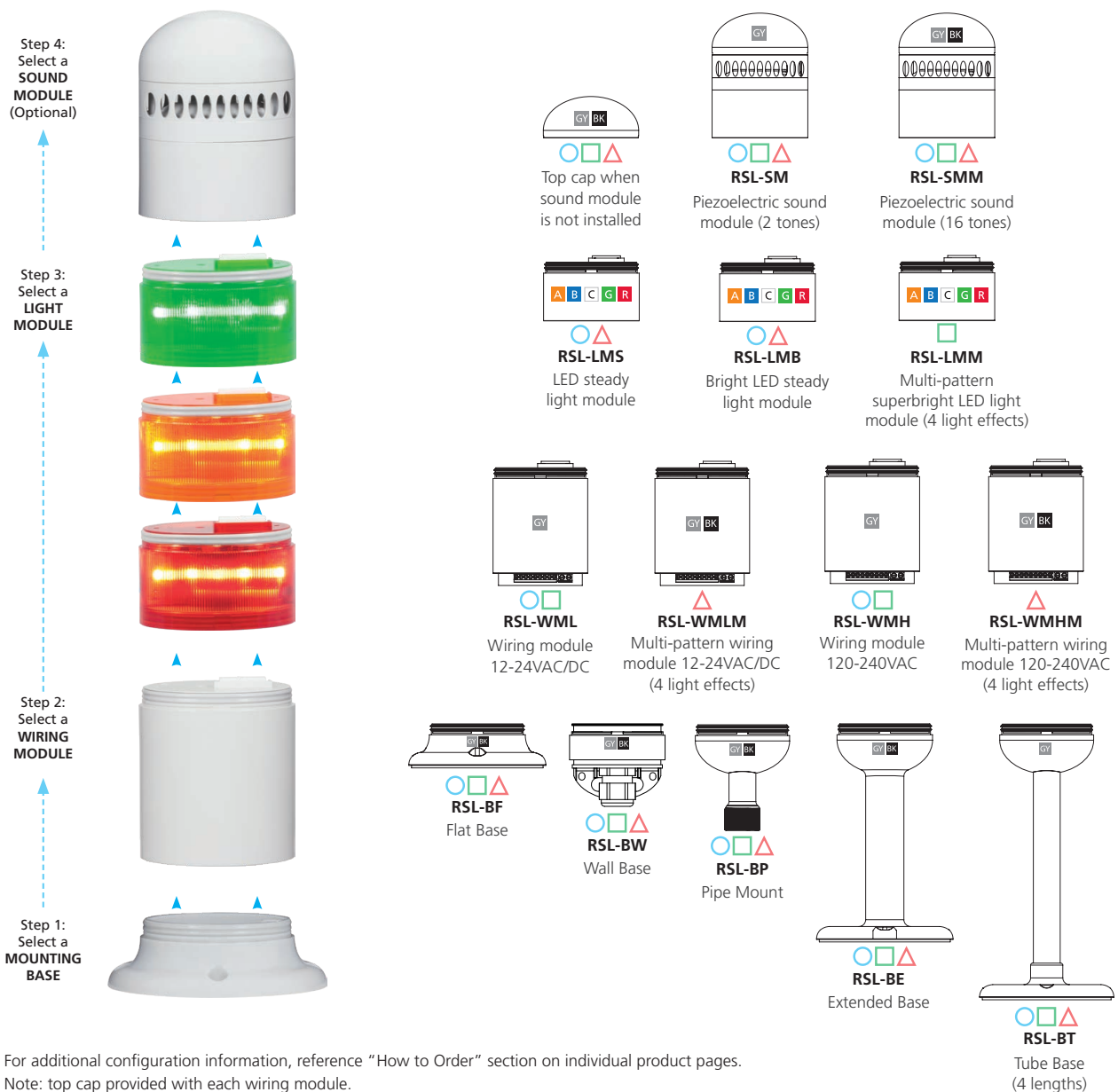


How to Configure Your Stack Light

Follow the to configure a *steady* stack light.

Follow the to configure a *flashing* stack light with *flashing controls in the light module*.

Follow the to configure a *flashing* stack light with *flashing controls in the wiring module*.



For additional configuration information, reference "How to Order" section on individual product pages.
 Note: top cap provided with each wiring module.

Model RSL-B

Radiant Mounting Options

Five base options allow for mounting flexibility

Flat Base – Designed for flat surface mounting when cabling from the bottom of the device and a compact design is needed.


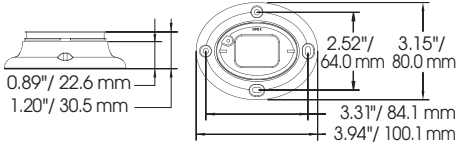

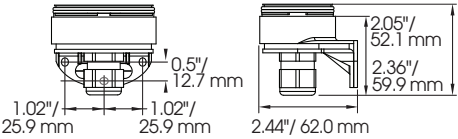
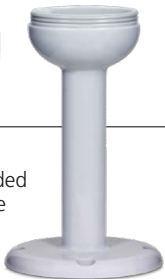
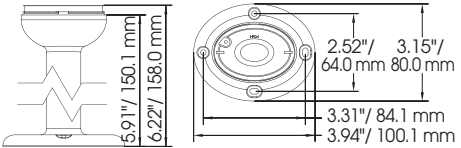

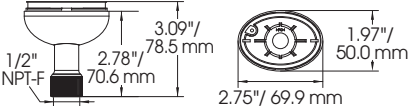
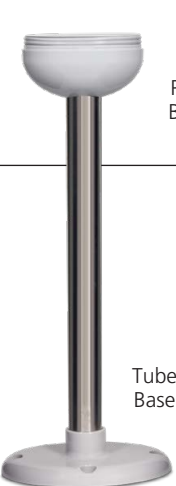
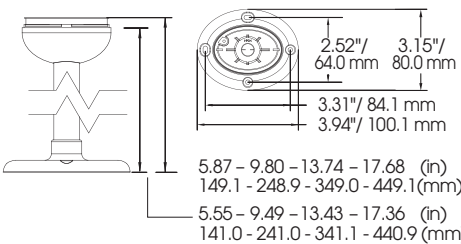
Wall Base – Designed for lateral or wall mounting.

Extended Base – Designed for mounting on a flat surface. Allows for an additional lift of 3.94" (100 mm).

Pipe Base – Designed for installation on a 1/2" NPT pipe.

Tube Base – Designed for flat surface mounting, featuring a stainless steel extension tube when a higher profile design is needed. Lengths available: 5.55" (141mm), 9.49" (241mm), 13.43" (341mm) and 17.36" (441mm).

HOW TO ORDER

	Model Number	Base Color	Weight	
 <p>Flat Base</p>	RSL-BF-GY	Gray	1.76 oz 0.05 kg	
	RSL-BF-BK	Black		
 <p>Wall Base</p>	RSL-BW-GY	Gray	2.12 oz 0.06 kg	
	RSL-BW-BK	Black		
 <p>Extended Base</p>	RSL-BE-GY	Gray	2.50 oz 0.07 kg	
	RSL-BE-BK	Black		
 <p>Pipe Base</p>	RSL-BP-GY	Gray	2.82 oz 0.08 kg	
	RSL-BP-BK	Black		
 <p>Tube Base</p>	RSL-BT1-GY 5.55" / 141.0 mm	Gray	3.53 oz 0.10 kg	
	RSL-BT2-GY 9.49" / 241.0 mm		4.94 oz 0.14 kg	
	RSL-BT3-GY 13.43" / 341.1 mm		6.35 oz 0.18 kg	
	RSL-BT4-GY 17.36" / 440.9 mm		7.76 oz 0.22 kg	