



► Model L

General Alarm Electro-Mechanical Siren

Model L is a general-purpose electro-mechanical siren that produces a distinctive sound and tonal quality for industrial applications. It has a low maximum pitch which provides excellent contrast to industrial ambient noise. Introduced in 1946, the Model L is still used today in many rugged and extreme environments and applications.

The fractional horsepower motor on Model L drives a ported aluminum rotor within the specially designed stator to produce a unique sound. The recommended duty cycle is five minutes on/five minutes off.

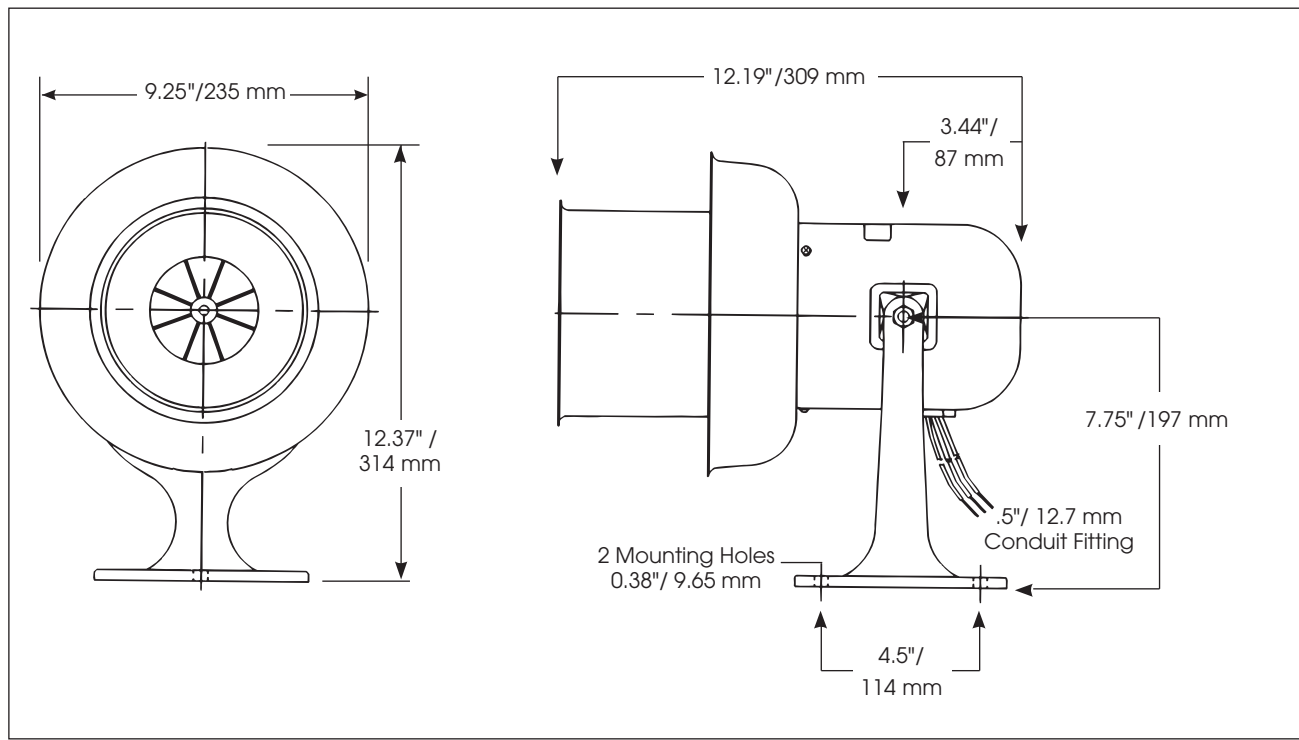
Model L's metal housing is sealed with red powder coat for an attractive appearance and superior corrosion-resistance. The swivel mount bracket accommodates wall and surface mount installations.

FEATURES

- Range of up to 200 feet
- Coded or sustained tones
- Available in – 120 and 240VAC/DC
- Produces 112 dBa @ 10' (122 dBa @ 1m)
- Type 3R enclosure
- Wall or surface mount via the integral swivel bracket

MODEL	VOLTAGE	OPERATING CURRENT	DECIBELS		FREQUENCY
			10'	1M	
L-120	120VAC/DC	1.95 amps	112	122	700Hz
L-240	240VAC/DC	1.0 amps	112	122	700Hz

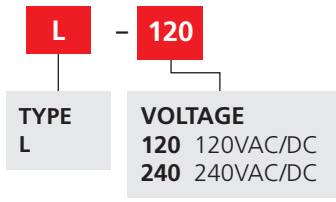
General Alarm Electro-Mechanical Siren (L)



SPECIFICATIONS

Voltages:	120VAC/DC or 240VAC/DC	
Motor:	Universal	
Net Weight:	12.0 lbs	5.4 kg
Shipping Weight:	14.2 lbs	6.4 kg
Width:	9.25"	235.0 mm
Length:	12.19"	309.0 mm
Height:	12.37"	314.0 mm

HOW TO ORDER



REPLACEMENT PARTS

Description	Part Number
Motor and Rotor Service Kit – 120VAC/DC	K82831051A
Motor and Rotor Service Kit – 240VAC/250VDC	K8283A700